

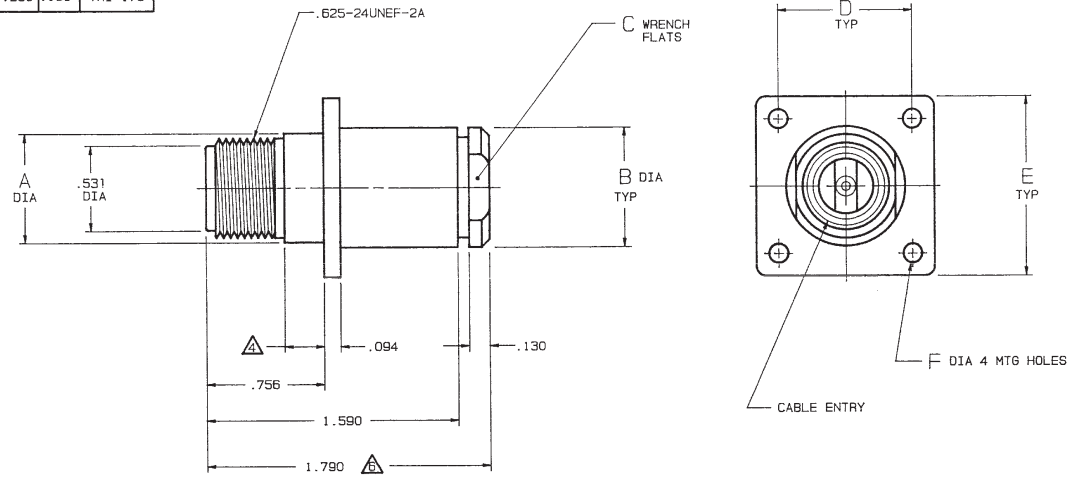
RED INDICATES ORIGINAL

DISK # H6 DATA CONTAINED IN THIS DOCUMENT IS PROPRIETARY TO TROMPETER ELECTRONICS, INC. AND SHALL NOT BE DISCLOSED, COPIED OR USED FOR PROCUREMENT OR MANUFACTURE WITHOUT EXPRESS WRITTEN PERMISSION.

REVISONS			3-0261	SH 1	
REV	EO	DESCRIPTION	DWN	APPROVED	DATE
E	8530	REV BOM AND TAI ON -7,-8,-13,-13A,-14,-14A,-15,-26,-32,-42,-61 AND -62 & REDRAWN	DJK	<i>[Signature]</i>	7-25-89

DASH NO	CABLES ACCOMMODATED	A DIA	B DIA	C FLATS	D DIM	E DIM	F DIA	ASSEMBLE PER
-7	TRC-50-2/TRC-75-2							TAI-175
-8	8227 BELDEN							
-9	TWC-78-2, RG-108 TWC-124-2							TAI-116
-10	754E W.E.CO., RG-122							
-11	760A W.E.CO.	.685	.750	.625	.844	1.125	.120	
-12	16 PEVL W.E.CO.							TAI-131
-13	TRF-59 TIMES							
-13A	8232 BELDEN							
-14	21-529 ESSEX 8233 BELDEN							TAI-175
-14A	TRC-50-4A							
-15	21-583 ESSEX	.933	.995	.875	.920	1.250	.150	
-16	21-950 ESSEX							TAI-116
-26	275-3962 MICRODOT							TAI-175
-29	TWC-124-1A							TAI-116
-32	TRC-50-1	.685	.750	.625	.844	1.125	.120	TAI-175
-42	21-204 ESSEX							TAI-116
-46	9860 BELDEN							
-54	89207 BELDEN							TAI-116
-61	5012W5812, RAYCHEM	.933	.995	.875	.920	1.250	.150	TAI-175
-62	7518A0811 RAYCHEM							

INCH	MM
.005	0.13
.094	2.39
.120	3.05
.130	3.30
.150	3.81
.250	6.35
.391	10.49
.625	15.88
.685	17.40
.750	19.05
.756	19.20
.844	21.44
.875	22.23
.820	20.97
.933	23.70
.995	25.27
1.125	28.58
1.250	31.75
1.590	40.39
1.790	45.47



-10 SHOWN

- △ DIM IS MAX WHEN ASSEMBLED TO CABLE
- 5. THREADED CONCENTRIC TWINAX/TRIAX "C" STYLE BULKHEAD FLANGE MOUNT CABLE RECEPTACLE W/PIN CENTER CONTACT
- △ MAX PANEL THK .250
- 3. INTERFACE: TCS-BJ80
- 2. FINISH: TFS-1A (NICKEL)
- 1. ALL DIM ARE IN INCHES

QTY	DESCRIPTION	PART NUMBER	ITEM
TOL UNLESS SPECIFIED .XX ± .XXX ± .005 .XXXX ± ANGLES	TROMPETER ELECTRONICS, INC.	BJ389F	
DWN DJK 6/13/89	MATERIAL	CODE IDENT	DRAWING NO.
CHK DJK 7/17/89		14949	3-0261
ENGR DJK 7/19/89			REV E
NEXT ASSY	APPR DJK 7/19/89	SCALE 2/1	DATE 6/25/84 SHEET 1 OF 2