

# 24×48 dot matrix unit

## LPM-1153MU300

The LPM-1153MU300 is a 24×48 dot matrix display which can be used in a wide range of applications, including alphabet, numeric, symbol and graphical displays. A large display can be easily created by arranging a number of these dot matrix displays in an array, and they can be applied to a variety of display purposes. A custom LSI controller has display data memory for two screens, and data for each screen can be written and displayed in turn.

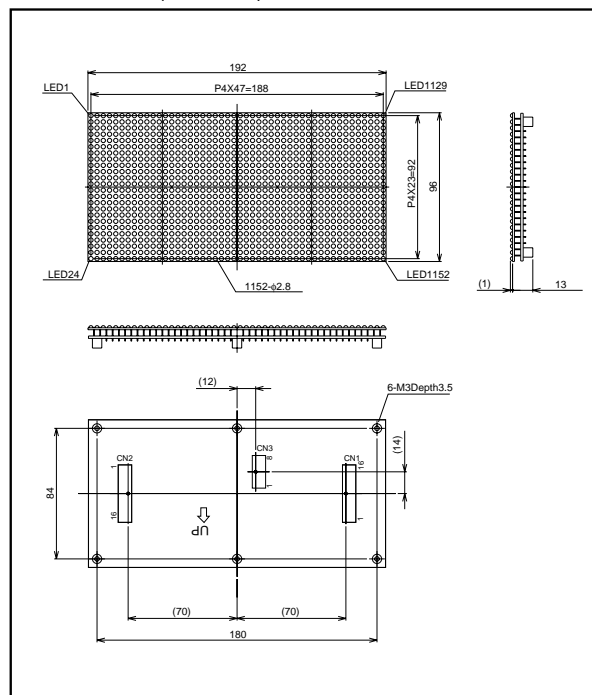
### ●Applications

For information boards at stations,  
bus terminals and airports.  
For message board

### ●Features

- 1) 24×48 dot matrix.  
Dot size :  $\phi 2.8$ mm
- 2) Dimensions : 96mm×192mm
- 3) High-contrast & Wide-viewing display by  
Potting lens technology (Rohm original)
- 4) Supports Three-colors (red, green, orange)
- 5) 1/24 duty dynamic scan method.
- 6) Wide viewing angle ( $2\theta_{1/2}=140$  degrees)
- 7) 4-level brightness control function is built  
in.

### ●Dimensions (Unit : mm)



### ●Product Specifications

Part No.	Emitting surface size (mm)	Display	Emitting color	Wavelength (nm)	Dot size (mm)	Dot pitch (mm)	Number of dots (dot)	Control		LED		Brightness (cd/m <sup>2</sup> )	Operating freq. (MHz)	Drive type
								V <sub>DD</sub> (V)	I <sub>CC1</sub> Max. (mA)	V <sub>LED</sub> (V)	I <sub>CC2</sub> Max. (A)			
LPM-1153MU300	96×192	Potting lens	Red	624	φ2.8	4	24×48	5	40	5	6.0	300	20 (Max.)	1/24 duty (Memory type)
			Green	571								300		

### Notes

- No technical content pages of this document may be reproduced in any form or transmitted by any means without prior permission of ROHM CO.,LTD.
- The contents described herein are subject to change without notice. The specifications for the product described in this document are for reference only. Upon actual use, therefore, please request that specifications to be separately delivered.
- Application circuit diagrams and circuit constants contained herein are shown as examples of standard use and operation. Please pay careful attention to the peripheral conditions when designing circuits and deciding upon circuit constants in the set.
- Any data, including, but not limited to application circuit diagrams information, described herein are intended only as illustrations of such devices and not as the specifications for such devices. ROHM CO.,LTD. disclaims any warranty that any use of such devices shall be free from infringement of any third party's intellectual property rights or other proprietary rights, and further, assumes no liability of whatsoever nature in the event of any such infringement, or arising from or connected with or related to the use of such devices.
- Upon the sale of any such devices, other than for buyer's right to use such devices itself, resell or otherwise dispose of the same, no express or implied right or license to practice or commercially exploit any intellectual property rights or other proprietary rights owned or controlled by
- ROHM CO., LTD. is granted to any such buyer.
- Products listed in this document are no antiradiation design.

The products listed in this document are designed to be used with ordinary electronic equipment or devices (such as audio visual equipment, office-automation equipment, communications devices, electrical appliances and electronic toys).

Should you intend to use these products with equipment or devices which require an extremely high level of reliability and the malfunction of which would directly endanger human life (such as medical instruments, transportation equipment, aerospace machinery, nuclear-reactor controllers, fuel controllers and other safety devices), please be sure to consult with our sales representative in advance.

It is our top priority to supply products with the utmost quality and reliability. However, there is always a chance of failure due to unexpected factors. Therefore, please take into account the derating characteristics and allow for sufficient safety features, such as extra margin, anti-flammability, and fail-safe measures when designing in order to prevent possible accidents that may result in bodily harm or fire caused by component failure. ROHM cannot be held responsible for any damages arising from the use of the products under conditions out of the range of the specifications or due to non-compliance with the NOTES specified in this catalog.

Thank you for your accessing to ROHM product informations.

More detail product informations and catalogs are available, please contact your nearest sales office.

**ROHM** Customer Support System

THE AMERICAS / EUROPE / ASIA / JAPAN

[www.rohm.com](http://www.rohm.com)

Contact us : [webmaster@rohm.co.jp](mailto:webmaster@rohm.co.jp)