

3-1437356-0 ✓ ACTIVE

MADISON CABLE

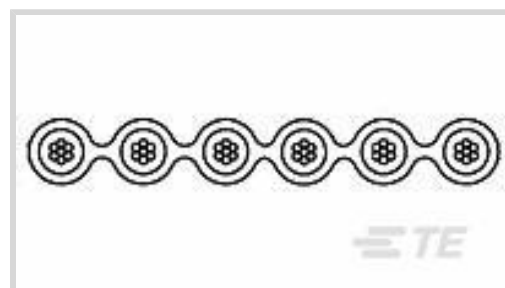
TE Internal #: 3-1437356-0

Ribbon & Flat Cable, 10 Conductor, PVC, Operating Temperature Range -20 – 105 °C, Ribbon & Flat Cable Length 328 ft [100 m], Blue, Tinned Copper

[View on TE.com >](#)



Wire & Cable > Ribbon & Flat Cable



Number of Ribbon & Flat Cable Conductors: **10**

Ribbon & Flat Cable Shielded: **No**

Ribbon & Flat Cable Insulation Material: **PVC**

Operating Temperature Range: **-20 – 105 °C**

Ribbon & Flat Cable Length: **100 m [328 ft]**

Features

Product Type Features

Product Category	Ribbon Cable
Product Type	Cable
Wire/Cable Type	Ribbon Cable
Product Classification	Cable - Flat Ribbon
Ribbon & Flat Cable Shielded	No

Configuration Features

Number of Ribbon & Flat Cable Conductors	10
Number of Strands	7

Electrical Characteristics

Propagation Delay	4.53 ns/m
Current Rating	2 A
Capacitance	46 pF/m[28 pF/ft]
Impedance	100 Ω
Ribbon & Flat Cable Voltage Rating	300 V

Signal Characteristics

Cross Talk (Far End)	6.7 %
Cross Talk (Near End)	5 %

Body Features



Jacket Color	Blue
Jacket Material	PVC
Ribbon & Flat Cable Insulation Material	PVC
Conductor Insulation Color	Blue
Ribbon & Flat Cable Conductor Material	Tinned Copper

Housing Features

Ribbon & Flat Cable Centerline	1.27 mm[.05 in]
--------------------------------	-----------------

Dimensions

Cable Insulation Height	.91 mm[.036 in]
Cable Insulation Width	12.7 mm[.5 in]
Ribbon & Flat Cable Length	100 m[328 ft]
Wire Size	.08 mm ²
Strand Size	36 AWG

Usage Conditions

Operating Temperature Range	-20 – 105 °C
-----------------------------	--------------

Industry Standards

Agency/Standard	UL
UL Listing	AWM Style 2651

Packaging Features

Packaging Method	Reel
Packaging Quantity	30.48 m[328.1 ft]

Product Compliance

[For compliance documentation, visit the product page on TE.com>](#)

EU RoHS Directive 2011/65/EU	Compliant
EU ELV Directive 2000/53/EC	Compliant
China RoHS 2 Directive MIIT Order No 32, 2016	No Restricted Materials Above Threshold
EU REACH Regulation (EC) No. 1907/2006	Current ECHA Candidate List: JUN 2020 (209) Candidate List Declared Against: JAN 2020 (205) Does not contain REACH SVHC
Halogen Content	Not Low Halogen - contains Br or Cl > 900 ppm.


Solder Process Capability

Not applicable for solder process capability

Product Compliance Disclaimer

This information is provided based on reasonable inquiry of our suppliers and represents our current actual knowledge based on the information they provided. This information is subject to change. The part numbers that TE has identified as EU RoHS compliant have a maximum concentration of 0.1% by weight in homogenous materials for lead, hexavalent chromium, mercury, PBB, PBDE, DBP, BBP, DEHP, DIBP, and 0.01% for cadmium, or qualify for an exemption to these limits as defined in the Annexes of Directive 2011/65/EU (RoHS2). Finished electrical and electronic equipment products will be CE marked as required by Directive 2011/65/EU. Components may not be CE marked. Additionally, the part numbers that TE has identified as EU ELV compliant have a maximum concentration of 0.1% by weight in homogenous materials for lead, hexavalent chromium, and mercury, and 0.01% for cadmium, or qualify for an exemption to these limits as defined in the Annexes of Directive 2000/53/EC (ELV). Regarding the REACH Regulation, the information TE provides on SVHC in articles for this part number is based on the latest European Chemicals Agency (ECHA) 'Guidance on requirements for substances in articles' posted at this URL: <https://echa.europa.eu/guidance-documents/guidance-on-reach>

Compatible Parts

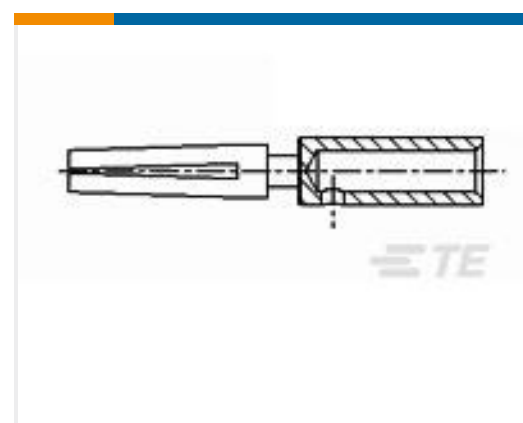


TE Model / Part # 1-1437356-8
171-09G=09P 28AWG S

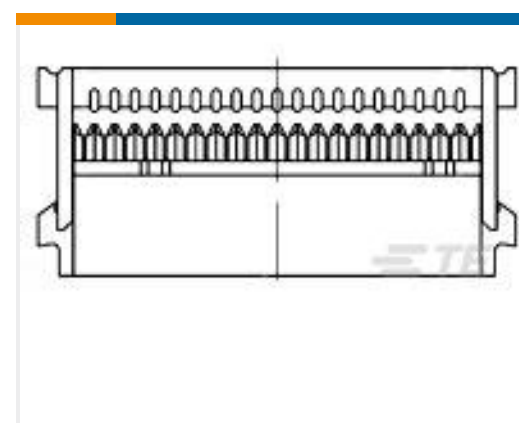
Customers Also Bought



TE Model / Part #1-1437719-1
T01-0540-P03-MALE PLUG CONNECTOR-CRIMP



TE Model / Part #5-1437720-7
T01-CRIMP-S05=TRIAD



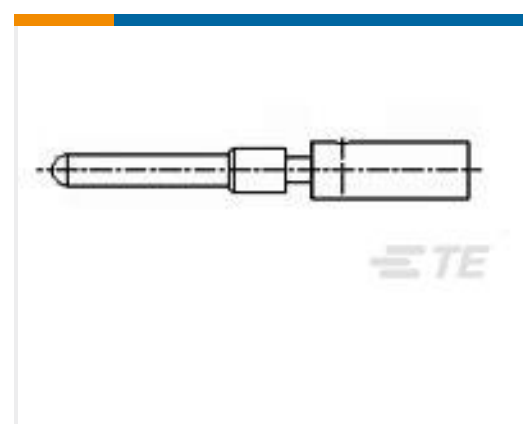
TE Model / Part #2-1658526-9
609-1630LF=FSKT IDC S 16 30AU



TE Model / Part #3-100103-4
34P.A/L.STRAIN REL.



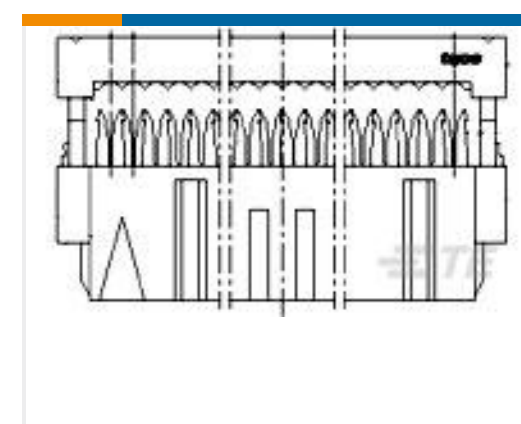
TE Model / Part #5-100103-0
50P.A/L.STRAIN REL.



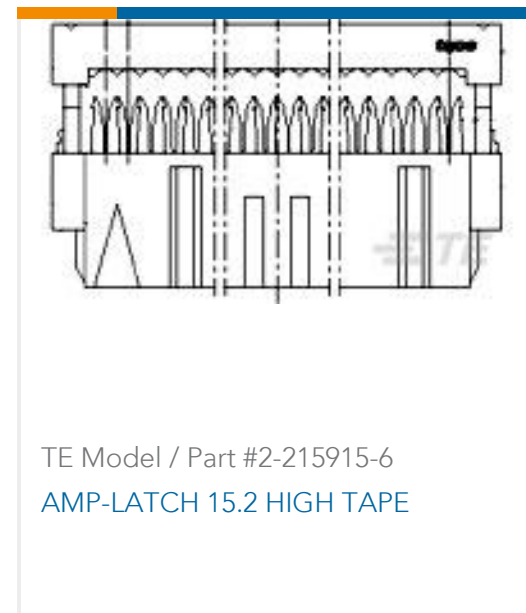
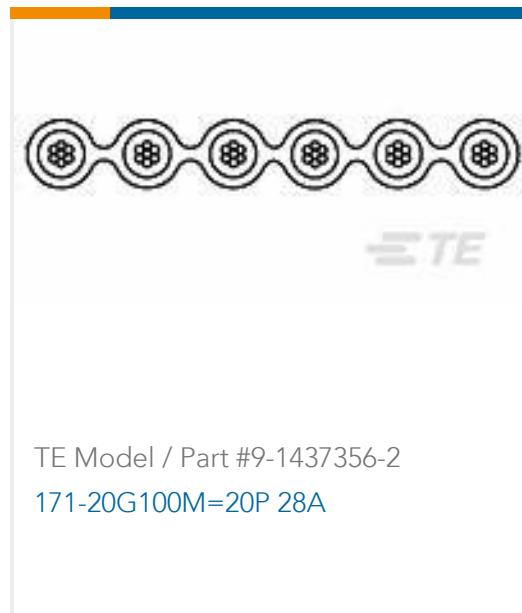
TE Model / Part #5-1437720-4
T01-CRIMP-P03



TE Model / Part #160831-3
PL REC 1.0-2.5 MM2 .0160 X 2.060 TPBR



TE Model / Part #1-215915-6
AMP-LATCH 15.2 HIGH TAPE



Documents

Product Drawings

171-10G100M=10P 28A

English

Product Environmental Compliance

Product Compliance

English

Product Compliance

English