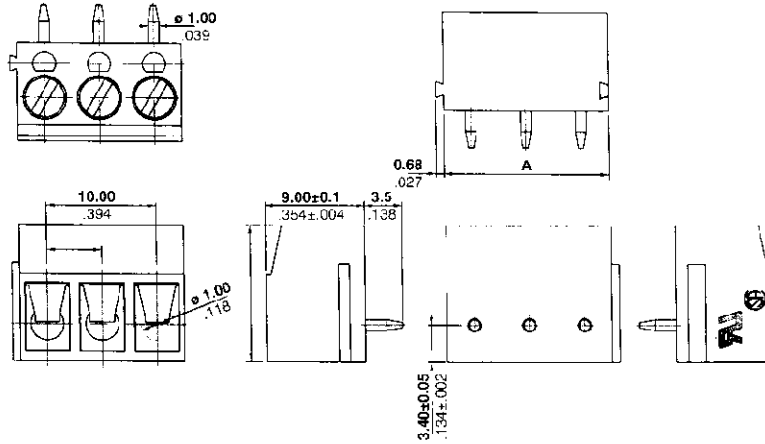


PCB MOUNT, STRAIGHT, TOP WIRE ENTRY CONNECTORS

**Terminal Block PCB Mount
Top Wire Entry
w/Interlock
5.0 mm Pitch (LT)
Color – Blue**

**UL Rating – 250 V, 10 A
14-22 AWG**

**Suggested Screw Torque—
4.0 in.-lbs.**



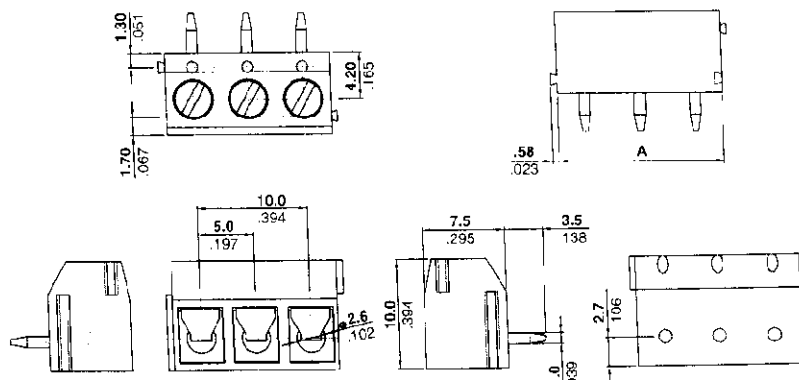
No. of Positions	Dim. A	Part Numbers
2	10.0 [0.394]	796419-2
3	15.0 [0.591]	796419-3
4	20.0 [0.787]	796419-4
5	25.0 [0.984]	796419-5
6	30.0 [1.181]	796419-6
7	35.0 [1.378]	796419-7
8	40.0 [1.575]	796419-8
9	45.0 [1.772]	796419-9
10	50.0 [1.968]	1-796419-0
11	55.0 [2.165]	1-796419-1
12	60.0 [2.362]	1-796419-2
13	65.0 [2.559]	1-796419-3

No. of Positions	Dim. A	Part Numbers
14	70.0 [2.756]	1-796419-4
15	75.0 [2.953]	1-796419-5
16	80.0 [3.150]	1-796419-6
17	85.0 [3.346]	1-796419-7
18	90.0 [3.543]	1-796419-8
19	95.0 [3.740]	1-796419-9
20	100.0 [3.937]	2-796419-0
21	105.0 [4.134]	2-796419-1
22	110.0 [4.331]	2-796419-2
23	115.0 [4.528]	2-796419-3
24	120.0 [4.724]	2-796419-4

**Terminal Block PCB Mount
Top Wire Entry
Low Profile w/Interlock
5.0 mm Pitch (LT)
Color – See chart.**

**UL Rating – 250 V, 10 A
14-22 AWG**

**Suggested Screw Torque—
4.5 in.-lbs.**



No. of Positions	Dim. A	Part No.	
		Blue	Green
2	10.0 [.394]	796420-2	796735-2
3	15.0 [.591]	796420-3	796735-3
4	20.0 [.787]	796420-4	796735-4
5	25.0 [.984]	796420-5	796735-5
6	30.0 [1.181]	796420-6	796735-6
7	35.0 [1.378]	796420-7	796735-7
8	40.0 [1.575]	796420-8	796735-8
9	45.0 [1.772]	796420-9	796735-9
10	50.0 [1.968]	1-796420-0	1-796735-0
11	55.0 [2.165]	1-796420-1	1-796735-1
12	60.0 [2.362]	1-796420-2	1-796735-2
13	65.0 [2.559]	1-796420-3	1-796735-3

No. of Positions	Dim. A	Part No.	
		Blue	Green
14	70.0 [.591]	1-796420-4	1-796735-4
15	75.0 [.787]	1-796420-5	1-796735-5
16	80.0 [.984]	1-796420-6	1-796735-6
17	85.0 [1.181]	1-796420-7	1-796735-7
18	90.0 [1.378]	1-796420-8	1-796735-8
19	95.0 [1.575]	1-796420-9	1-796735-9
20	100.0 [1.772]	2-796420-0	2-796735-0
21	105.0 [1.968]	2-796420-1	2-796735-1
22	110.0 [2.165]	2-796420-2	2-796735-2
23	115.0 [2.362]	2-796420-3	2-796735-3
24	120.0 [2.362]	2-796420-4	2-796735-4

Dimensions are shown for reference purposes only. Specifications subject to change.

Dimensions are in millimeters and inches unless otherwise specified. Values in brackets are metric equivalents.

Before ordering, see cross-reference starting on page 321 for equivalent Tyco Electronics part numbers.

If no equivalent part number is listed, contact Technical Support at 1-800-522-6752. www.tycoelectronics.com

Eurostyle