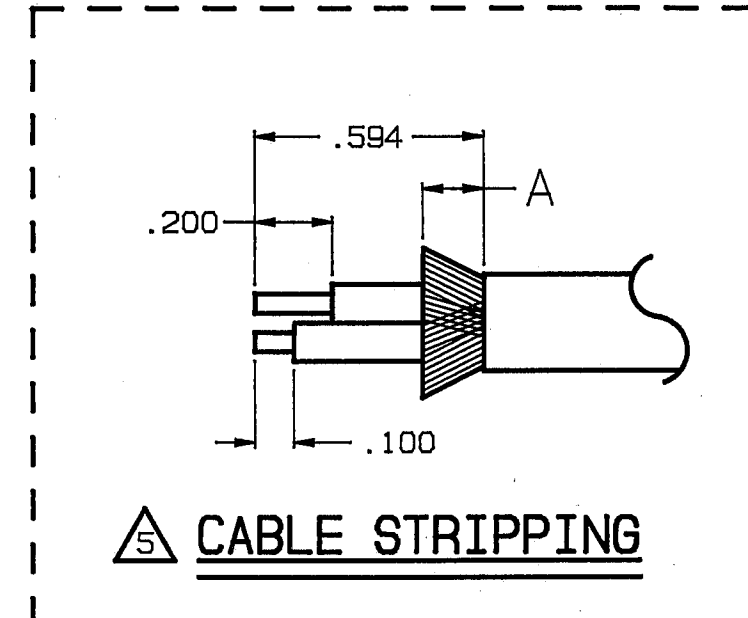
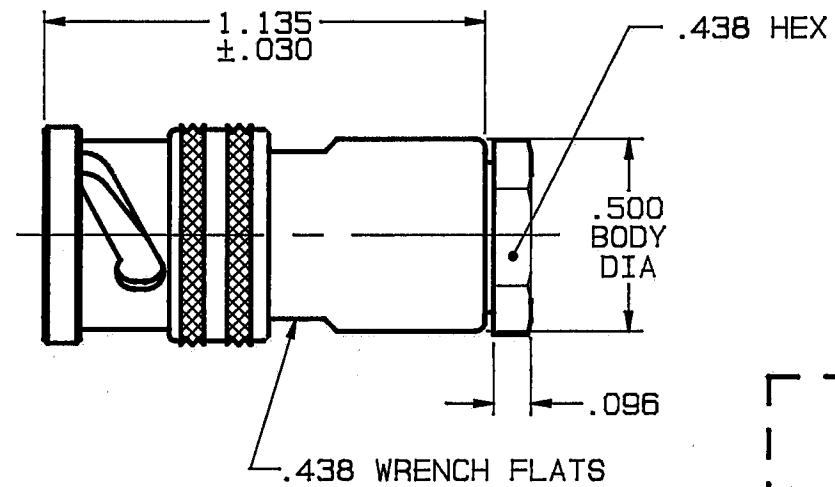
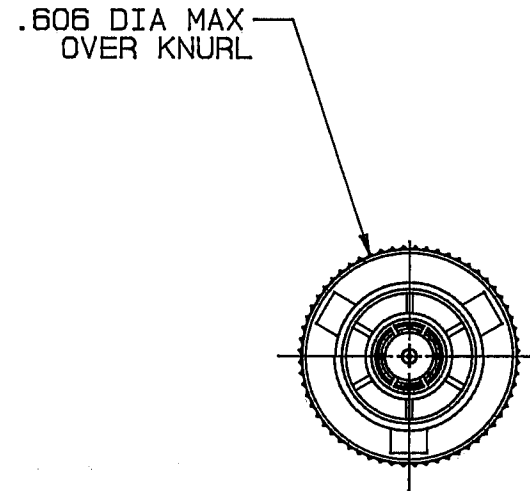


DISK #	DWG SIZE	DATA CONTAINED IN THIS DOCUMENT IS PROPRIETARY TO TROMPETER ELECTRONICS INC. AND SHALL NOT BE DISCLOSED, COPIED OR USED FOR PROCUREMENT OR MANUFACTURE WITHOUT EXPRESS WRITTEN PERMISSION.
J13	B	

REVISIONS			305-0076		SH 1
REV	EO	DESCRIPTION	DWN	APPROVED	DATE
J	9835	ADDED NOTE $\triangle 5$ AND $\triangle 5$ TO CABLE STRIPPING	DKC	<i>DKC</i>	7/3/92

DASH NO	BELL LABS NO	FOR CABLE NO	A DIM
-1	G376978	G376743-2	.156
-2	G376978-2	G376743-1	.062



$\triangle 5$ USE TAI-102, EXCEPT STRIP TO DIMENSIONS SHOWN

4. FINISH: TFS-1B, .000030

3. SPECIAL PLATING - CENTER PIN AND INNER SHIELD ONLY
 COPPER PLATE PER MIL-C-14550, CL.4.
 GOLD STRIKE PER MIL-G-45204, TYPE I, GR.A..
 GOLD PLATE PER MIL-G-45204, TYPE II, GR.C, CL.2.

2. MALE CONCENTRIC TWINAX CABLE PLUG

1. ALL DIM ARE IN INCHES

QTY	DESCRIPTION		PART NUMBER		ITEM
TOL UNLESS SPECIFIED	TROMPETER ELECTRONICS, INC.		PL75-G376743-1/-2		
.XX ±					
.XXX ± .005					
.XXXX ±					
ANGLES ±					
DWN	DKC	6-11-92	MATERIAL	CODE IDENT	DRAWING NO.
CHK	<i>DKC</i>	7-1-92	—	14949	305-0076
ENGR	—	—			REV
APPR	<i>DKC</i>	7/1/92	SCALE 2/1	DATE 1/21/72	J
NEXT ASSY			SHEET 1 OF 3		