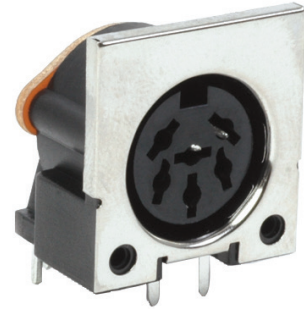
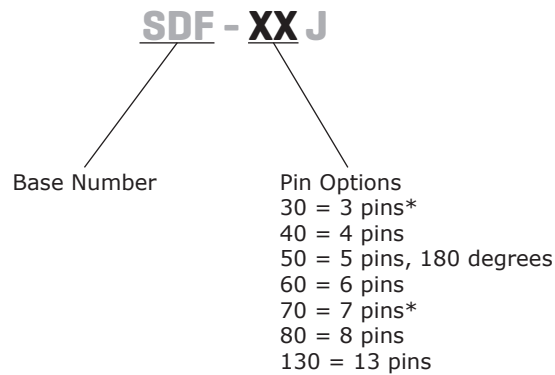


SERIES: SDF-J | **DESCRIPTION:** STANDARD DIN CONNECTOR**FEATURES**

- PCB mount
- front shielded
- right angle

**PART NUMBER KEY**

* Discontinued models SDF-30J & SDF-70J.

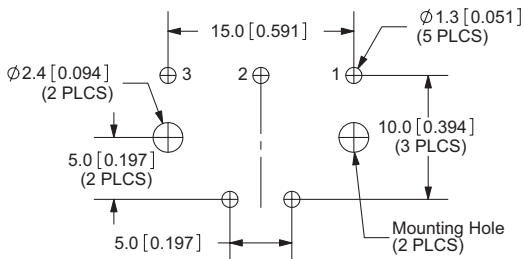
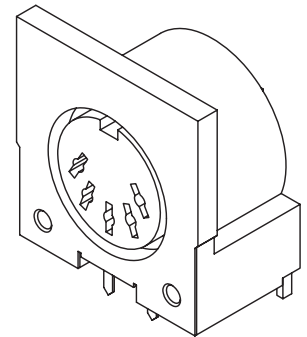
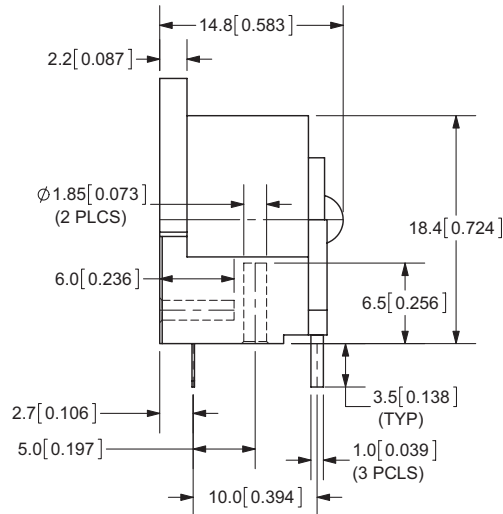
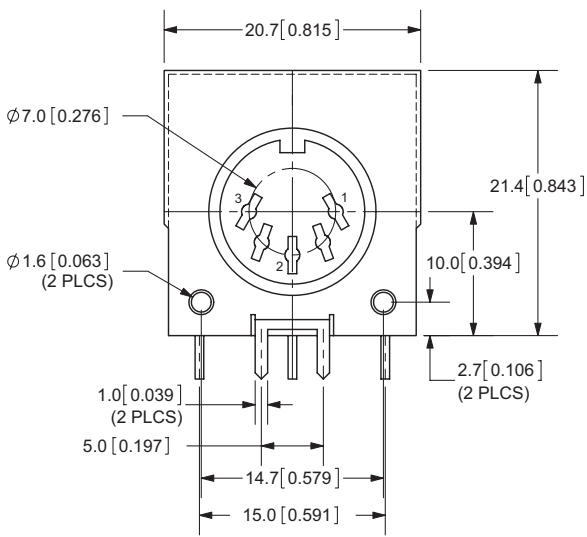
SPECIFICATIONS

parameter	conditions/description	min	typ	max	units
rated input voltage			100 12		Vac Vdc
rated input current	at 100 Vac at 12 Vdc			2 1	A A
contact resistance				20	mΩ
insulation resistance	at 500 Vdc	100			MΩ
voltage withstand	for 1 minute			250	Vac
insertion force				6.0	kg
withdrawal force		1		5	kg
operating temperature		-20		85	°C
life			1,000		cycles
flammability rating	UL94V-0				
RoHS	yes				

MECHANICAL DRAWING (SDF-30J)

units: mm
tolerance: ±0.2mm

	MATERIAL	PLATING
housing	PBT	black
shielded terminal	brass	nickel
insulation board	bakelite	
terminal	brass	tin

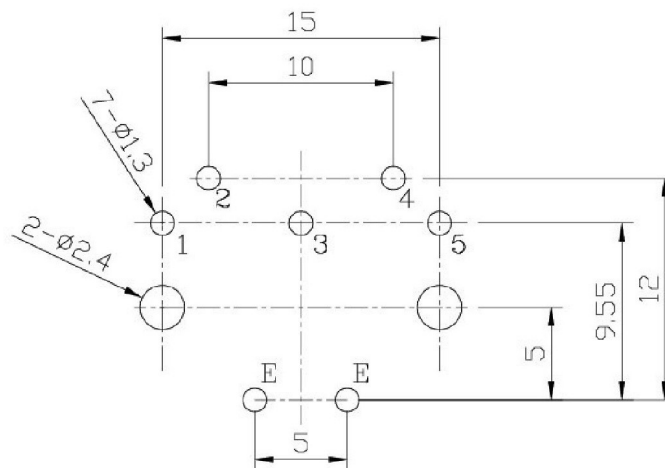
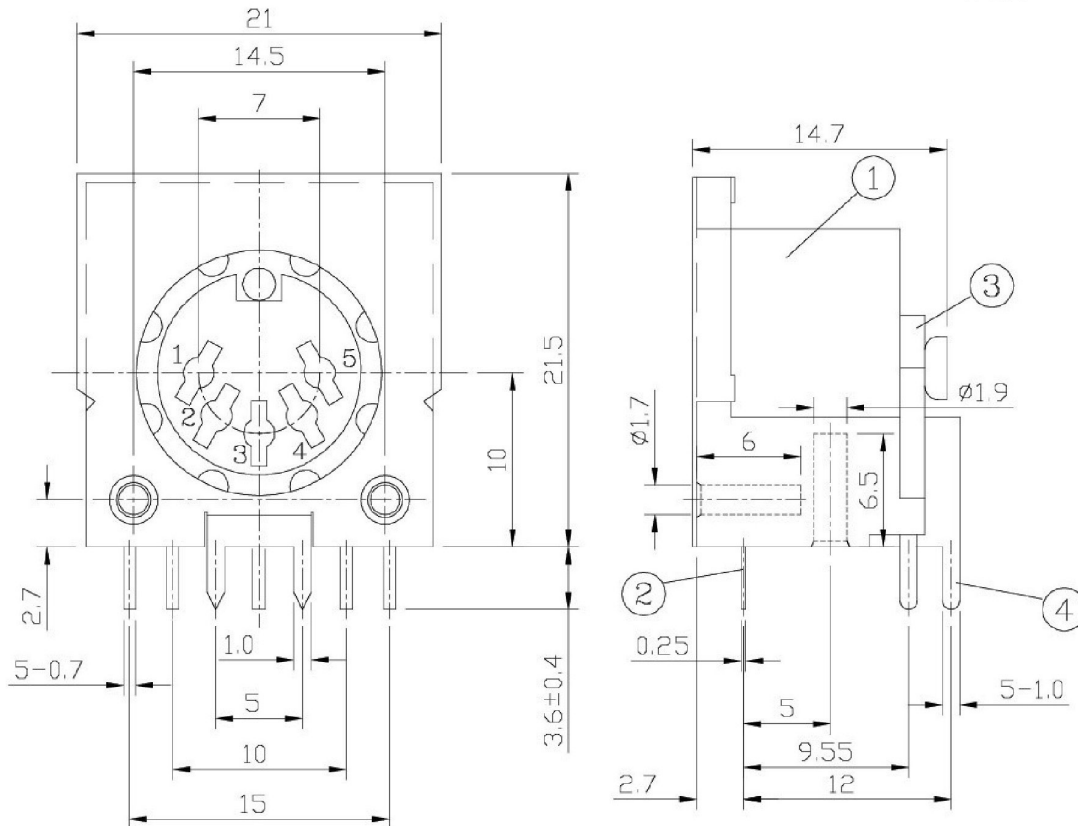


Recommended PCB Layout
Top View

MECHANICAL DRAWING (SDF-50J)

units: mm
 tolerance: ± 0.30 mm
 PCB: ± 0.05 mm

		MATERIAL	PLATING
1	housing	PBT 4815 UL94V-0	black
2	shielded terminal	copper alloy	copper/tin
3	insulation board	PE	
4	terminal	copper alloy	silver

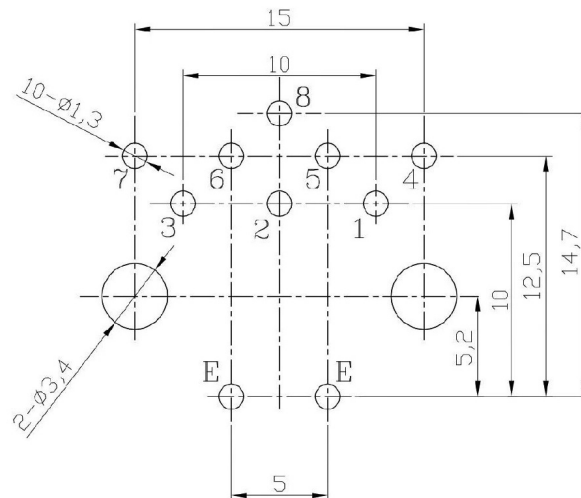
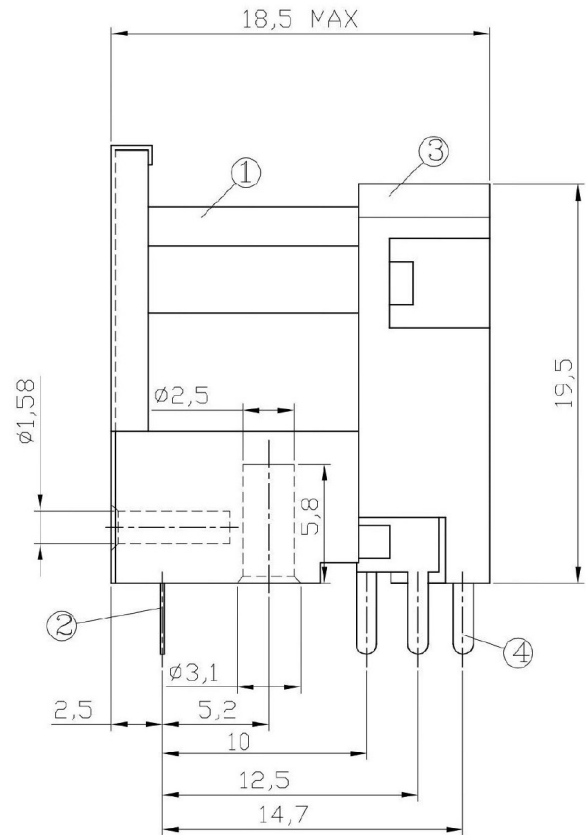
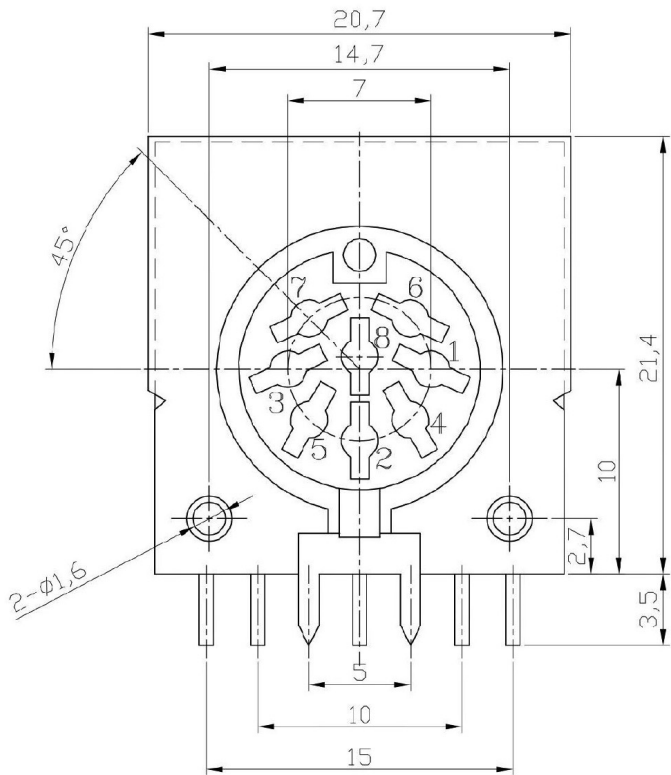


Recommended PCB Layout
 Top View

MECHANICAL DRAWING (SDF-80J)

units: mm
 tolerance: ± 0.30 mm
 PCB: ± 0.05 mm

		MATERIAL	PLATING
1	housing	PBT UL94V-0	black
2	shielded terminal	copper alloy	copper/tin
3	cover	PBT UL94V-0	black
4	terminal	copper alloy	silver

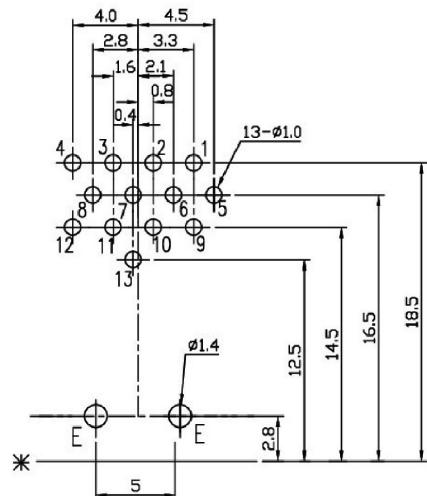
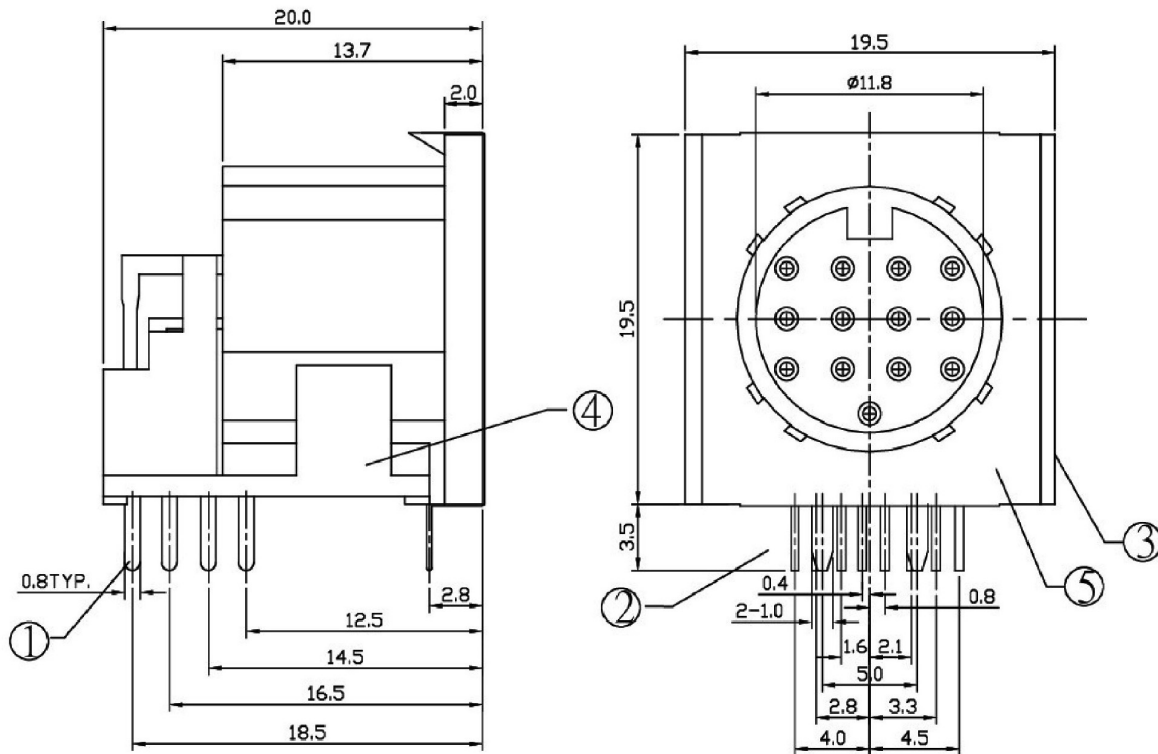


Recommended PCB Layout
 Top View

MECHANICAL DRAWING (SDF-130J)

units: mm
 tolerance: ±0.30 mm
 PCB: ±0.05 mm

		MATERIAL	PLATING
1	terminal	phosphor bronze	silver
2	ground contact	phosphor bronze	silver
3	housing	PBT 4815 UL94V-0	black
4	cover	PBT 4815 UL94V-0	black
5	sealed plate	copper alloy	copper/tin



Recommended PCB Layout
 Top View

REVISION HISTORY

rev.	description	date
1.0	initial release	02/23/2006
1.01	new template applied	04/02/2012
1.02	updated housings	04/05/2012
1.03	corrected SDF-50J and SDF-51J pinouts	07/15/2014
1.04	updated datasheet	09/08/2017
1.05	updated datasheet	07/24/2018
1.06	discontinued model SDF-30J	10/08/2019
1.07	discontinued model SDF-70J	02/17/2020
1.08	changed housing	04/13/2020

The revision history provided is for informational purposes only and is believed to be accurate.

CUI DEVICES

CUI Devices offers a one (1) year limited warranty. Complete warranty information is listed on our website.

CUI Devices reserves the right to make changes to the product at any time without notice. Information provided by CUI Devices is believed to be accurate and reliable. However, no responsibility is assumed by CUI Devices for its use, nor for any infringements of patents or other rights of third parties which may result from its use.

CUI Devices products are not authorized or warranted for use as critical components in equipment that requires an extremely high level of reliability. A critical component is any component of a life support device or system whose failure to perform can be reasonably expected to cause the failure of the life support device or system, or to affect its safety or effectiveness.