

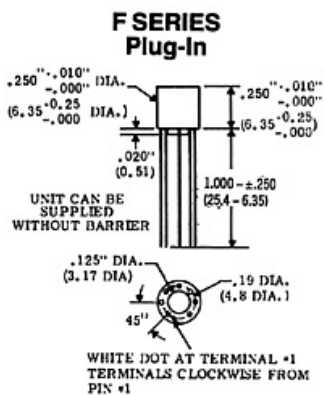
## Ultra Miniature Transformers

### F Series Plug-In and G Series Insulated Leads

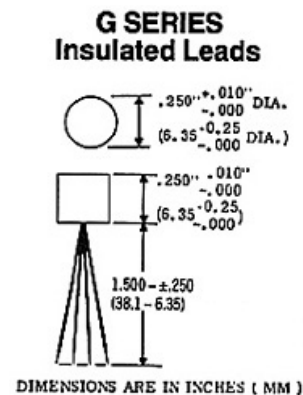
(.25" dia. x .25" ht.)

#### Specifications

- **MIL-PRF-27:** All units manufactured to MIL-PRF-27, Grade 5, Class S.
- **FREQUENCY RESPONSE:**  $\pm 3$ db, 400 Hz - 250 KHz at 1.0 Milliwatt.
- **MAXIMUM DISTORTION:** 5% With Rated Power Level at 1 KHz and 400 Hz.
- **DIELECTRIC STRENGTH:** All Units Tested at 200 V RMS.
- **INSULATION RESISTANCE:** Greater Than 10,000 Megohms at 300 V DC.
- **WEIGHT:** 1.1 Grams.
- **OPERATING TEMPERATURE:**  $-55^{\circ}\text{C}$  to  $+130^{\circ}\text{C}$ .
- **TERMINALS:** Solid .012 Diameter Conductor, Solderability per MIL-STD-202 Method 208.
- **THERMAL SHOCK:** 25 Cycles, Method 107D, MIL-STD-202E, Test Condition A-1.



[Larger size drawing of F Series](#)



[Larger size drawing of G Series](#)

[Click here for Surface Mount versions of these units.](#)

**Ultra Miniature Transformers:  
F Series Plug-In and G Series Insulated Leads**

Part Number		Prim. Imped. Ohms	Sec. Imped. Ohms Split Windings		Power Miliwatts		Prim. Unbal. DC Curr. ma	Prim. DC Resist. Ohms	Sec. DC Resist. Ohms		Turns Ratio Prim/Sec.	
F Series Plug-In	G Series Insul. Leads		SER	PAR	1 KHz and higher	400 Hz and higher			Ser Conn	Par Conn	Sec Ser Conn	Sec Par Conn
F-28003	G-29003	10ct	10ct	2.5	125	20	11.5	1.1	1.35	.34	1:1	2:1
F-28005	G-29005	20ct	8ct	2	125	20	8	2.1	1.28	.32	1.58:1	3.16:1
F-28010	G-29010	20ct	20ct	5	125	20	8	2.1	2.56	.64	1:1	2:1
F-28015	G-29015	32ct	32ct	8	125	20	6.5	3.52	4.32	1.08	1:1	2:1
F-28020	G-29020	40ct	40ct	10	125	20	5.6	4	4.77	1.19	1:1	2:1

### Ultra Miniature Transformers: F Series Plug-In and G Series Insulated Leads

Part Number		Prim. Imped. Ohms	Sec. Imped. Ohms Split Windings		Power Miliwatts		Prim. Unbal. DC Curr. ma	Prim. DC Resist. Ohms	Sec. DC Resist. Ohms		Turns Ratio Prim/Sec.	
F Series Plug-In	G Series Insul. Leads		SER	PAR	1 KHz and higher	400 Hz and higher			Ser Conn	Par Conn	Sec Ser Conn	Sec Par Conn
F-28025	G-29025	48ct	16ct	4	125	20	5.2	4.3	2.3	.58	1.73:1	3.46:1
F-28030	G-29030	50ct	50ct	12.5	125	20	5	5.5	6.6	1.65	1:1	2:1
F-28035	G-29035	80ct	32ct	8	125	20	4	8.5	4.25	1.06	1.58:1	3.16:1
F-28040	G-29040	100ct	40ct	10	125	20	3.6	12.1	4.85	1.21	1.58:1	3.16:1
F-28045	G-29045	100ct	100ct	25	125	20	3.6	12.1	12	3	1:1	2:1
F-28050	G-29050	120ct	12.8ct	3.2	125	20	3.3	13.2	1.6	.4	3.06:1	6.12:1
F-28055	G-29055	120ct	60ct	15	125	20	3.3	13.2	7.3	1.83	1.41:1	2.83:1
F-28060	G-29060	120ct	120ct	30	125	20	3.3	13.2	16	4	1:1	2:1
F-28065	G-29065	150ct	12ct	3	125	20	3	15	1.56	.39	3.54:1	7.07:1
F-28070	G-29070	150ct	50ct	12.5	125	20	3	15	6.6	1.65	1.73:1	3.46:1
F-28075	G-29075	150ct	100ct	25	125	20	3	15	14.5	3.63	1.22:1	2.45:1
F-28080	G-29080	150ct	150ct	37.5	125	20	3	15	18.3	4.58	1:1	2:1
F-28085	G-29085	150ct	600ct	150	125	20	3	15	72	18	1:2	1:1
F-28090	G-29090	200ct	200ct	50	125	20	2.5	22	26.8	6.7	1:1	2:1
F-28095	G-29095	300ct	12ct	3	125	20	2	33	1.56	.39	5:1	10:1
F-28100	G-29100	300ct	50ct	12.5	125	20	2	33	6.6	1.65	2.45:1	4.9:1
F-28105	G-29105	300ct	150ct	37.5	125	20	2	33	18.3	4.58	1.41:1	2.83:1
F-28110	G-29110	300ct	300ct	75	125	20	2	33	40.3	10.08	1:1	2:1
F-28115	G-29115	300ct	600ct	150	125	20	2	33	72	18	1:1.41	1.41:1
F-28120	G-29120	320ct	12.8ct	3.2	125	20	2	34	1.6	0.4	5:1	10:1
F-28125	G-29125	400ct	40ct	10	125	20	1.8	49	4.7	1.18	3.16:1	6.32:1
F-28130	G-29130	400ct	120ct	30	125	20	1.8	49	16.3	4.08	1.83:1	3.65:1
F-28135	G-29135	400ct	200ct	50	125	20	1.8	49	27.3	6.83	1.41:1	2.83:1
F-28140	G-29140	400ct	400ct	100	125	20	1.8	49	49	12.25	1:1	2:1
F-28145	G-29145	400ct	1000ct	250	125	20	1.8	49	120	30	1:1.58	1.26:1
F-28150	G-29150	400ct	2000ct	500	125	20	1.8	49	270	67.5	1:2.24	1:1.12
F-28155	G-29155	400ct	4000ct	1000	125	20	1.8	49	476	119	1:3.16	1:1.58
F-28160	G-29160	500ct	12.8ct	3.2	125	20	1.6	54	1.6	0.4	6.25:1	12.5:1
F-28165	G-29165	500ct	16ct	4	125	20	1.6	54	2.3	0.58	5.6:1	11.2:1
F-28170	G-29170	500ct	50ct	12.5	125	20	1.6	54	6.6	1.65	3.16:1	6.32:1
F-28175	G-29175	500ct	150ct	37.5	125	20	1.6	54	18.3	4.58	1.83:1	3.65:1
F-28180	G-29180	500ct	500ct	125	125	20	1.6	54	65	16.3	1:1	2:1
F-28185	G-29185	*500ct	500ct	-	125	20	1.6	54	65	-	1:1	-
F-28190	G-29190	500ct	600ct	150	125	20	1.6	54	72	18	1:1.1	1.83:1
F-28195	G-29195	600ct	12.8ct	3.2	125	20	1.5	59	1.6	0.4	6.85:1	13.7:1
F-28200	G-29200	600ct	30ct	7.5	125	20	1.5	59	4.1	1.03	4.47:1	8.94:1
F-28205	G-29205	600ct	48ct	12	125	20	1.5	59	5.2	1.3	3.54:1	7.07:1
F-28210	G-29210	600ct	200ct	50	125	20	1.5	59	26.5	6.63	1.73:1	3.46:1
F-28215	G-29215	600ct	600ct	150	125	20	1.5	59	72	18	1:1	2:1
F-28220	G-29220	*600ct	600ct	-	125	20	1.5	59	72	-	1:1	-
F-28225	G-29225	600ct	1200ct	300	125	20	1.5	59	160	40	1:1.41	1.41:1
F-28230	G-29230	640ct	12.8ct	3.2	125	20	1.5	62	1.6	0.4	7.07:1	14.14:1
F-28235	G-29235	700ct	100ct	25	125	20	1.35	65	12	3	2.65:1	5.29:1

F-28240	G-29240	800ct	12.8ct	3.2	125	20	1.3	88	16	4	7.9:1	15.8:1	
F-28245	G-29245	800ct	48ct	12	125	20	1.3	88	6.7	1.68	4.08:1	8.16:1	
F-28250	G-29250	800ct	800ct	200	125	20	1.3	88	106	26.5	1:1	2:1	
F-28255	G-29255	900ct	600ct	150	125	20	1.2	93	74	18.5	1.22:1	2.45:1	
F-28260	G-29260	1000ct	12ct	3	125	20	1.2	120	1.55	0.39	9.13:1	18.3:1	
F-28265	G-29265	1000ct	50ct	12.5	125	20	1.2	120	6.6	1.65	4.47:1	8.94:1	
F-28270	G-29270	1000ct	1000ct	250	125	20	1.2	120	120	30	1:1	2:1	

**Ultra Miniature Transformers:  
F Series Plug-In and G Series Insulated Leads**

Part Number		Prim. Imped. Ohms	Sec. Imped. Ohms Split Windings		Power Miliwatts		Prim. Unbal. DC Curr. ma	Prim. DC Resist. Ohms	Sec. DC Resist. Ohms		Turns Ratio Prim/Sec.		
F Series Plug-In	G Series Insul. Leads		SER	PAR	1 KHz and higher	400 Hz and higher			Ser Conn	Par Conn	Sec Ser Conn	Sec Par Conn	
F-28275	G-29275	1060ct	12.8ct	3.2	125	20	1.2	125	1.6	0.4	9.1:1	18.2:1	
F-28280	G-29280	1200ct	12.8ct	3.2	125	20	1	133	1.6	0.4	9.68:1	19.4:1	
F-28285	G-29285	1200ct	500ct	125	125	20	1	133	65	16.25	1.55:1	3.1:1	
F-28290	G-29290	1200ct	1200ct	300	125	20	1	133	160	40	1:1	2:1	
F-28295	G-29295	*1200ct	1200ct	-	125	20	1	133	160	-	1:1	-	
F-28300	G-29300	1500ct	12ct	3	125	20	1	180	1.55	0.39	11.2:1	22.4:1	
F-28305	G-29305	1500ct	500ct	125	125	20	1	180	65	16.31	1.73:1	3.46:1	
F-28310	G-29310	*1500ct	600ct	-	125	20	1	180	73	-	1.58:1	-	
F-28315	G-29315	*1500ct	1500ct	-	125	20	1	180	215	-	1:1	-	
F-28320	G-29320	1600ct	12.8ct	3.2	125	20	1	190	1.6	0.4	11.2:1	22.4:1	
F-28325	G-29325	2000ct	8ct	2	125	20	0.8	218	1	0.25	15.8:1	31.6:1	
F-28330	G-29330	2000ct	2000ct	500	125	20	0.8	218	260	65	1:1	2:1	
F-28335	G-29335	*2000ct	2000ct	-	125	20	0.8	218	260	-	1:1	-	
F-28340	G-29340	2000ct	8000ct	2000	125	20	0.8	218	830	207.5	1:2	1:1	
F-28345	G-29345	2500ct	2500ct	625	125	20	0.75	280	280	70	1:1	2:1	
F-28350	G-29350	3000ct	3000ct	725	125	20	0.65	330	330	82.5	1:1	2:1	
F-28355	G-29355	*3000ct	3000ct	-	125	20	0.65	330	330	-	1:1	-	
F-28360	G-29360	3600ct	3600ct	900	125	20	0.6	370	450	112.5	1:1	2:1	
F-28365	G-29365	4000ct	16ct	4	125	20	0.57	400	2.3	0.58	15.8:1	31.6:1	
F-28370	G-29370	4000ct	600ct	150	125	20	0.57	400	73	18.25	2.58:1	5.16:1	
F-28375	G-29375	4000ct	1000ct	250	125	20	0.57	400	120	30	2:1	4:1	
F-28380	G-29380	*4000ct	8000ct	-	125	20	0.57	400	1070	-	1:1.41	-	
F-28385	G-29385	5000ct	500ct	125	125	20	0.5	540	65	16.25	3.16:1	6.32:1	
F-28390	G-29390	5000ct	5000ct	1250	125	20	0.5	540	650	162.5	1:1	2:1	
F-28395	G-29395	7500ct	50ct	12.5	125	20	0.5	835	6.6	1.65	12.2:1	24.5:1	
F-28400	G-29400	7500ct	100ct	25	125	20	0.4	835	12	3	8.66:1	17.3:1	
F-28405	G-29405	7500ct	600ct	150	125	20	0.4	835	72	18	3.54:1	7.07:1	
F-28410	G-29410	7500ct	2500ct	625	125	20	0.4	835	280	70	1.73:1	3.46:1	
F-28415	G-29415	*7500ct	7500ct	-	125	20	0.4	835	1020	-	1:1	-	
F-28420	G-29420	8000ct	12.8ct	3.2	125	20	0.4	865	1.6	0.4	25:1	50:1	
F-28425	G-29425	8000ct	1000ct	250	125	20	0.4	865	120	30	2.83:1	5.66:1	
F-28430	G-29430	*8000ct	1200ct	-	125	20	0.4	865	160	-	2.58:1	-	
F-28435	G-29435	*9000ct	9000ct	-	125	20	0.4	1160	1160	-	1:1	-	
F-28440	G-29440	10,000ct	12.8ct	3.2	125	20	0.36	1200	1.6	0.4	28:1	56:1	
F-28445	G-29445	10,000ct	16ct	4	125	20	0.36	1200	1.77	0.44	25:1	50:1	
F-28450	G-29450	10,000ct	100ct	25	125	20	0.36	1200	12	3	10:1	20:1	
F-28455	G-29455	10,000ct	200ct	50	125	20	0.36	1200	27	6.75	7.07:1	14.14:1	
F-28460	G-29460	10,000ct	500ct	125	125	20	0.36	1200	65	16.25	4.47:1	8.94:1	
F-28465	G-29465	10,000ct	600ct	150	125	20	0.36	1200	72	18	4.08:1	8.16:1	
F-28470	G-29470	10,000ct	1000ct	250	125	20	0.36	1200	120	30	3.16:1	6.32:1	
F-28475	G-29475	10,000ct	1200ct	300	125	20	0.36	1200	160	40	2.88:1	5.77:1	
F-28480	G-29480	10,000ct	1500ct	375	125	20	0.36	1200	215	53.8	2.58:1	5.16:1	
F-28485	G-29485	10,000ct	2000ct	500	125	20	0.36	1200	260	65	2.24:1	4.47:1	
F-28490	G-29490	10,000ct	5000ct	1250	125	20	0.36	1200	650	162.5	1.41:1	2.83:1	
F-28495	G-29495	10,000ct	7500ct	1875	125	20	0.36	1200	1020	255	1.15:1	2.3:1	
F-28500	G-29500	10,000ct	10,000ct	2500	125	20	0.36	1200	1200	300	1:1	2:1	72.69
F-28505	G-29505	*10,000ct	10,000ct	-	125	20	0.36	1200	1440	-	1:1	-	85.79
F-28510	G-29510	15,000ct	400ct	100	100	15	0.35	1420	43	10.75	6.12:1	12.24:1	79.81
F-28515	G-29515	15,000ct	500ct	125	100	15	0.35	1420	49	12.25	5.48:1	10.95:1	79.81

Ultra Miniature Transformers: F Series Plug-In and G Series Insulated Leads														
Part Number		Prim. Imped. Ohms	Sec. Imped. Ohms Split Windings		Power Miliwatts		Prim. Unbal. DC Curr. ma	Prim. DC Resist. Ohms	Sec. DC Resist. Ohms		Turns Ratio Prim/Sec.			
F Series Plug-In	G Series Insul. Leads		SER	PAR	1 KHz and higher	400 Hz and higher			Ser Conn	Par Conn	Sec Ser Conn	Sec Par Conn		
F-28520	G-29520	15,000ct	600ct	150	100	15	0.35	1420	68	17	5:1	10:1		
F-28525	G-29525	15,000ct	10,000ct	2500	100	15	0.35	1420	1100	275	1.22:1	2.45:1		
F-28530	G-29530	*15,000ct	15,000ct	-	100	15	0.35	1420	1730	-	1:1	-		
F-28535	G-29535	15,000ct	15,000ct	3750	100	15	0.35	1420	1730	433	1:1	2:1		
F-28540	G-29540	16,000ct	1000ct	250	100	15	0.35	1500	115	28.75	4:1	8:1		
F-28545	G-29545	20,000ct	500ct	125	100	15	0.3	1600	60	15	6.33:1	12.65:1		
F-28550	G-29550	20,000ct	600ct	150	100	15	0.3	1600	66	16.5	5.77:1	11.55:1		
F-28555	G-29555	20,000ct	800ct	200	100	15	0.3	1600	94	23.5	5:1	10:1		
F-28560	G-29560	20,000ct	1000ct	250	100	15	0.3	1600	106	26.5	4.47:1	8.94:1		
F-28565	G-29565	20,000ct	5000ct	1250	100	15	0.3	1600	600	150	2:1	4:1		
F-28570	G-29570	20,000ct	10,000ct	2500	100	15	0.3	1600	1100	275	1.41:1	2.83:1		
F-SHIELD: MU-METAL SHIELD .285" d x .268" h (7.24 mm d x 6.73 mm h) SINGLE SHIELD														
FYY-SHIELD: MU-METAL SHIELD .315" d x .275" h (8.0 mm d x 6.99 mm h) USE WITH F-SHIELD FOR DOUBLE SHIELDING														
G-SHIELD: MU-METAL SHIELD .285" d x .335" h (7.24 mm d x 8.51 mm h) SINGLE SHIELD														
GYY-SHIELD: MU-METAL SHIELD .315" d x .40" h (8.0 mm d x 10.16 mm h) USE WITH G-SHIELD FOR DOUBLE SHIELDING														
GXX-SHIELD: MU-METAL SHIELD .35" d x .465" h (8.89 mm d x 11.81 mm h) USE WITH G-SHIELD AND GYY SHIELD FOR TRIPLE SHIELDING														

[Click Here for Surface Mount Version of These Series](#)

\*Includes Electrostatic Shield

\*\*Discount Prices:

- 1-9 Net;
- 10-24 less 10%;
- 25-49 less 16%;
- 50-99 less 23%;
- 100-499 less 30%

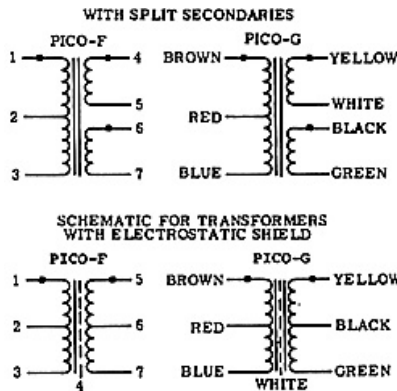
Ordering Instructions:

No minimum.  
Net 30 days F.O.B. Pelham, NY

**Delivery--stock to one week for sample orders.**

**FEATURES**

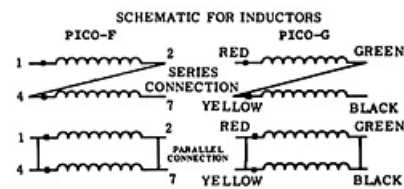
- Extreme resistance to thermal shock
- Ultra miniature size
- PICO is approved QPL Source (Mil-PRF-27)
- 5 Magnetic Shields available
- Electrostatic shielding can be added.
- Special production techniques ensure uniform size and leads which are free of encapsulant. No meniscus in lead area.
- Variation of standard designs available
- Every unit can be made with a 300 thermal cycle guarantee using PICO's special SR construction. Contact factory for details.



## INDUCTORS

PART NUMBERS		INDUCTANCE HENRIES	DC CURRENT ma	DC RESISTANCE OHMS	PRICE 1-9*** (US \$)	
F-SERIES	G-SERIES				F-SERIES	G-SERIES
F-5825	G-6125	SERIES: 10.0	0	2250	66.06	62.89
		2.75	2			
F-5830	G-6130	PARALLEL: 2.5	0	1000	66.06	62.89
		.65	4			
F-5835	G-6135	SERIES 5.5	0	240	66.06	62.89
		1.5	2			
F-5840	G-6140	PARALLEL 1.3	0	144	66.06	62.89
		.40	4			
F-5835	G-6135	SERIES .85	1	60	66.06	62.89
		.25	6			
F-5840	G-6140	PARALLEL .21	2	36	66.06	62.89
		.06	12			
F-5825	G-6125	SERIES .60	0	144	66.06	62.89
		.15	5			
F-5830	G-6130	PARALLEL .15	0	36	66.06	62.89
		.04	10			

**Inductors:** All inductors have split windings and measurements are listed for both series and parallel connections. Two values of inductance, each at a particular value of DC Current, are listed for each inductor.



**Delivery - stock to one week for sample orders.**

For immediate engineering assistance or to place an order:  
**Call Toll Free: 800-431-1064**

**PICO Electronics, Inc.**

143 Sparks Ave. Pelham, NY 10803-1810  
 Tel: 914-738-1400 or Fax: 914-738-8225

[Go back to Plug In Transformers and Inductors menu](#)