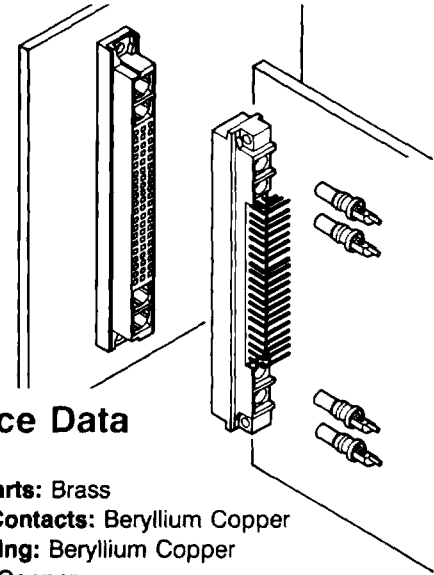


D64 HI-CON™ Eurocard DIN Connectors

Mixed DIN Type M Series 105 Coaxial — 50 OHM Contacts



Performance Data

MATERIAL

- Fixed Contact Parts:** Brass
- Spring Loaded Contacts:** Beryllium Copper
- Retaining Clip Ring:** Beryllium Copper
- Crimp Ferrules:** Copper
- Insulators:** PTFE Teflon
- Contact Plating:** Selective Minimum Gold Over Nickel
- Inner Conductor** 98 μ " (2.50 μ m) Gold
- Outer Conductor** 30 μ " (.762 μ m) Gold

MECHANICAL

- Recommended Cable:** RG174/U, RG188/U, RG316/U
- Mating Cycles:** 100 Minimum

ELECTRICAL

- Operating Voltage:** 250V/50 Hz
- Withstanding Voltage:** 750V/50 Hz
- Maximum Current:** 1.5 Amps*
- Frequency:** 10 GHz
- VSWR (max):** 1.05 to 1 GHz
1.07 to 4GHz
1.10 to 10GHz

Impedance: 50 Ohms

Insulation Resistance: 10¹² Ohms

Contact Resistance: Inner Conductor <6 Milliohms
Outer Conductor <3 Milliohms

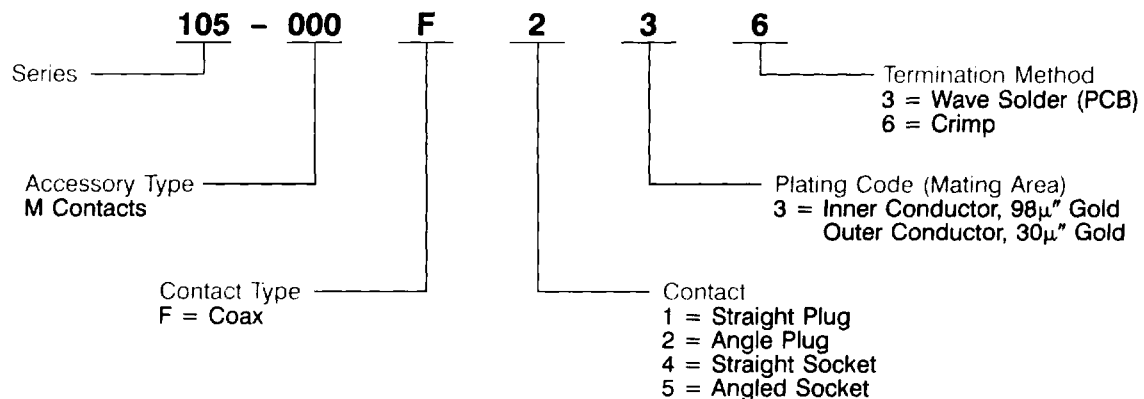
TEMPERATURE

Range: -67°F to +257°F (-55°C to +125°C)*

*For detail information see pages D6-D8

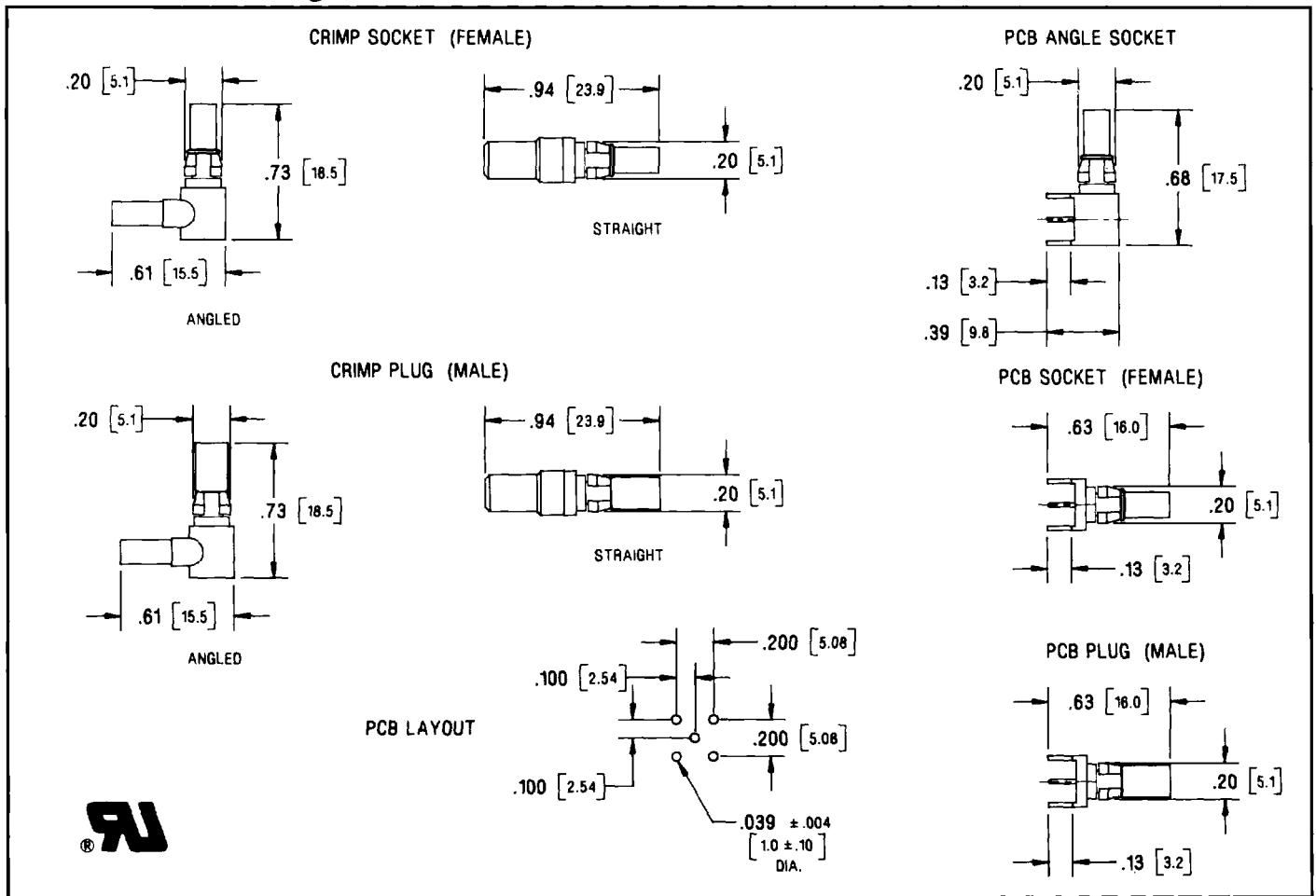
These coaxial contacts can be selectively loaded within any conforming type M DIN connector. The angle and straight types are available to permit the transmission of high/low frequency, and high speed signals via a coaxial cable. The coaxial cable is attached to the contact by soldering the inner cable core and crimping the outer conductor. Panduit's controlled cycle crimping tool, part number 200-013-000, is used to provide consistent high quality crimps on the outer conductors, while the center conductor is soldered.

Part Number System



HI-CON™ Eurocard DIN Connectors D65

Mixed DIN Type M Series 105 Coaxial — 50 OHM Contacts Dimension Drawing



Ordering Information

Termination Method							Contact Plating μ" Gold
Crimp Version			PCB Mount				
Angle Plug	Angle Socket	Straight Plug	Straight Socket	Straight Socket	Straight Plug	Angle Socket	
105-000F236/F	105-000F536/F	105-000F136/F	105-000F436/F	105-000F433	105-000F133	105-000F533	30

NOTE: Emphasized part numbers represent the most popular in this series

D