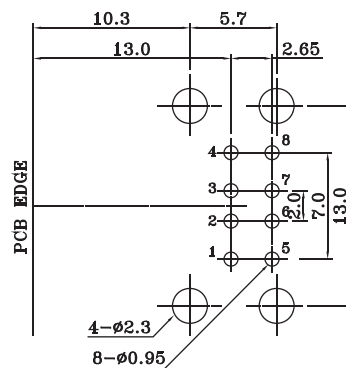
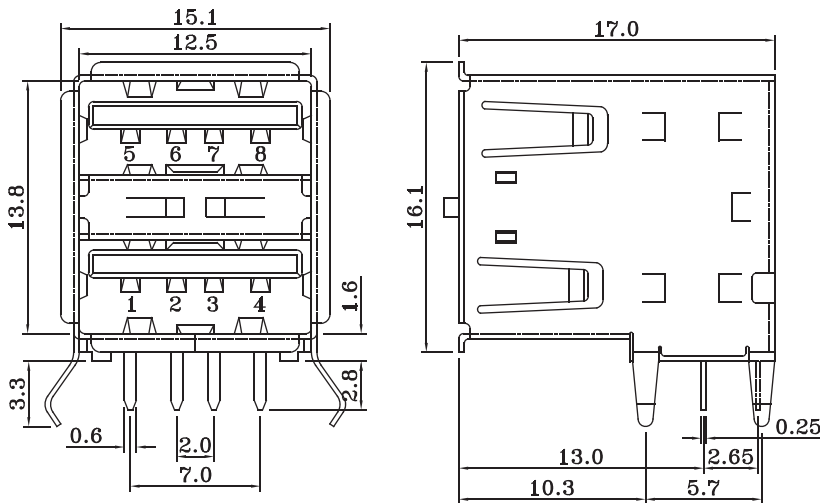




USB Female 2 Ports A Type

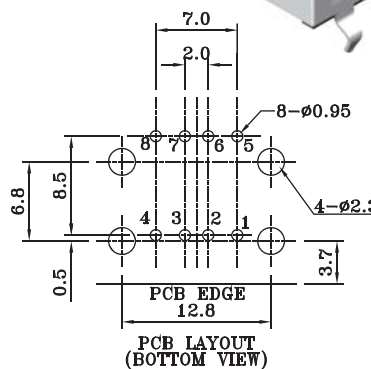
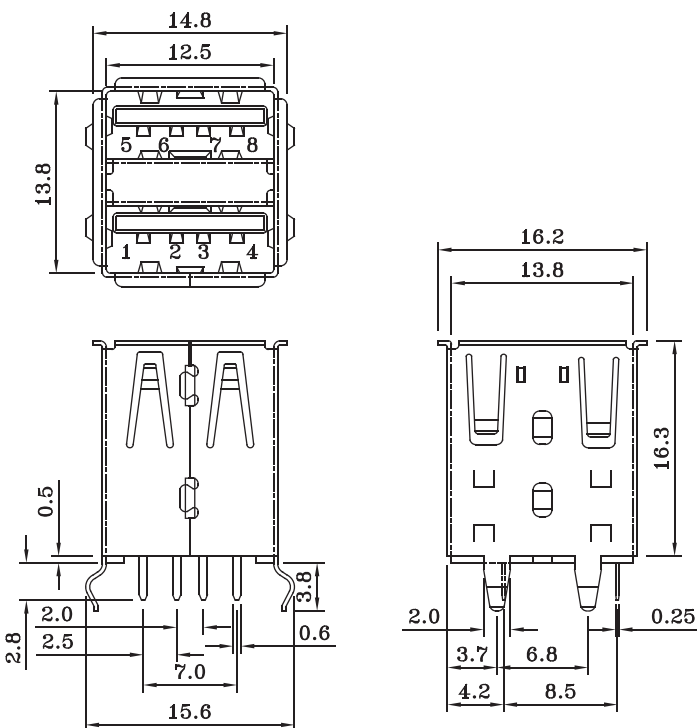


No.	Name	Q'ty	Material	Remarks & Thickness	Finish
1	Housing	1	PBT G.F.		White/Black
2	Pin Term.	8	Copper Alloy T:0.25	Ni:1~5u ; Tin:3u. Gold:1~3u"	Gold/Tin Plated
3	Shell	1	Brass T=0.3	Ni:2~3u	Tin Plated
4	Shell	1	Brass T=0.3	Ni:2~3u	Tin Plated
5	Shell	1	Spcc,0.3		Nickel Plated

Part No.: **USB-002-A** -L

B:Black W:White

USB Female 2 Ports Dip 180° A Type



No.	Name	Q'ty	Material	Remarks & Thickness	Finish
1	Housing	1	PBT G.F.		White/Black
2	Pin Term.	8	Copper Alloy T:0.25	Ni:1~5u ; Tin:3u. Gold:1~3u"	Gold/Tin Plated
3	Shell	1	Brass T:0.3	Ni:2~3u	Nickel Plated
4	Shell	1	Brass T:0.3	Ni:2~3u	Nickel Plated
5	Spacer	2	PC		Natural

Part No.: **USB-002K-A1** -L

B:Black W:White

USB Conn. Series

ROHS