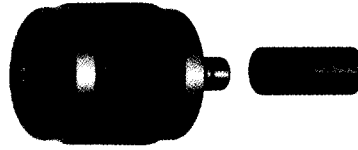
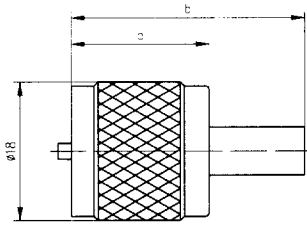


UHF-Steckverbindungen nach IEC Publ. 169-12

UHF Connectors according to IEC Publ. 169-12

2 UHF-Kabelstecker Crimp

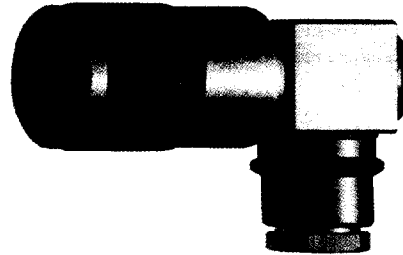
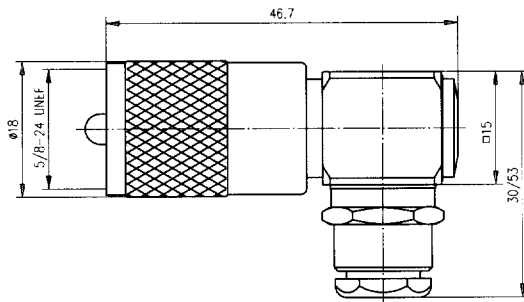
UHF Straight Plug Crimp



Bestell-Nr. Order Nr.	Kabelgruppe (Beispiel) / Kabel Cable group (example) / cable	Montage Assembly	Anmerkungen Remarks	Abmessungen Dimensions
J01040A0000	G2 (RG-59B/U)	B0606	crimp/crimp	a=18.3, b=31
J01040A0001	G1 (RG-58C/U)	B0605	crimp/crimp	a=18.3, b=31
J01040A0006	RG-213/U	B0612	crimp/crimp	a=18.3, b=32.5
J01040A0009	G5 (RG-223/U)	B0605	crimp/crimp	a=18.5, b=31.5
J01040A0010	RG-214/U	B0612	crimp/crimp	a=18.5, b=33.5

3 UHF-Kabelwinkelstecker

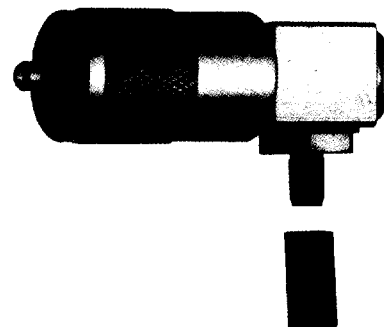
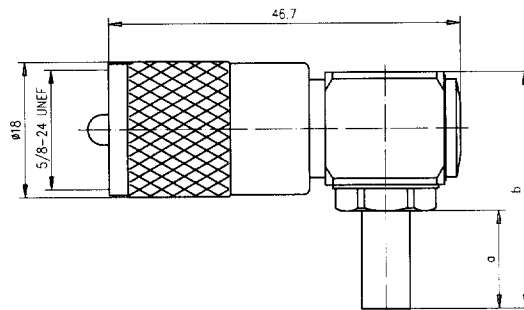
UHF Angle Plug



Bestell-Nr. Order Nr.	Kabelgruppe (Beispiel) / Kabel Cable group (example) / cable	Montage Assembly
J01040A0002	RG-214/U; RG-393/U	D04
J01040A0004	G 05232	D03
J01040A1201	G1 (RG-58C/U); G5 (RG-223/U); RG141 A/U; RG-142 B/U	D01
J01040A1202	G42 (2.7/7.1); RG-213/U; AA 5886	D04

4 UHF-Kabelwinkelstecker Crimp

UHF Angle Plug Crimp



Bestell-Nr. Order Nr.	Kabelgruppe (Beispiel) / Kabel Cable group (example) / cable	Montage Assembly	Anmerkungen Remarks	Abmessungen Dimensions
J01040A0691	G1 (RG-58C/U); RG-141A/U	D0105	löt/crimp / solder/crimp	a=13, b=31.5
J01040A0693	G42 (2.7/7.1); RG-213/U; AA-5886	D0512	löt/crimp / solder/crimp	a=14.5, b=33
J01040A0692	G5 (RG-223/U)	D0105	löt/crimp / solder/crimp	a=13.5, b=32
J01040A0005	RG-214/U; RG-393/U	D0512	löt/crimp / solder/crimp	a=13, b=31.5