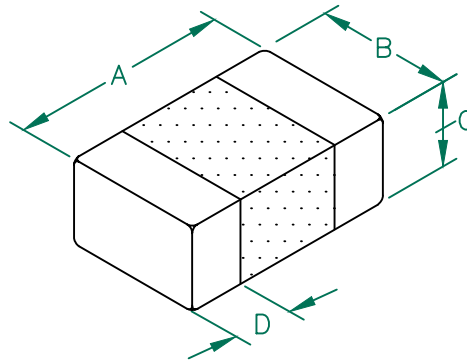


LI0805H400R-10

PHYSICAL DIMENSIONS:

A	2.00 [.079]	+ 0.20 [.008]
B	1.25 [.049]	+ 0.20 [.008]
C	0.90 [.035]	+ 0.20 [.008]
D	0.51 [.020]	+ 0.25 [.010]



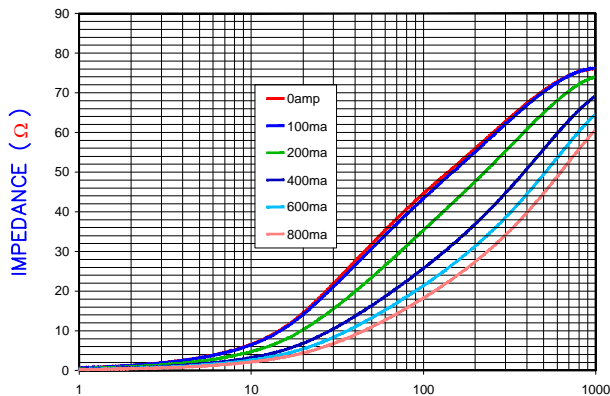
ELECTRICAL CHARACTERISTICS:

	Z @ 100MHz (Ω)	DCR (Ω)	Rated Current
Nominal	40		
Minimum	30		
Maximum	50	0.15	800 mA

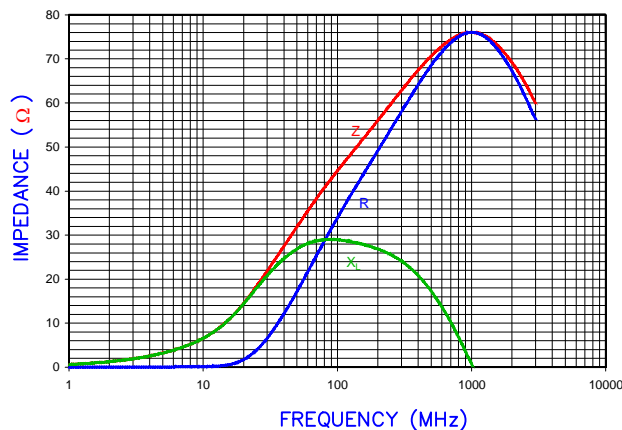
NOTES: UNLESS OTHERWISE SPECIFIED

1. TAPED AND REELED per CURRENT EIA SPECIFICATIONS 7" REELS, 4000 PCS/REEL, PAPER TAPE.
2. TERMINATION FINISH IS 100% TIN.
3. COMPONENTS SHOULD BE ADEQUATELY PREHEATED BEFORE SOLDERING.
4. OPERATING TEMP. RANGE: $-40^{\circ}\text{C} \sim +125^{\circ}\text{C}$. (INCLUDING SELF-HEATING)
5. COSMETIC SPECIFICATION REFER TO WI-QA-124.

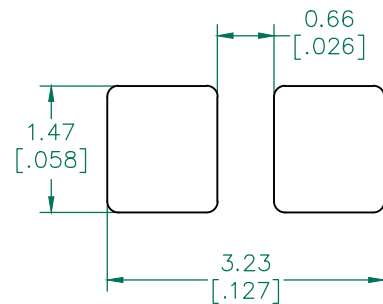
Z vs FREQUENCY
IMPEDANCE UNDER DC BIAS



FREQUENCY (MHz)
|Z|, R, AND X vs. FREQUENCY

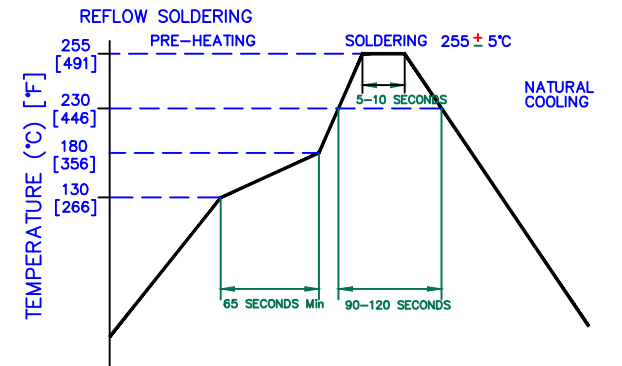


LAND PATTERNS FOR REFLOW SOLDERING



(For wave soldering, add 0.763 [.030] to this dimension.)

RECOMMENDED SOLDERING CONDITIONS



DIMENSIONS ARE IN mm [INCHES].

F	ADD OPERATING TEMPERATURE UPDATE LAIRD LOGO AND REFLOW CURVE	08/05/13	QU	This print is the property of Laird Tech. and is loaned in confidence subject to return upon request and with the understanding that no copies shall be made without the written consent of Laird Tech. All rights to design or invention are reserved.	
E	CHANGE TO PAPER TAPE	03/04/10	JUN		
D	UPDATE COMPANY LOGO	07/21/08	JRK		
C	REACTIVATE PRINT AND UPDATE COMPANY LOGO	08/10/07	TMB		
B	REACTIVATE PRINT REVISE NOTE 1	10/12/06	TMB		
A	ORIGINAL DRAFT	03/24/04	TMB	PROJECT/PART NUMBER: LI0805H400R-10	REV F PART TYPE: CO-FIRE DRAWN BY: TMB
REV	DESCRIPTION	DATE	INT	DATE: 03/24/04 SCALE: NTS SHEET: 1 of 1	CAD # LI0805H400R-10-F TOOL # -