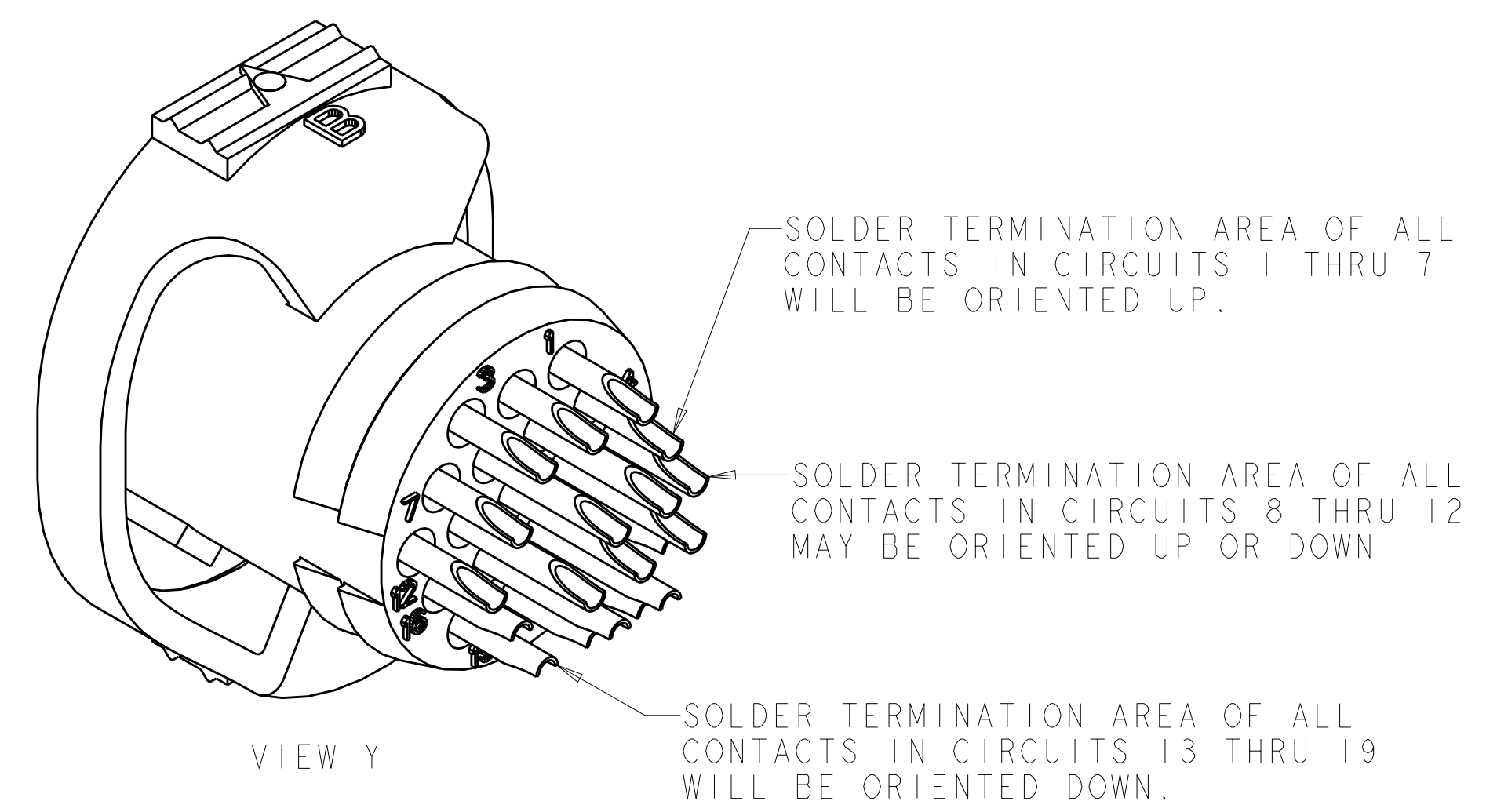
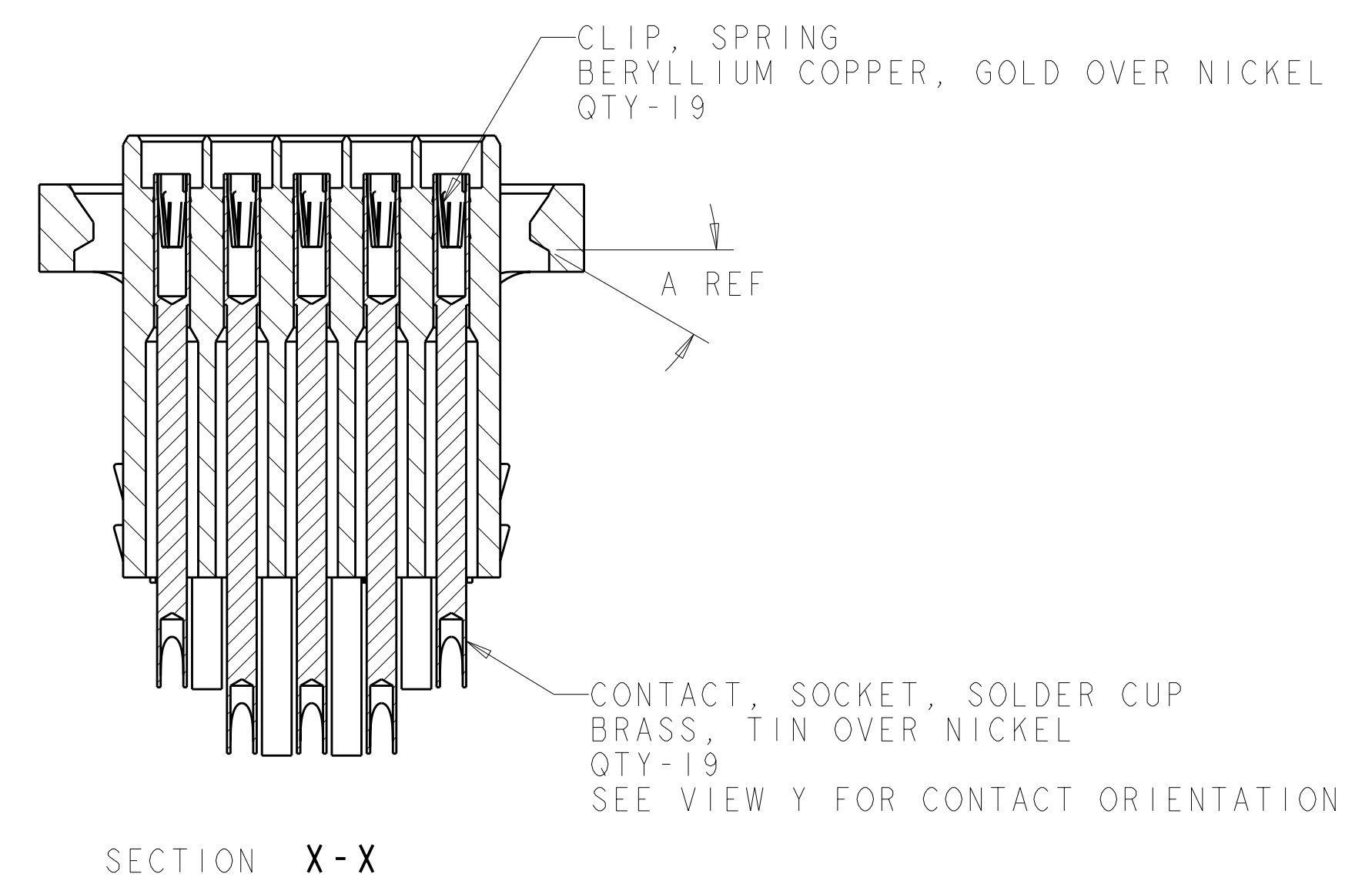
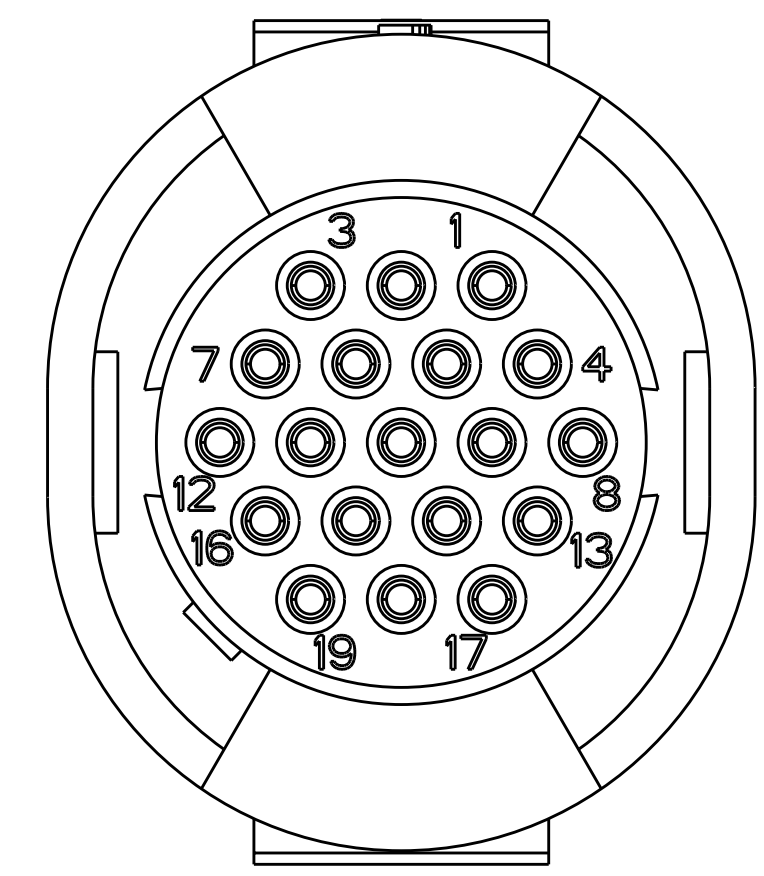
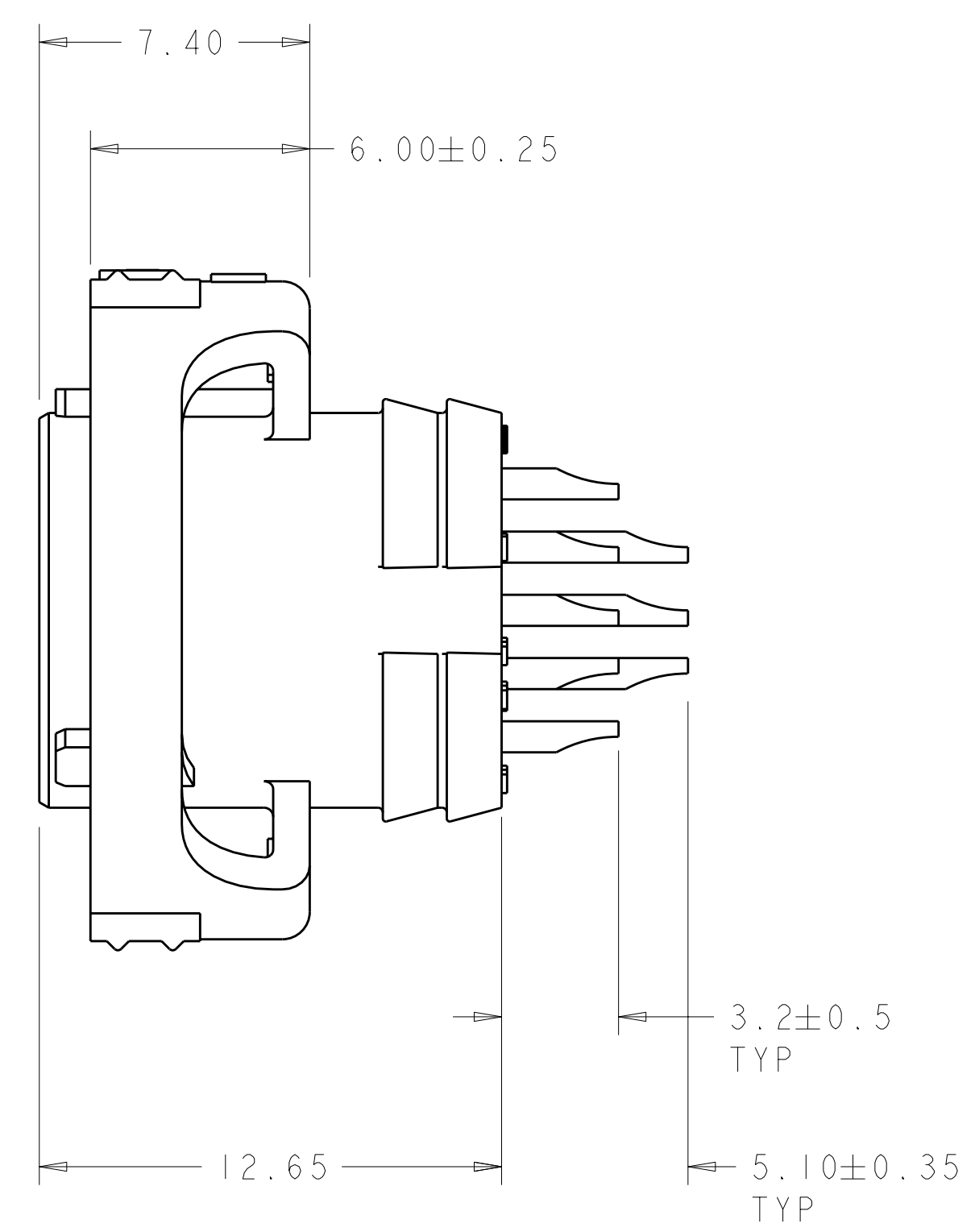
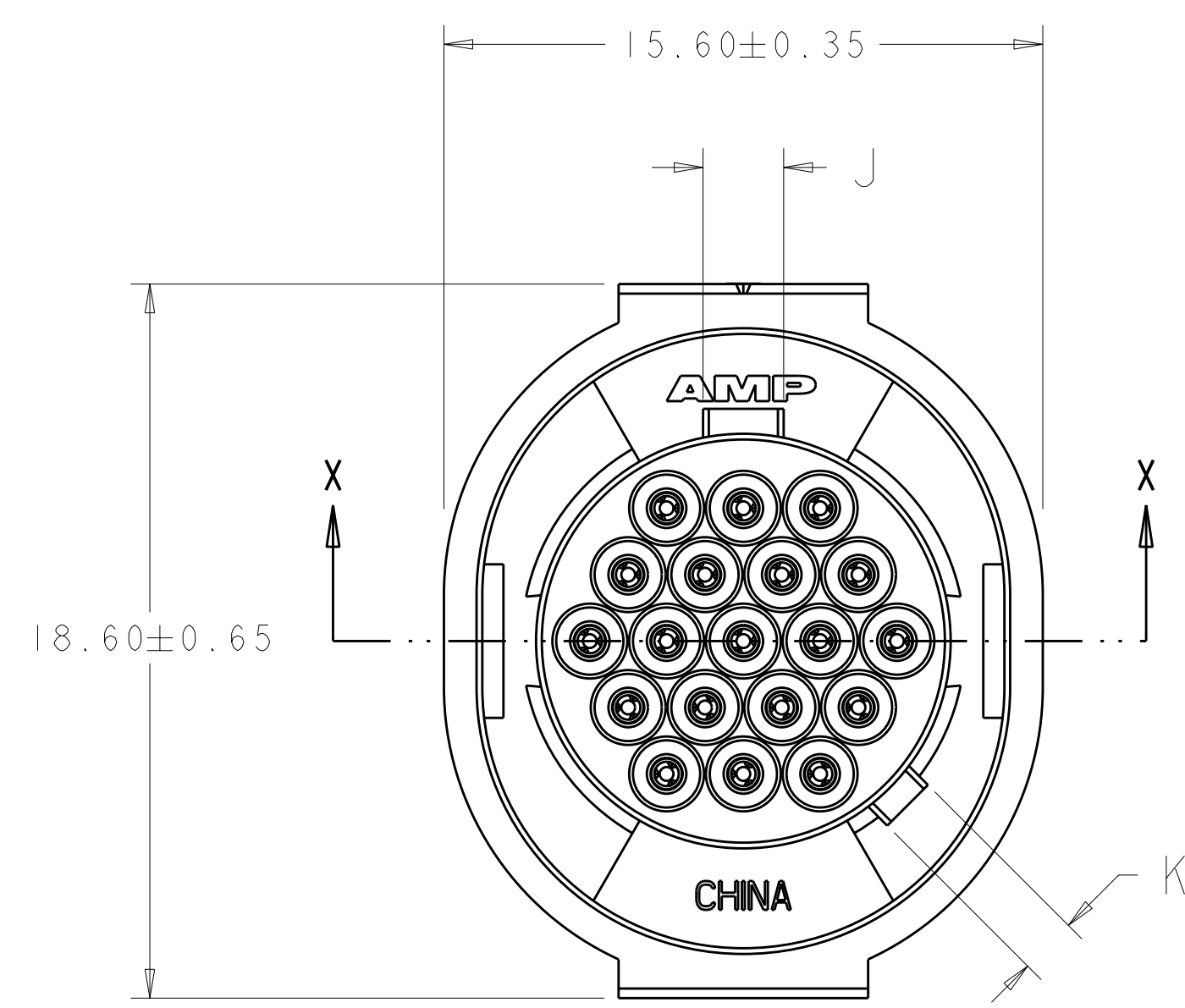
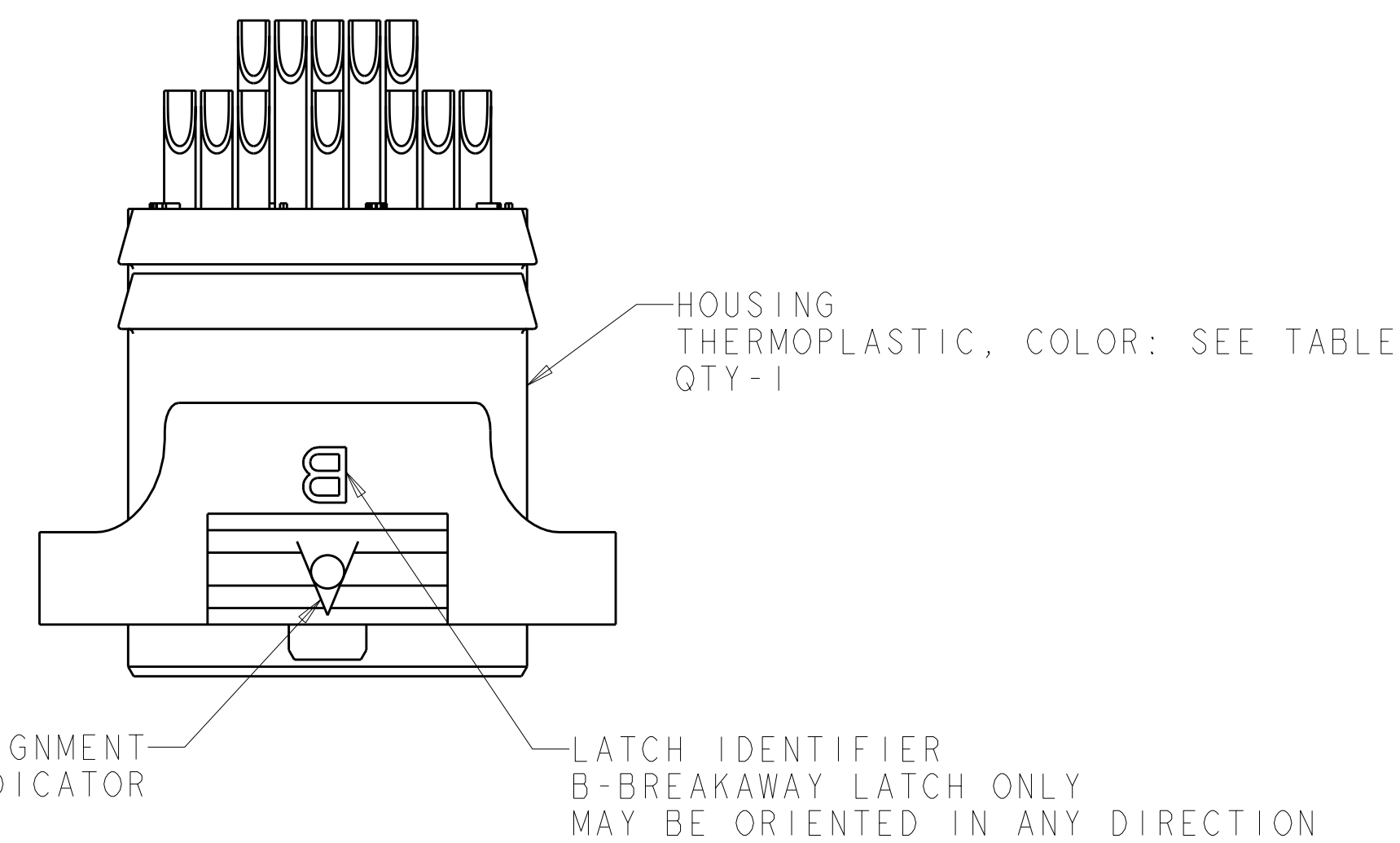


LOC		DIST		REVISIONS			
FT	0	P	LTR	DESCRIPTION	DATE	DWN	APVD
		J1		REVISED ECO-06-029818	02JAN2001	SW	DC



DIMENSIONS:		TOLERANCES UNLESS OTHERWISE SPECIFIED:		DWN SHANE WIEST 04SEP2001		Tyco Electronics	
mm	9 PLC ±	1 PLC ±	2 PLC ±0.13	3 PLC ±	4 PLC ±	5 PLC ±	6 PLC ±
	ANGLES	FINISH SEE CALLOUT		APVD H. WAKEEM 23JUN2004		Tyco Electronics Harrisburg, PA 17105-3608	
MATERIAL SEE CALLOUT				NAME PLUG ASSEMBLY, 19 POSITION, SOCKET, SOLDER CUP, MICRO CPC		RESTRICTED TO	
				SIZE CAGE CODE DRAWING NO A100779C=1445782		SCALE 6:1 SHEET 1 OF 2 REV J1	
CUSTOMER DRAWING							

