

Ordering Information	
MFR62340A-JO	MPO/MTP Connector
MFR62340A-JOS	With EMI shield
MFR62340A-JX	MPX Connector

Applications

- High-speed interconnects within and between Switches, Routers and Transport equipment
- Proprietary backplanes
- Low cost OC-192 VSR (Very Short Reach) connections
- InfiniBand™ connections
- Interconnects rack-to-rack, shelf-to-shelf, board-to-board, board-to-optical backplane

Features

- Data rate 155Mbps to 2.5Gbps per channel
- 12 parallel channels, total 30Gbps capacity
- Differential CML (Current-Mode Logic) interface
- Link length up to 300m (with 500MHz·km fiber)
- Channel BER 10^{-12} when used with MFT62340A-J
- Designed for multimode fiber ribbon
- MPO/MTP or MPX connector options
- Surface-mount package
- Pick-and-placeable; reflow solderable
- Matches the MFT62340A-J Transmitter

Description

The MFT62340A-J and MFR62340A-J make a very high speed transmitter and receiver pair for parallel fiber applications. This pair, coupled through a multimode parallel fiber ribbon cable, constitutes a complete parallel fiber link. These links provide high-speed interconnects for use within and between large capacity switches, routers and data transport equipment. The transmitter and receiver have a differential CML interface and support MPO/MTP and MPX fiber connectors.

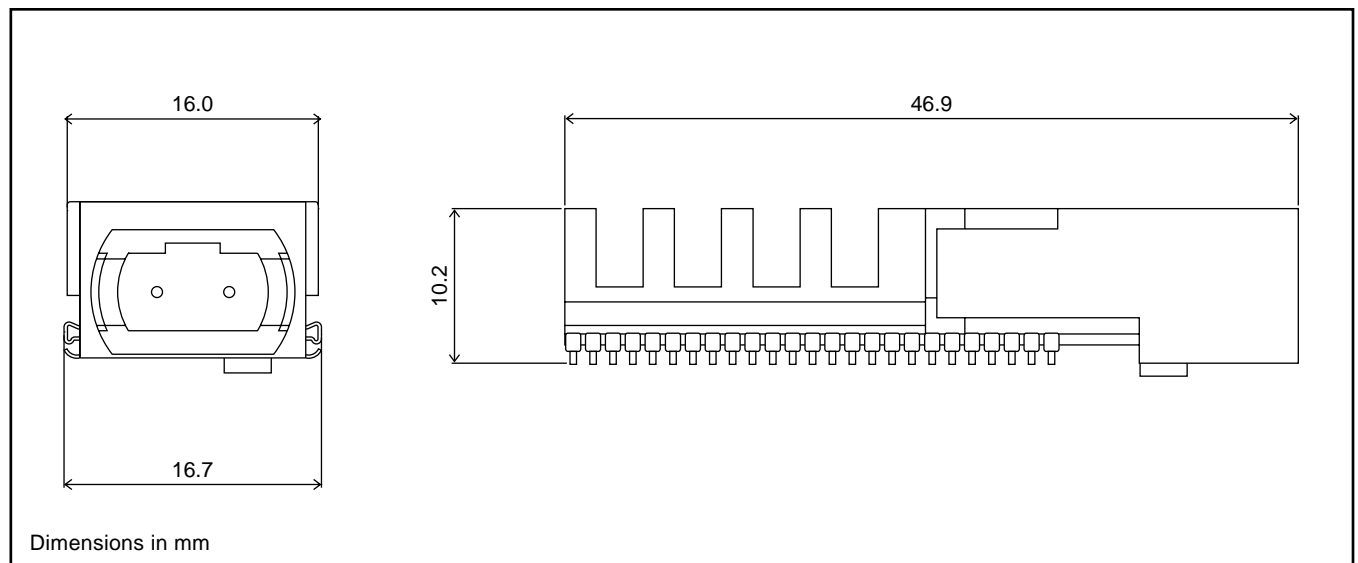


Figure 1 - MFR62340A-JO: MPO/MTP Connector Option

Absolute Maximum Ratings (note 1)

	Parameter	Symbol	Min	Max	Unit
1	Supply voltage	V_{CC}	-0.5	4.0	V
2	Voltage on any pin	V_{PIN}	-0.5	$V_{CC}+0.3$	V
3	Operating and storage moisture	M_{OS}	20	85	%
4	Storage temperature	T_{STG}	-40	+100	°C
5	ESD resistance all I/O (note 2)	V_E	-400	400	V

Recommended Operating Conditions (note 3)

	Parameter	Symbol	Min	Max	Unit
1	Case temperature (note 4, fig. 6)	T_{CASE}	0	80	°C
2	Supply voltage (note 5)	V_{CC}	3.3-5%	3.3+5%	V
3	Data rate per channel	f_D	0.155	2.5	Gbps
4	Optical wavelength	λ	830	860	nm
5	CML differential load impedance (Fig. 4)	Z_O	80	120	Ω
6	Power supply noise (1MHz to 2GHz)	V_{NPS}		100	mV_{p-p}

Note 1: Exceeding these values may cause permanent damage. Functional operation under these conditions is not implied.

Note 2: Human body model.

Note 3: Data patterns are to have maximum run lengths and DC balance shifts no worse than those of a Pseudo Random Bit Sequence of length $2^{23}-1$ (PRBS-23).

Note 4: An air flow parallel to the PCB, and parallel with the module's heatsink flanges, is recommended. See figure 6 for information about ambient temperature vs. air flow.

Note 5: The heat sink of the module is at V_{CC} potential. To prevent accidental short circuit to any other component in the system, each module is supplied with an adhesive thermally conductive strip attached to the top of the heat sink.

Characteristics (note 1)

	Parameter	Symbol	Min	Typ	Max	Unit	
1	Power consumption (0.155 to 2.5 Gbps)	P_D			2.4	W	
2	Power supply current	I_{CC}			760	mA	
3	Saturation (average power)	P_{SAT}	-3			dBm	
4	Sensitivity (note 2)	P_{S12}			-15	dBm	
5	Stressed receiver sensitivity (note 3)	P_{SS}			-10.1	dBm	
6	Stressed receiver eye opening (note 4)	P_{SE}	108			ps	
7	Jitter	Total (note 5)	T_J		153	ps _{p-p}	
8	Contribution	Deterministic (note 6)	D_J		46	ps _{p-p}	
9	CML differential output rise/fall time (20-80%, Fig. 5)		t_{RC}, t_{FC}		160	ps	
10	CML differential output voltage (Fig. 3,4,5)		V_{OCML}	250	350	450	mV
11	CML differential output reflection coefficient		S_{22}		-5	dB	
12	Channel skew (note 7)		t_{SK}		175	ps	
13	Return Loss (note 9)		RL	12		dB	
14	NMOS output voltage	Low ($I_{sink} = 3mA$)	V_{LNMOS}		0.4	V	
15		High	V_{HNMOS}	2.4		V	
16	Receiver Signal Detect (RX_SD) (note 8)	Assert level	P_{AS}		-15.5	dBm	
17		De-assert level	P_{DS}	-31		dBm	
18		Hysteresis	$P_{AS}-P_{DS}$	0.5		dBm	
19		Assert time (fig. 7)	T_{AS}		10	μs	
20		De-assert time (fig. 7)	T_{DS}		10	μs	

Note 1: Operating conditions are as per Recommended Operating Conditions. Test pattern PRBS-23 at 2.5Gbps with 50/125μm fiber, unless otherwise specified.

Note 2: Sensitivity for a channel (as defined in IEEE 802.3z Gigabit Ethernet) is specified at a BER of 10^{-12} using a fast rise/fall time source with low RIN and Extinction Ratio not less than 6 dB. All channels not under test are receiving signals with an average input power of 6 dB, or higher, above worst case sensitivity.

Note 3: The stressed receiver sensitivity is measured using 2.4 dB Inter-Symbol Interference, ISI, (min), 33 ps Duty Cycle Dependent Deterministic Jitter, DCD DJ (min) and 6 dB ER (ER Penalty = 2.2 dB). All channels not under test are receiving signals with an average input power of 6 dB, or higher, above worst case sensitivity.

Note 4: The stressed receiver eye opening represents the eye at TP4 as defined in IEEE 802.3z Gigabit Ethernet Specification 38.5. The stressed receiver eye opening is measured using 2.4 dB ISI (min), 33 ps DCD DJ (min), 6 dB ER (ER Penalty = 2.2 dB) and an average input optical power of -9.6 dBm (0.5 dB above Minimum Stressed Receiver Sensitivity as defined in IEEE 802.3z Gigabit Ethernet Specification Section 38.5). All channels not under test are receiving signals with an average input power of 6 dB, or higher, above worst case sensitivity.

Note 5: Total Jitter, T_J , equals TP3 to TP4 as defined in IEEE 802.3z Gigabit Ethernet Specification 38.5. Total jitter is specified at a BER of 10^{-12} ($T_J=DJ+RJ_{rms} \times 2Q$, where $Q=7$ for BER 10^{-12} and RJ =Random Jitter).

Note 6: Deterministic jitter includes duty cycle distortion.

Note 7: Electrical channel skew is measured with the input signals having equal amplitude and no input optical channel skew.

Note 8: All channels not under test are receiving signals with an average input power of 6 dB, or higher, above the channel under test.

Note 9: Return loss is the ratio between received optical power and optical power reflected back into the fiber.

Cleaning the Optical Interface

A protective connector plug is supplied with each module. This plug should remain in place prior to use, and be re-attached whenever a fiber cable is not inserted. This will keep the optical interface free from dust or other contaminants, which may potentially degrade the optical signal. Before re-attaching the connector plug to the module, visually inspect the plug and remove any contamination. If the optical interface becomes contaminated, it can be cleaned with high-pressure nitrogen. Liquids or physical contact with the optical interface are not advised due to potential damage.

Assembly on Printed Circuit Board

The module can be soldered by hand or by a reflow process.

- For hand soldering, a soldering iron with its tip connected to ground should be used. Solder extractors, including replacement parts, should be of the non-static generating type.
- For reflow soldering, the recommendations advised by Zarlink in the technical note "MFTN6005A Manufacturing Guidelines" should be followed. This document provides guidelines about choice of solder, reflow temperature and time profile etc.

Use of solder with no-clean flux, i.e. solder that does not require washing after assembly, is recommended. Washing the module with any kind of liquid is not advised due to potential damage.

Electrostatic Discharge (ESD)

The module is classified as Class 1 according to MIL-STD-883, test method 3015. When handling the modules, precautions for ESD sensitive devices should be taken. These precautions include use of ESD protected work areas with wrist straps, controlled work benches, floors etc. The recommendations advised by Zarlink in the technical note "MFTN6005A Manufacturing Guidelines" should be followed.

Electromagnetic Interference (EMI)

- Emission: The electromagnetic emission is tested in front of the module (module fitted with EMI shield "-JOS option"), with the module mounted in a front-panel cutout as shown in fig. 10. The specification is to FCC Class B with 6dB margin.
- Immunity: The electromagnetic immunity is tested without a front panel or enclosure. The module specification is maintained with an applied field of 10V/m for frequencies between 80MHz and 1GHz.

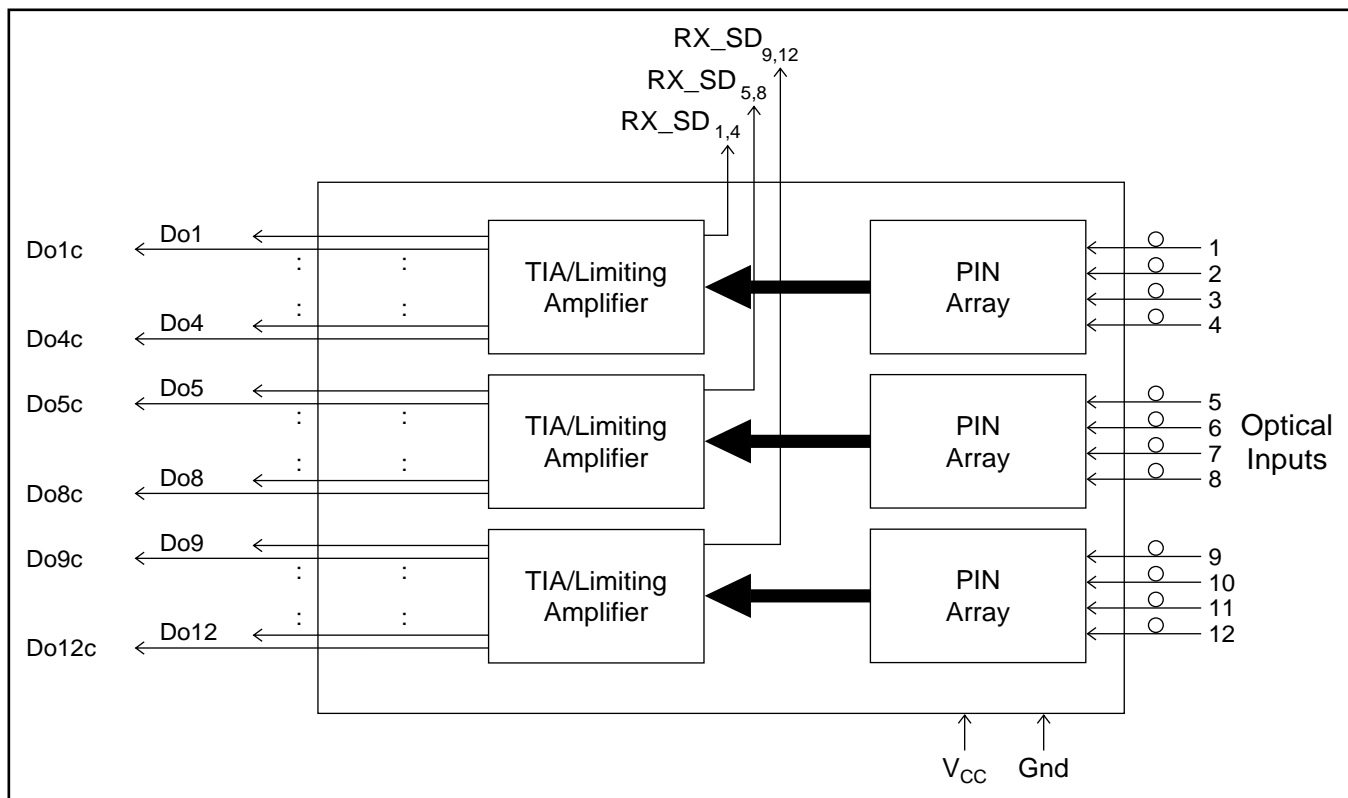


Figure 2 - Block Diagram

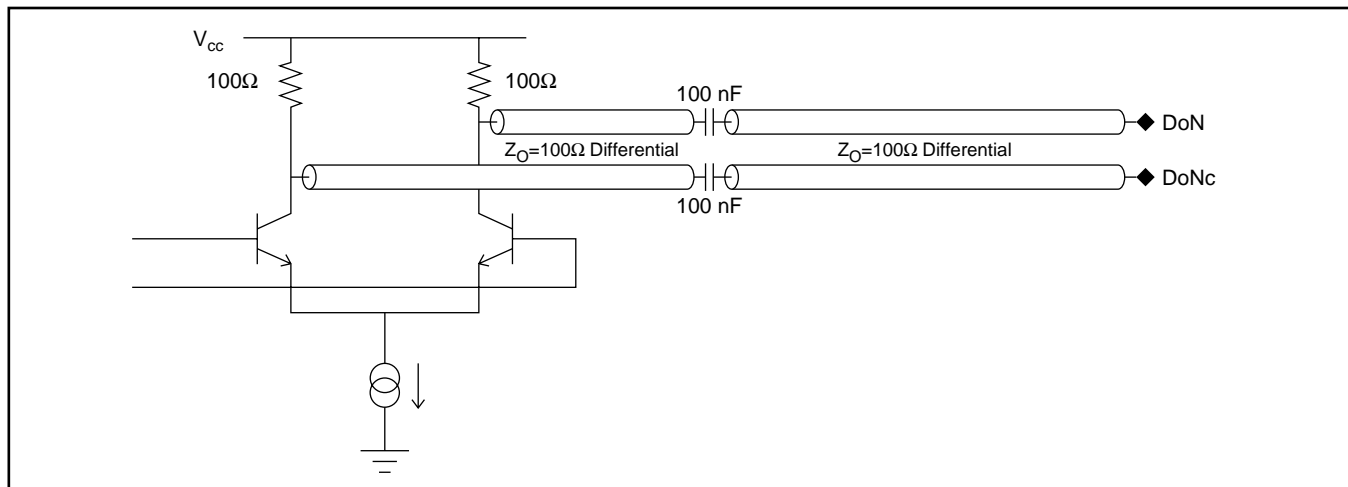


Figure 3 - Data Output Equivalent Circuit

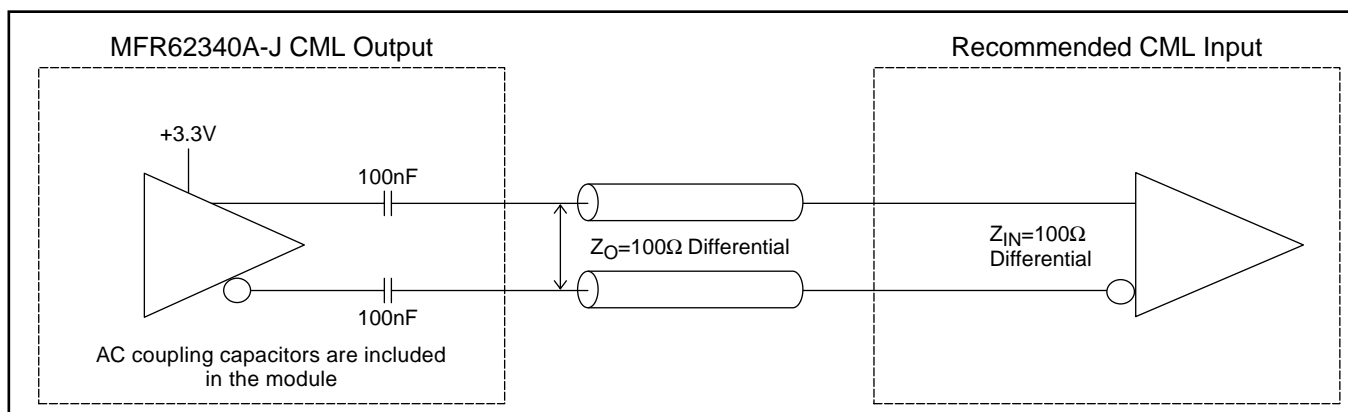


Figure 4 - Differential CML Interface

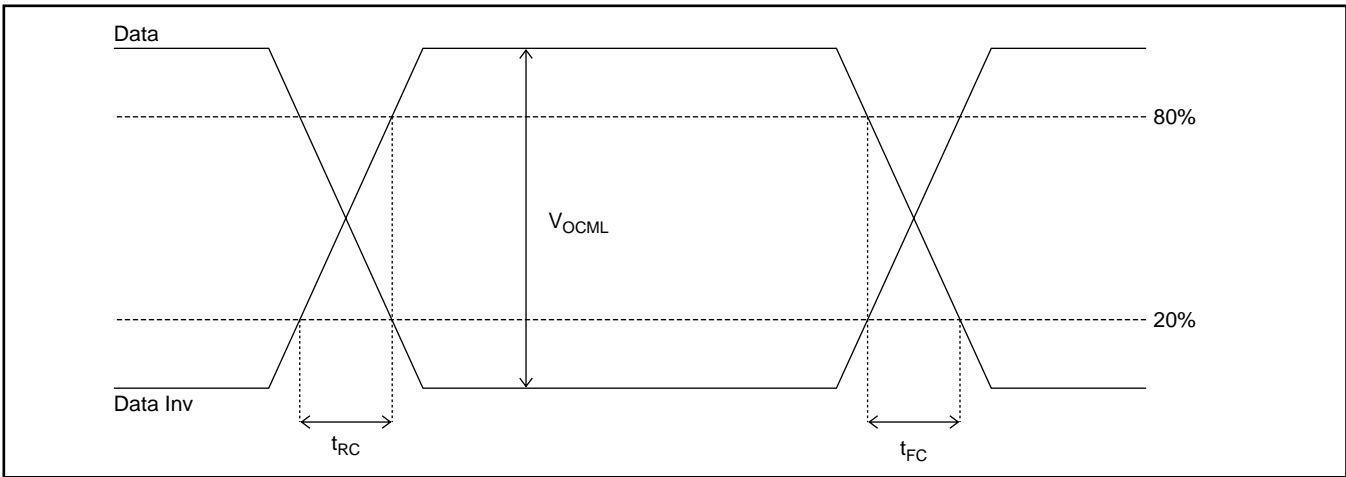


Figure 5 - CML Differential Signals

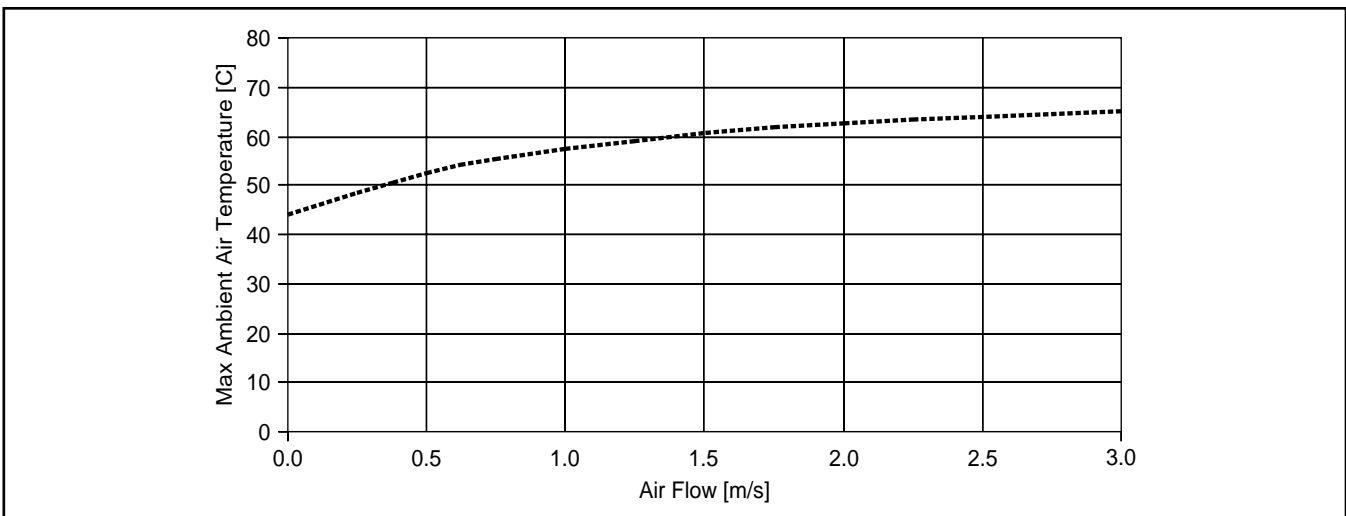


Figure 6 - Max Air Temperature vs. Air Flow for Case Temperature Max 80°C

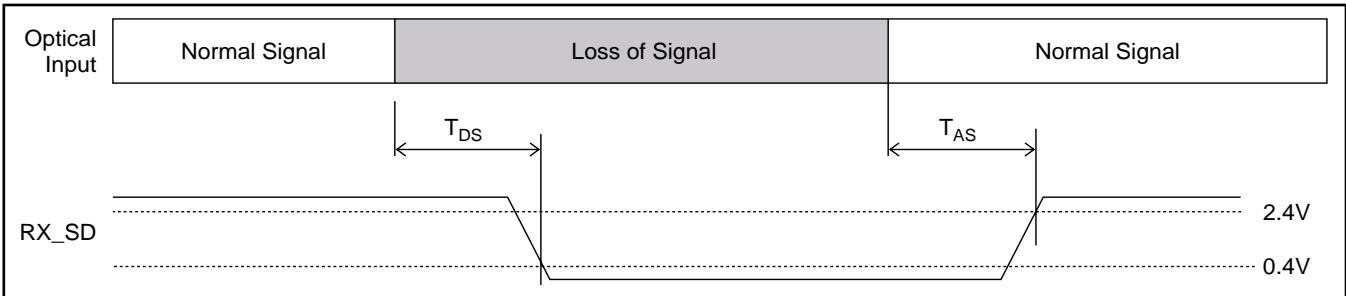


Figure 7 - Receiver Signal Detect Timing Diagram

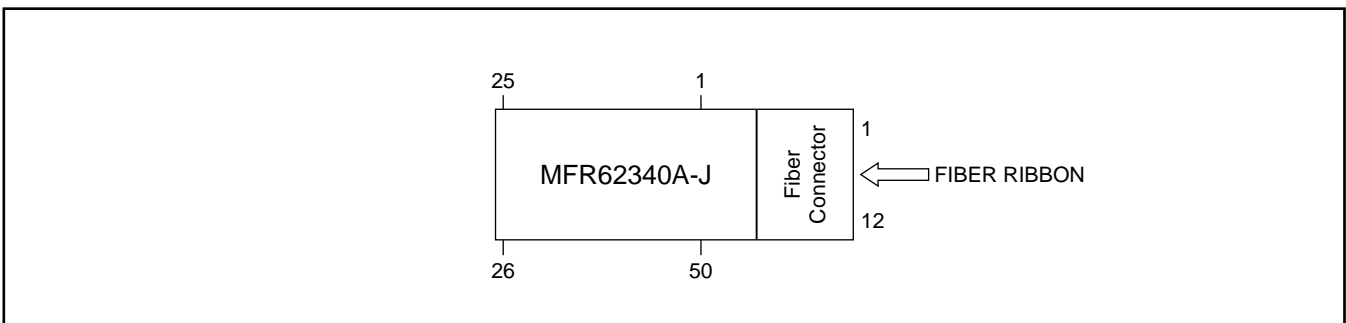


Figure 8 - Pin Assignment (Top View)

Pin Description

No	Name	Logic	Description
1	Gnd		Ground
2	V _{CC}		Positive power supply
3	V _{CC}		Positive power supply
4	RX_SD _{1,4}	NMOS	Receiver Signal Detect channels 1 and 4 (channels 2 and 3 are not monitored). High = Signal detected. Low = No signal detected. Open drain with internal pull-up resistor 40kΩ (note 1).
5	RX_SD _{5,8}	NMOS	Receiver Signal Detect channels 5 and 8 (Channels 6 and 7 are not monitored). High = Signal detected. Low = No signal detected. Open drain with internal pull-up resistor 40kΩ (note 1).
6	RX_SD _{9,12}	NMOS	Receiver Signal Detect channels 9 and 12 (channels 10 and 11 are not monitored). High = Signal detected. Low = No signal detected. Open drain with internal pull-up resistor 40kΩ (note 1).
7	Gnd		Ground
8	Do1	CML	Data output No 1.
9	Do1c	CML	Data output No 1, inv
10	Gnd		Ground
11	Do2	CML	Data output No 2.
12	Do2c	CML	Data output No 2, inv.
13	Gnd		Ground
14	Do3	CML	Data output No 3.
15	Do3c	CML	Data output No 3, inv.
16	Gnd		Ground
17	Do4	CML	Data output No 4.
18	Do4c	CML	Data output No 4, inv.
19	Gnd		Ground
20	Do5	CML	Data output No 5.
21	Do5c	CML	Data output No 5, inv.
22	Gnd		Ground
23	Do6	CML	Data output No 6.
24	Do6c	CML	Data output No 6, inv.
25	Gnd		Ground

No	Name	Logic	Description
50	Gnd		Ground
49	V _{CC}		Positive power supply
48	V _{CC}		Positive power supply
47			Not Connected
46			Not Connected
45			Not Connected
44	Gnd		Ground
43	Do12c	CML	Data output No 12, inv.
42	Do12	CML	Data output No 12.
41	Gnd		Ground
40	Do11c	CML	Data output No 11, inv.
39	Do11	CML	Data output No 11.
38	Gnd		Ground
37	Do10c	CML	Data output No 10, inv.
36	Do10	CML	Data output No 10.
35	Gnd		Ground
34	Do9c	CML	Data output No 9, inv.
33	Do9	CML	Data output No 9.
32	Gnd		Ground
31	Do8c	CML	Data output No 8, inv.
30	Do8	CML	Data output No 8.
29	Gnd		Ground
28	Do7c	CML	Data output No 7, inv.
27	Do7	CML	Data output No 7.
26	Gnd		Ground

Note 1: All RX_SD pins may be tied together (wired OR) to create one Receiver Signal Detect (RX_SD) output.

Mechanical Drawings

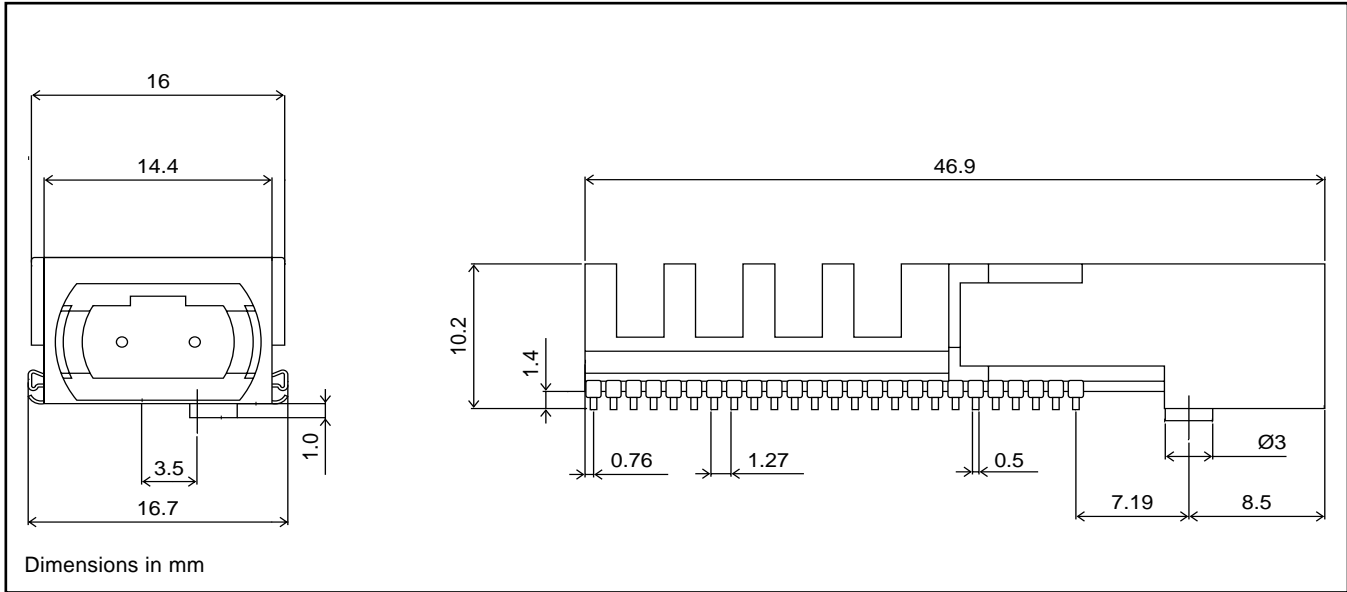


Figure 9 - MFR62340A-JO: MPO/MTP Connector Option

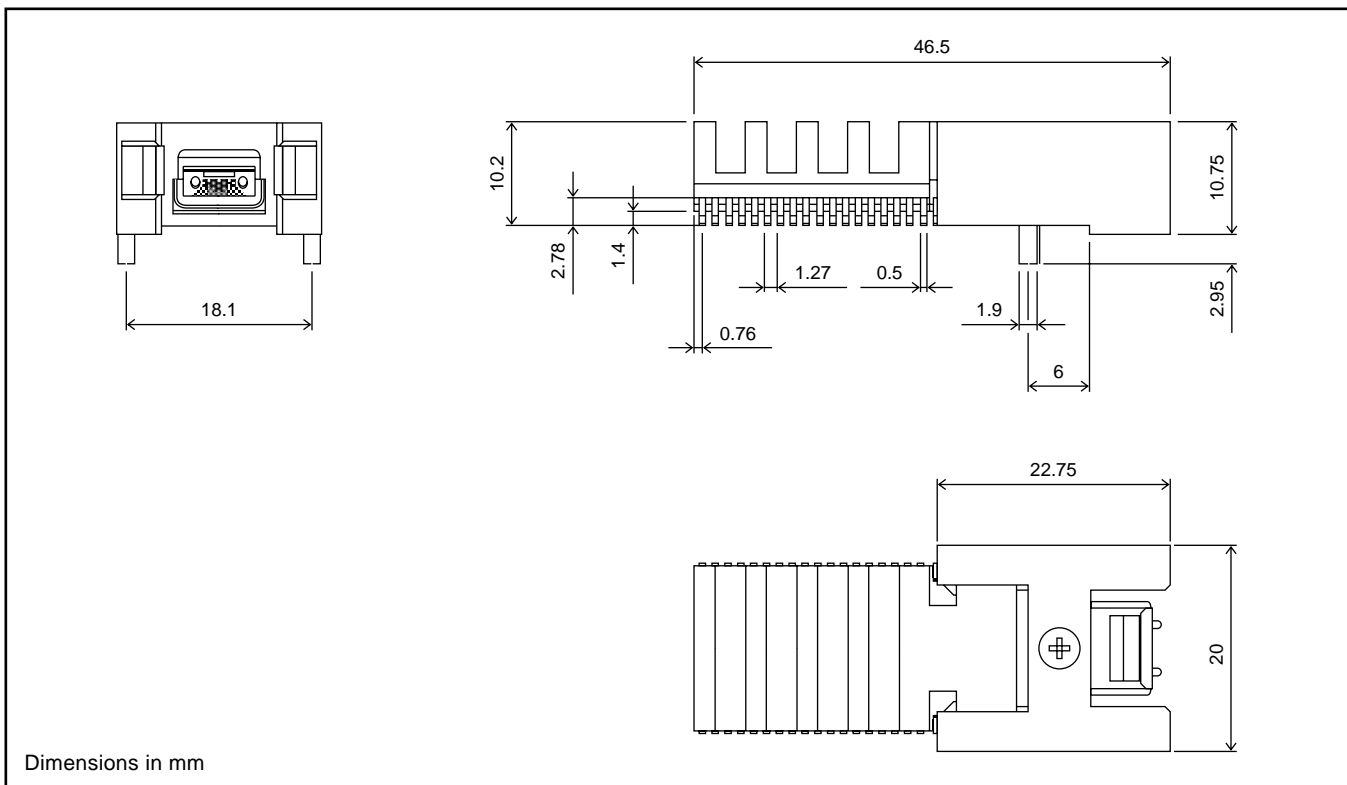


Figure 10 - MFR62340A-JX: MPX Connector Option

PCB Footprints

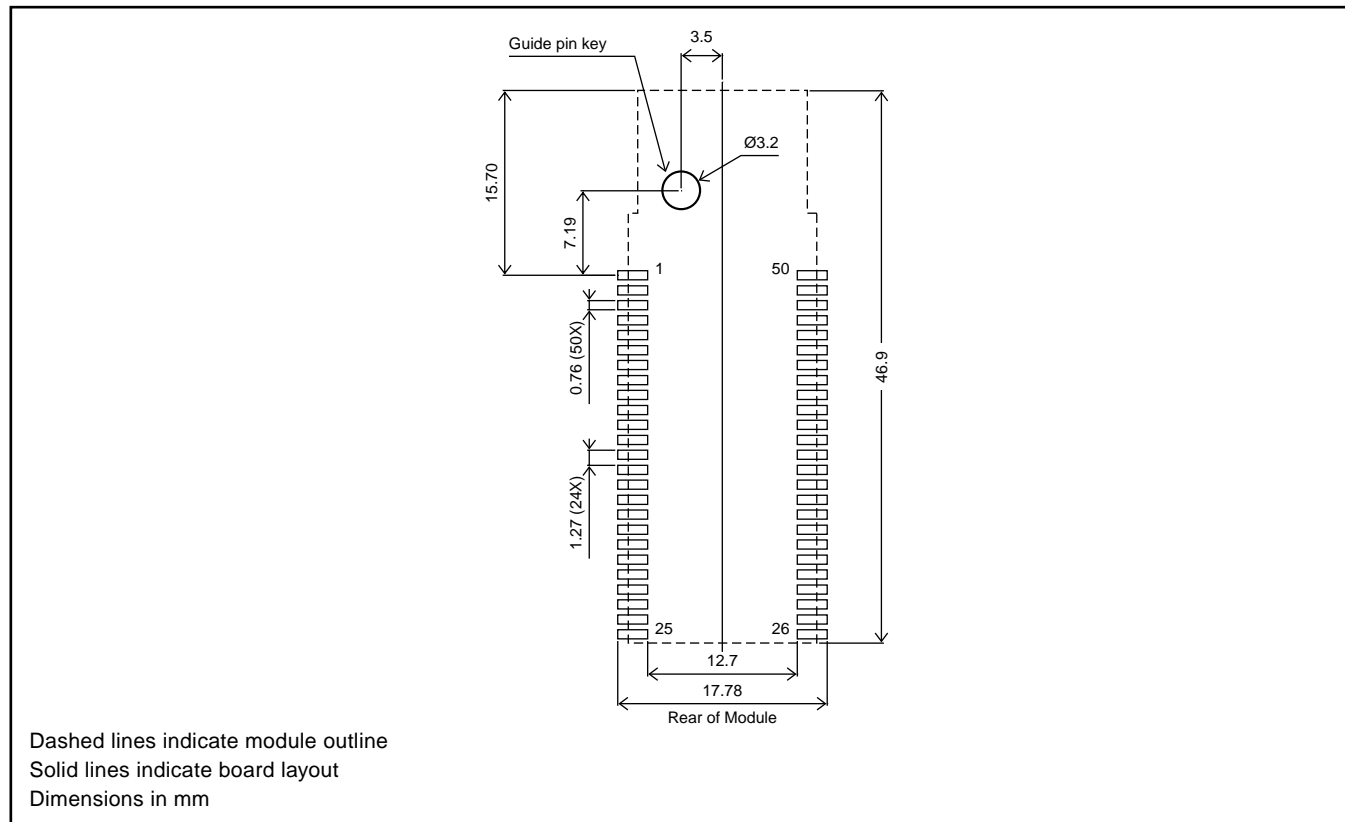


Figure 11 - MFR62340A-JO: MPO/MTP Connector Option (Top View)

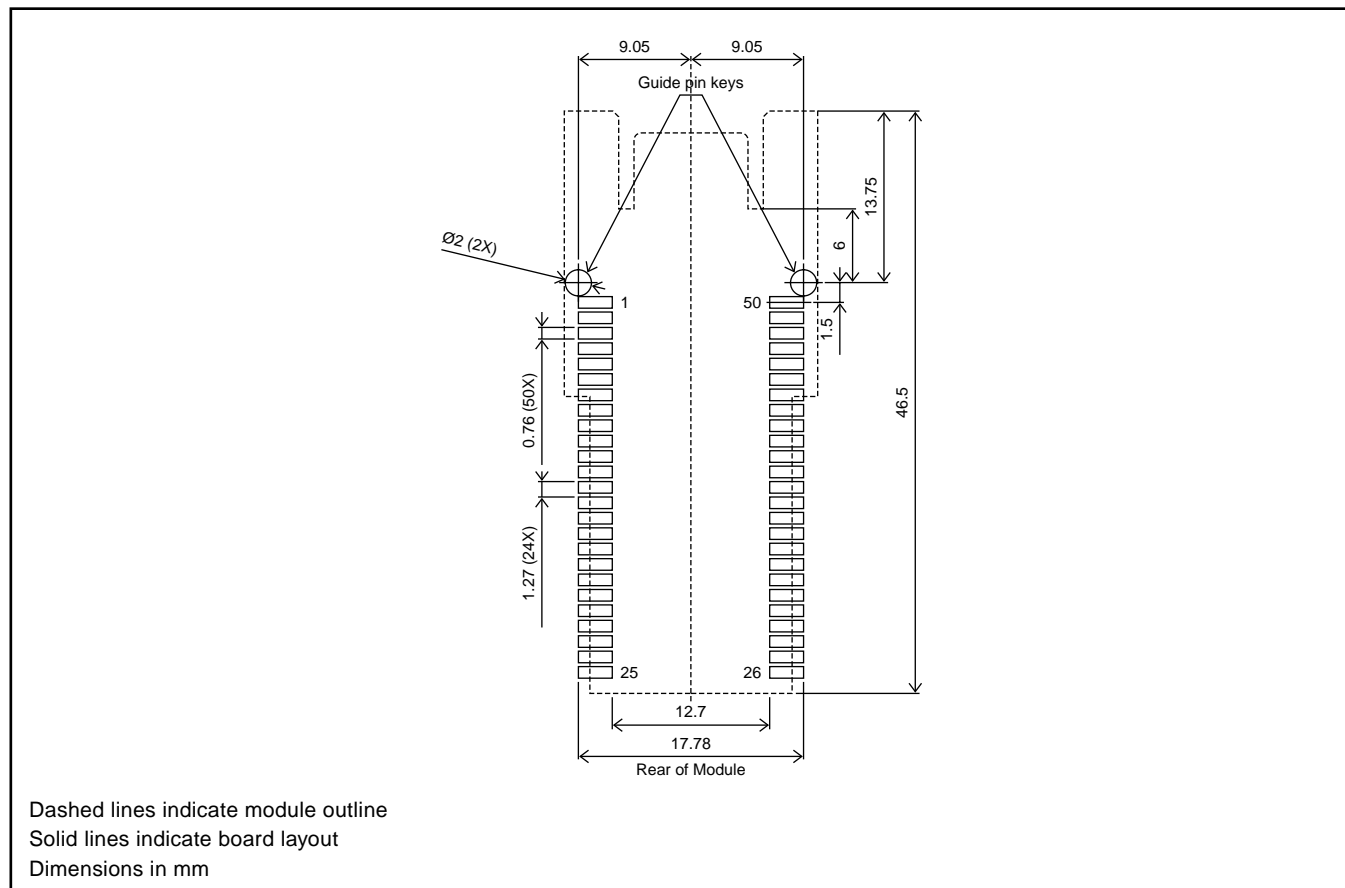


Figure 12 - MFR62340A-JX: MPX Connector Option (Top View)

Electrical Connections

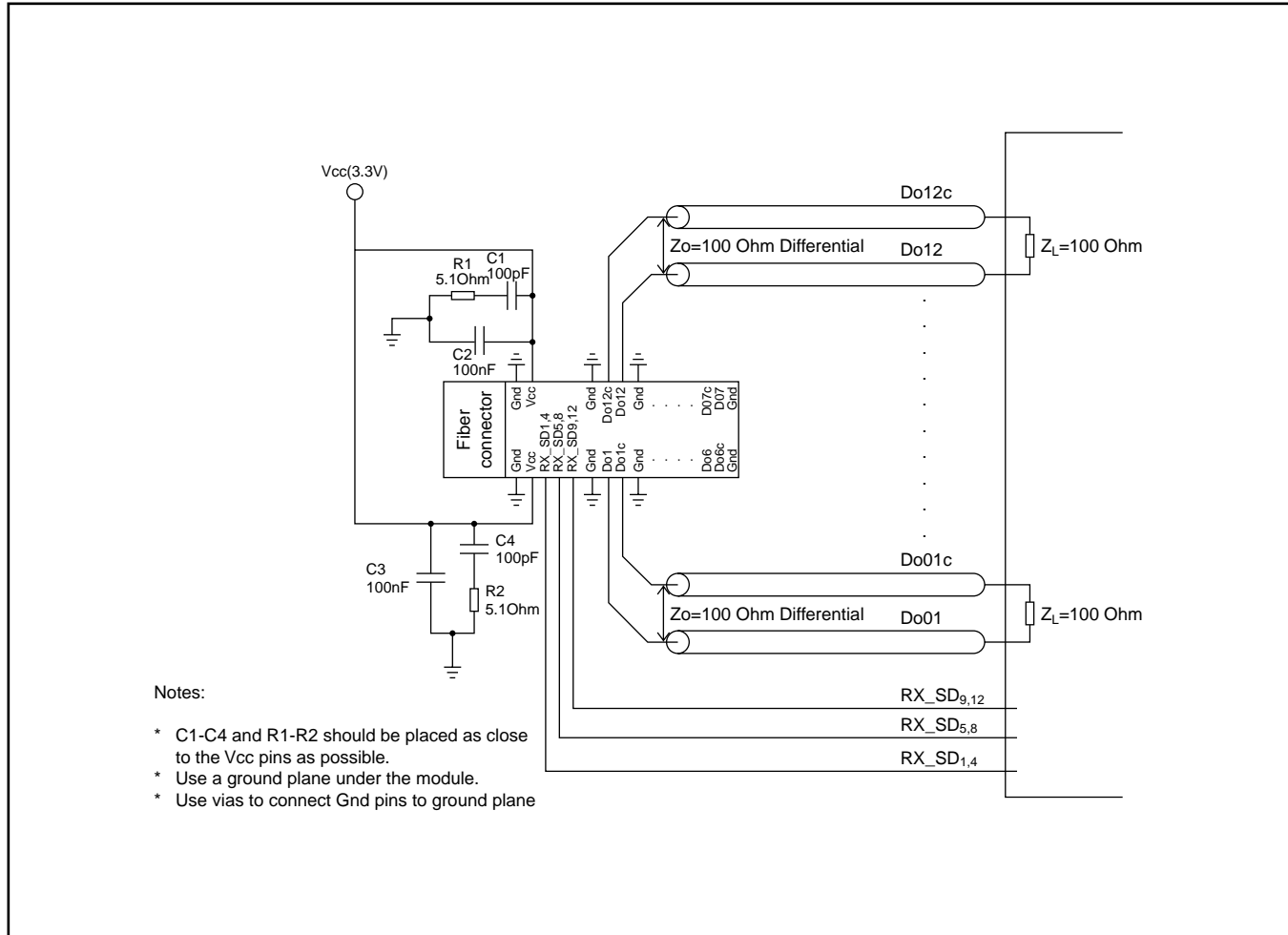


Figure 15 - Recommended Electrical Connections



<http://www.zarlink.com>

World Headquarters - Canada

Tel: +1 (613) 592 0200

Fax: +1 (613) 592 1010

North America - West Coast

Tel: (858) 675-3400

Fax: (858) 675-3450

North America - East Coast

Tel: (978) 322-4800

Fax: (978) 322-4888

Asia/Pacific

Tel: +65 333 6193

Fax: +65 333 6192

**Europe, Middle East,
and Africa (EMEA)**

Tel: +44 (0) 1793 518528

Fax: +44 (0) 1793 518581

Information relating to products and services furnished herein by Zarlink Semiconductor Inc. trading as Zarlink Semiconductor or its subsidiaries (collectively "Zarlink") is believed to be reliable. However, Zarlink assumes no liability for errors that may appear in this publication, or for liability otherwise arising from the application or use of any such information, product or service or for any infringement of patents or other intellectual property rights owned by third parties which may result from such application or use. Neither the supply of such information or purchase of product or service conveys any license, either express or implied, under patents or other intellectual property rights owned by Zarlink or licensed from third parties by Zarlink, whatsoever. Purchasers of products are also hereby notified that the use of product in certain ways or in combination with Zarlink, or non-Zarlink furnished goods or services may infringe patents or other intellectual property rights owned by Zarlink.

This publication is issued to provide information only and (unless agreed by Zarlink in writing) may not be used, applied or reproduced for any purpose nor form part of any order or contract nor to be regarded as a representation relating to the products or services concerned. The products, their specifications, services and other information appearing in this publication are subject to change by Zarlink without notice. No warranty or guarantee express or implied is made regarding the capability, performance or suitability of any product or service. Information concerning possible methods of use is provided as a guide only and does not constitute any guarantee that such methods of use will be satisfactory in a specific piece of equipment. It is the user's responsibility to fully determine the performance and suitability of any equipment using such information and to ensure that any publication or data used is up to date and has not been superseded. Manufacturing does not necessarily include testing of all functions or parameters. These products are not suitable for use in any medical products whose failure to perform may result in significant injury or death to the user. All products and materials are sold and services provided subject to Zarlink Semiconductor's conditions of sale which are available on request.

Purchase of Zarlink's I²C components conveys a licence under the Philips I²C Patent rights to use these components in an I²C System, provided that the system conforms to the I²C Standard Specification as defined by Philips

Zarlink and the Zarlink Semiconductor logo are trademarks of Zarlink Semiconductor Inc.
Copyright 2001, Zarlink Semiconductor Inc. All rights reserved.

TECHNICAL DOCUMENTATION - NOT FOR RESALE