



# CONNOR-WINFIELD CORPORATION

AURORA, IL. 60505  
PHONE (630) 851-4722  
FAX (630) 851-5040

## OSCILLATORS

# HIGH FREQUENCY VCXO

SPECIFICATIONS	AV51-*	AV52-*	AV53-*	AV54-*	AV55-*
Frequency Range	14MHz to 100MHz				
Frequency Stability	±25ppm	±50ppm	±100ppm	±20ppm	±10ppm
Temperature Range	0°C to +70°C				
Waveform	ACMOS Squarewave, TTL Compatible				
Output	Voltage	4.4V Minimum			
	Voh	0.44V Maximum			
	Vol	-24mA			
	Current	24mA			
	Ioh	40/60 Maximum			
	Iol	3nS, 15pF Load			
Duty Cycle	10pS Maximum				
Rise/Fall Time	* Deviation Code (add to model number)				
Jitter (RMS)	50	(±25ppm Minimum)			
Frequency Control	100	(±50ppm Minimum)			
	150	(±75ppm Minimum)			
	160	(±80ppm Minimum)			
	200	(±100ppm Minimum) Not available above 65MHz			
	Positive Transfer Characteristic				
	Control Voltage	0.5Vdc to 4.5Vdc			
Center Frequency	2.5Vdc ±0.5Vdc				
Monotonic Linearity	< ±10%				
Input Impedance	≥ 50K ohms				
Modulation Bandwidth	≥ 15KHz				
Supply Voltage	+5Vdc ±5%				
Supply Current	35mA Max <50MHz , 60mA Max <90MHz				
Package	All metal, hermetically sealed, welded package				
Optional Suffix	S	Duty cycle 45/55 Maximum			

**WARNING!** Do not insert oscillator into a hot circuit. Failure to comply will result in damage to oscillator.

Specifications subject to change without notice

BULLETIN #: VX114  
PAGE 1 OF 2

REV: 05  
DATE: 7/7/98

ISSUED BY: \_\_\_\_\_

Dimensional Tolerance: ±.02"  
±.005"



# CONNOR-WINFIELD CORPORATION

AURORA, IL. 60505  
 PHONE (630) 851-4722  
 FAX (630) 851-5040

## OSCILLATORS

EXAMPLE MODEL NUMBER:

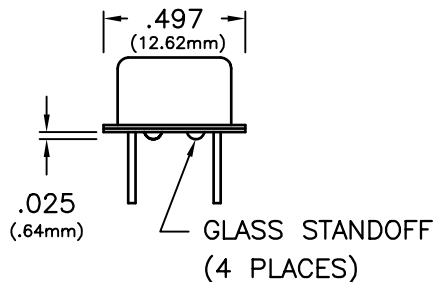
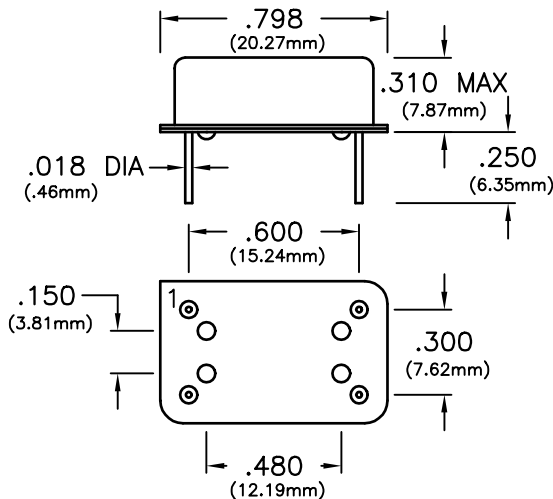
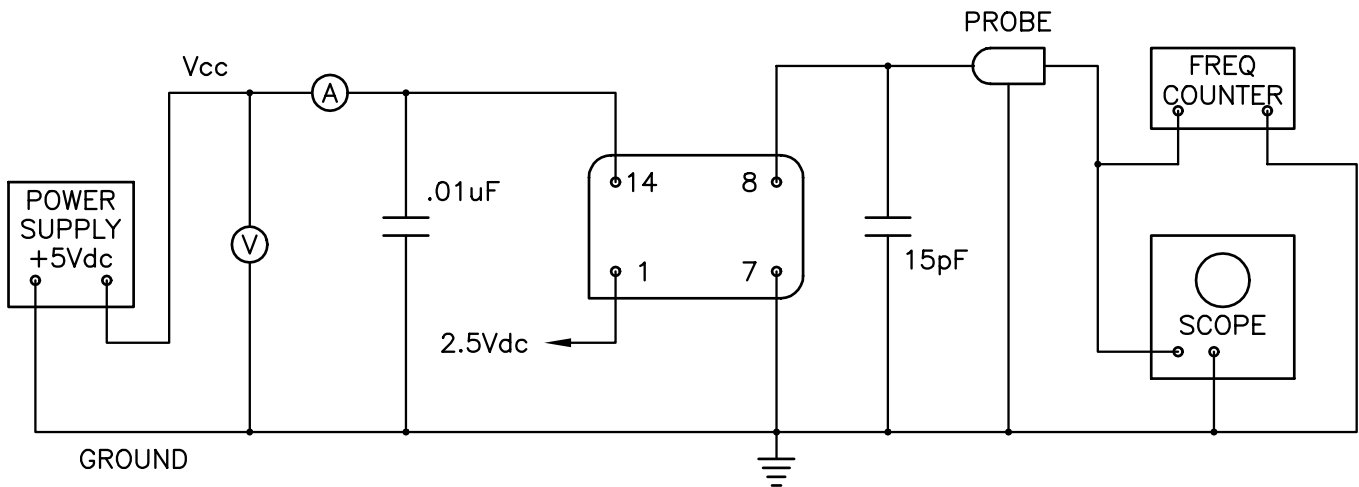
A V 5 3 - 1 0 0 / 4 4 . 7 3 6 M H z

VCXO SERIES

MINIMUM DEVIATION OF  
 $\pm 50$ ppm FROM 0.5  
 TO 4.5Vdc CONTROL  
 VOLTAGE.

CENTER FREQUENCY

### TEST CIRCUIT



PIN	CONNECTION
1	CONTROL VOLTAGE
7	GROUND (CASE)
8	OUTPUT
14	(+) SUPPLY

Specifications subject to change without notice

BULLETIN #: VX114  
 PAGE 2 OF 2

REV: 05  
 DATE: 7/7/98

ISSUED BY: \_\_\_\_\_

Dimensional Tolerance:  $\pm .02$ "  
 $\pm .005$ "