



BURST CellularRAM™

MT45W4MW16BFB MT45W2MW16BFB

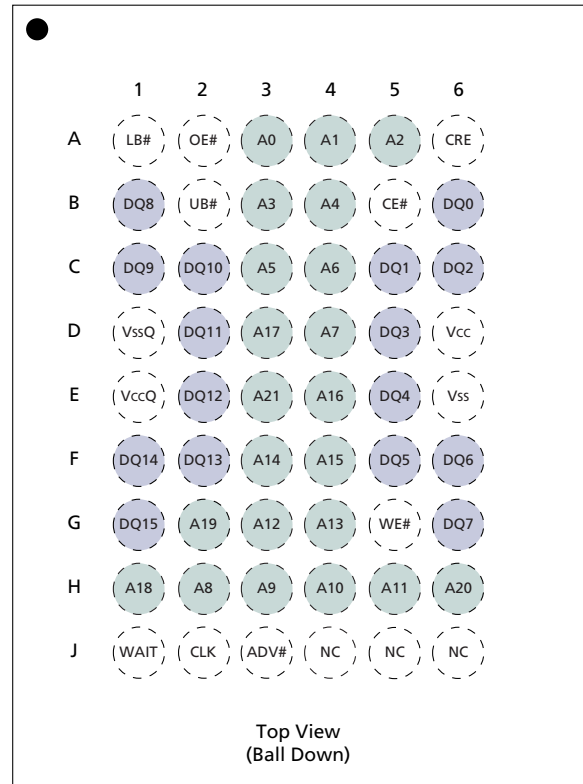
Features

- Single device supports asynchronous, page, and burst operations
- V_{CC}, V_{CCQ} Voltages
 - 1.70V–1.95V V_{CC}
 - 1.70V–2.25V V_{CCQ} (Option W)
 - 2.30V–2.70V V_{CCQ} (Option V—contact factory)
 - 2.70V–3.30V V_{CCQ} (Option L—contact factory)
- Random Access Time: 70ns
- Burst Mode Write Access
 - Continuous burst
- Burst Mode Read Access
 - 4, 8, or 16 words, or continuous burst
 - MAX clock rate: 104 MHz (^tCLK = 9.62ns)
 - Burst initial latency: 39ns (4 clocks) @ 104 MHz
 - ^tACLK: 6.5ns @ 104 MHz
- Page Mode Read Access
 - Sixteen-word page size
 - Interpage read access: 70ns
 - Intrapage read access: 20ns
- Low Power Consumption
 - Asynchronous READ < 25mA
 - Intrapage READ < 15mA
 - Initial access, burst READ: (39ns [4 clocks] @ 104 MHz) < 35mA
 - Continuous burst READ < 15mA
 - Standby: 120µA (64Mb), 110µA (32Mb)—standard
 - 100µA (64Mb), 90µA (32Mb)—low-power option
 - Deep power-down < 10µA
- Low-Power Features
 - Temperature Compensated Refresh (TCR)
 - Partial Array Refresh (PAR)
 - Deep Power-Down (DPD) Mode

Options

Options	Designator
• Configuration:	
4 Meg x 16	MT45W4Mx16B
2 Meg x 16	MT45W2Mx16B
• V _{CC} Core Voltage Supply:	
1.80V – MT45WxMx16B	W
• V _{CCQ} I/O Voltage	
3.0V – MT45WxML16B	L ¹
2.5V – MT45WxMV16B	V ¹
1.8V – MT45WxMW16B	W
• Package	
54-ball VFBGA	FB
54-ball VFBGA—Lead-free	BB ¹
• Timing	
60ns access	-60 ¹
70ns access	-70
85ns access	-85

**Figure 1: Ball Assignment
54-Ball VFBGA**



See Table 1 on page 6 for ball descriptions, and Figure 45 on page 52 for 54-ball mechanical drawing.

Options (continued)

Options (continued)	Designator
• Frequency	
66 MHz	6
80 MHz	8
104 MHz	1 ¹
• Standby power	
Standard	None
Low-power	L
• Operating Temperature Range	
Wireless (-25°C to +85°C)	WT
Industrial (-40°C to +85°C)	IT ¹

1. Contact factory.

Part Number Example:
MT45W2MW16BFB-706LWT



Table of Contents

Features	1
Table of Contents	2
List of Tables	3
List of Figures	4
General Description	5
Functional Description	9
Power-Up Initialization	9
Bus Operating Modes	9
Asynchronous Mode	9
Page Mode READ Operation	10
Burst Mode Operation	10
Mixed-Mode Operation	12
Wait Operation	12
LB#/UB# Operation	12
Low-Power Operation	14
Standby Mode Operation	14
Temperature Compensated Refresh	14
Partial Array Refresh	14
Deep Power-Down Operation	14
Configuration Registers	14
Access Using CRE	14
Software Access	16
Bus Configuration Register	17
Burst Length (BCR[2:0]) Default = Continuous Burst	18
Burst Wrap (BCR[3]) Default = Burst No Wrap	18
Output Impedance (BCR[5]) Default = Outputs Use Full Drive Strength	18
WAIT Configuration (BCR[8]) Default = WAIT Transitions One Clock Before Data Valid/Invalid	19
WAIT Polarity (BCR[10]) Default = WAIT Active HIGH	19
Latency Counter (BCR[13:11]) Default = Three-Clock Latency	20
Operating Mode (BCR[15]) Default = Asynchronous Operation	20
Refresh Configuration Register	21
Partial Array Refresh (RCR[2:0]) Default = Full Array Refresh	21
Deep Power-Down (RCR[4]) Default = DPD Disabled	22
Temperature Compensated Refresh (RCR[6:5]) Default = +85°C Operation	22
Page Mode Operation (RCR[7]) Default = Disabled	22
Absolute Maximum Ratings	23
Timing Diagrams	30
Data Sheet Designation: PRELIMINARY	52
Revision History	53



List of Tables

Table 1:	VFBGA Ball Descriptions	6
Table 2:	Bus Operations – Asynchronous Mode	7
Table 3:	Bus Operations – Burst Mode	7
Table 4:	Bus Configuration Register Definition	17
Table 5:	Sequence and Burst Length	18
Table 6:	Latency Configuration	20
Table 7:	Refresh Configuration Register Mapping	21
Table 8:	64Mb Address Patterns for PAR (RCR[4] = 1)	22
Table 9:	32Mb Address Patterns for PAR (RCR[4] = 1)	22
Table 10:	Electrical Characteristics and Operating Conditions	23
Table 11:	Temperature Compensated Refresh Specifications and Conditions	24
Table 12:	Partial Array Refresh Specifications and Conditions	24
Table 13:	Deep Power-Down Specifications	24
Table 14:	Capacitance	25
Table 15:	Output Load Circuit	25
Table 16:	Asynchronous READ Cycle Timing Requirements	26
Table 17:	Burst READ Cycle Timing Requirements	27
Table 18:	Asynchronous WRITE Cycle Timing Requirements	28
Table 19:	Burst WRITE Cycle Timing Requirements	29
Table 20:	Initialization Timing Parameters	30
Table 21:	Asynchronous READ Timing Parameters	31
Table 22:	Asynchronous READ Timing Parameters Using ADV#	32
Table 23:	Asynchronous READ Timing Parameters—Page Mode Operation	33
Table 24:	Burst READ Timing Parameters—Single Access	34
Table 25:	Burst READ Timing Parameters—4-Word Burst	35
Table 26:	Burst READ Timing Parameters—4-Word Burst with LB#/UB#	36
Table 27:	Burst READ Timing Parameters—Burst Suspend	37
Table 28:	Burst READ Timing Parameters—BCR[8] = 0	38
Table 29:	Asynchronous WRITE Timing Parameters—CE#-Controlled	39
Table 30:	Asynchronous WRITE Timing Parameters—LB#/UB#-Controlled	40
Table 31:	Asynchronous WRITE Timing Parameters—WE#-Controlled	41
Table 32:	Asynchronous WRITE Timing Parameters Using ADV#	42
Table 33:	Burst WRITE Timing Parameters	43
Table 34:	Burst WRITE Timing Parameters—BCR[8] = 0	44
Table 35:	WRITE Timing Parameters—Burst WRITE Followed by Burst READ	45
Table 36:	READ Timing Parameters—Burst WRITE Followed by Burst READ	45
Table 37:	WRITE Timing Parameters—Async WRITE Followed by Burst READ	46
Table 38:	READ Timing Parameters—Async WRITE Followed by Burst READ	46
Table 39:	WRITE Timing Parameters—Async WRITE Followed by Burst READ—ADV# LOW	47
Table 40:	READ Timing Parameters—Async WRITE Followed by Burst READ—ADV# LOW	47
Table 41:	Burst READ Timing Parameters—Burst READ Followed by Async WRITE (WE#-Control)	48
Table 42:	Asynchronous WRITE Timing Parameters—Burst READ Followed by Async WRITE (WE#-Control)	48
Table 43:	Burst READ Timing Parameters—Burst READ Followed by Async WRITE Using ADV#	49
Table 44:	Asynchronous WRITE Timing Parameters—Burst READ Followed by Async WRITE Using ADV#	49
Table 45:	WRITE Timing Parameters—Async WRITE Followed by Async READ—ADV# LOW	50
Table 46:	READ Timing Parameters—Async WRITE Followed by Async READ—ADV# LOW	50
Table 47:	WRITE Timing Parameters—Async WRITE Followed by Async READ	51
Table 48:	READ Timing Parameters—Async WRITE Followed by Async READ	51



List of Figures

Figure 1	Ball Assignment 54-Ball VFPGA	1
Figure 2	Functional Block Diagram – 4 Meg x 16 and 2 Meg x 16.	5
Figure 3	Part Number Chart	8
Figure 4	Power-Up Initialization Timing.	9
Figure 5	READ Operation (ADV = LOW)	9
Figure 6	WRITE Operation (ADV = LOW)	9
Figure 7	Page Mode READ Operation (ADV = LOW).	10
Figure 8	Burst Mode READ (4-word burst)	11
Figure 9	Burst Mode WRITE (4-word burst)	11
Figure 10	Wired or WAIT Configuration	12
Figure 11	Refresh Collision During READ Operation	13
Figure 12	Refresh Collision During WRITE Operation	13
Figure 13	Configuration Register WRITE in Asynchronous Mode Followed by READ	15
Figure 14	Configuration Register WRITE in Synchronous Mode Followed by READ	15
Figure 15	Load Configuration Register	16
Figure 16	Read Configuration Register	16
Figure 17	WAIT Configuration (BCR[8] = 0)	19
Figure 18	WAIT Configuration (BCR[8] = 1)	19
Figure 19	WAIT Configuration During Burst Operation.	19
Figure 20	Latency Counter	20
Figure 21	AC Input/Output Reference Waveform.	25
Figure 22	Output Load Circuit	25
Figure 23	Initialization Period	30
Figure 24	Asynchronous READ	31
Figure 25	Asynchronous READ Using ADV#.	32
Figure 26	Page Mode READ	33
Figure 27	Single-Access Burst READ Operation.	34
Figure 28	4-Word Burst READ Operation	35
Figure 29	4-Word Burst READ Operation (with LB#/UB#)	36
Figure 30	READ Burst Suspend	37
Figure 31	Continuous Burst READ with Output Delay, BCR[8] = 0(1) for End-of-Row Condition	38
Figure 32	CE#-Controlled Asynchronous WRITE	39
Figure 33	LB#/UB#-Controlled Asynchronous WRITE.	40
Figure 34	WE#-Controlled Asynchronous WRITE.	41
Figure 35	Asynchronous WRITE Using ADV#.	42
Figure 36	Burst WRITE Operation.	43
Figure 37	Continuous Burst WRITE with Output Delay, BCR[8] = 0(1) for End-of-Row Condition	44
Figure 38	Burst WRITE Followed by Burst READ.	45
Figure 39	Asynchronous WRITE Followed by Burst READ	46
Figure 40	Asynchronous WRITE Followed By Burst READ—ADV# LOW.	47
Figure 41	Burst READ Followed by Asynchronous WRITE (WE#-Controlled)	48
Figure 42	Burst READ Followed by Asynchronous WRITE Using ADV#.	49
Figure 43	Asynchronous WRITE Followed by Asynchronous READ—ADV# LOW.	50
Figure 44	Asynchronous WRITE Followed by Asynchronous READ	51
Figure 45	54-Ball VFPGA.	52



General Description

Micron® CellularRAM™ products are high-speed, CMOS dynamic random access memories developed for low-power, portable applications. The MT45W4MW16BFB is a 64Mb device organized as 4 Meg x 16 bits; the MT45W2MW16BFB is a 32Mb device organized as 2 Meg x 16 bits. These devices include an industry-standard burst mode Flash interface that dramatically increases read/write bandwidth compared with other low-power SRAM or Pseudo SRAM offerings.

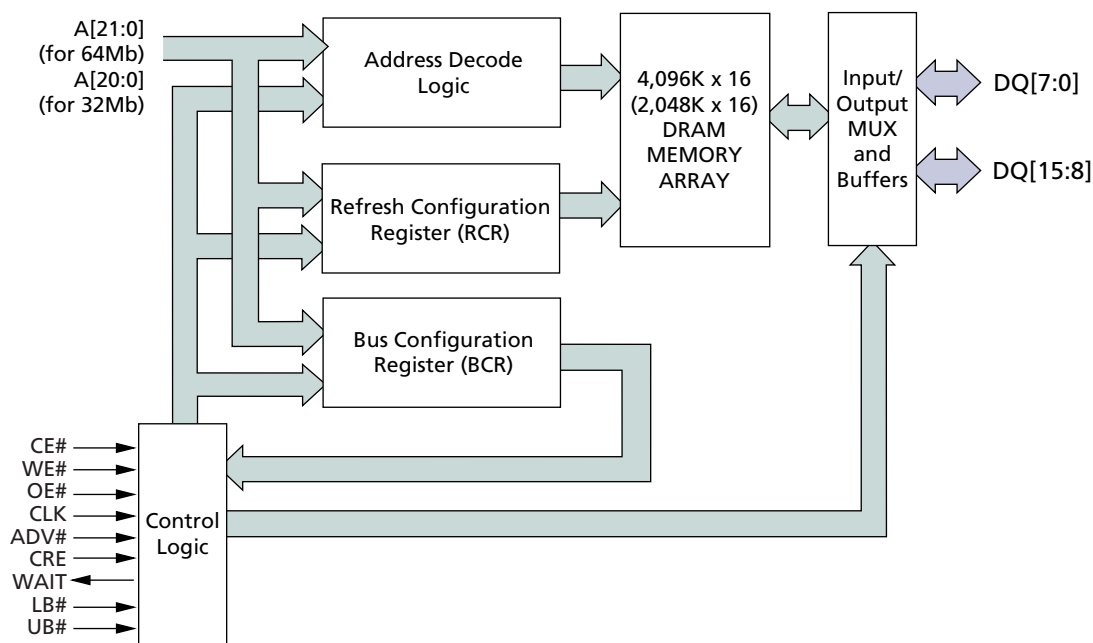
To operate seamlessly on a burst Flash bus, CellularRAM products incorporate a transparent self-refresh mechanism. The hidden refresh requires no additional support from the system memory controller and has no significant impact on device read/write performance.

Two user-accessible control registers define device operation. The bus configuration register (BCR) defines how the CellularRAM device interacts with the system memory bus and is nearly identical to its coun-

terpart on burst mode Flash devices. The refresh configuration register (RCR) is used to control how refresh is performed on the DRAM array. These registers are automatically loaded with default settings during power-up and can be updated anytime during normal operation.

Special attention has been focused on standby current consumption during self refresh. CellularRAM products include three system-accessible mechanisms used to minimize standby current. Partial array refresh (PAR) limits refresh to only that part of the DRAM array that contains essential data. Temperature compensated refresh (TCR) is used to adjust the refresh rate according to the case temperature. The refresh rate can be decreased at lower temperatures to minimize current consumption during standby. Deep power-down (DPD) halts the refresh operation altogether and is used when no vital information is stored in the device. These three refresh mechanisms are accessed through the RCR.

Figure 2: Functional Block Diagram—4 Meg x 16 and 2 Meg x 16



NOTE:

Functional block diagrams illustrate simplified device operation. See truth table, ball descriptions, and timing diagrams for detailed information.


Table 1: VFBGA Ball Descriptions

VFBGA ASSIGNMENT	SYMBOL	TYPE	DESCRIPTION
A3, A4, A5, B3, B4, C3, C4, D4, H2, H3, H4, H5, G3, G4, F3, F4, E4, D3, H1, G2, H6, E3	A[21:0]	Input	Address Inputs: Inputs for addresses during READ and WRITE operations. Addresses are internally latched during READ and WRITE cycles. The address lines are also used to define the value to be loaded into the BCR or the RCR. On the 32Mb device, A21 (ball E3) is not internally connected.
J2	CLK	Input	Clock: Synchronizes the memory to the system operating frequency during synchronous operations. When configured for synchronous operation, the address is latched on the first rising CLK edge when ADV# is active. CLK is static (HIGH or LOW) during asynchronous access READ and WRITE operations and during PAGE READ ACCESS operations.
J3	ADV#	Input	Address Valid: Indicates that a valid address is present on the address inputs. Addresses can be latched on the rising edge of ADV# during asynchronous READ and WRITE operations. ADV# may be held LOW during asynchronous READ and WRITE operations.
A6	CRE	Input	Configuration Register Enable: When CRE is HIGH, WRITE operations load the RCR or BCR.
B5	CE#	Input	Chip Enable: Activates the device when LOW. When CE# is HIGH, the device is disabled and goes into standby or deep power-down mode.
A2	OE#	Input	Output Enable: Enables the output buffers when LOW. When OE# is HIGH, the output buffers are disabled.
G5	WE#	Input	Write Enable: Determines if a given cycle is a WRITE cycle. If WE# is LOW, the cycle is a WRITE to either a configuration register or to the memory array.
A1	LB#	Input	Lower Byte Enable. DQ[7:0]
B2	UB#	Input	Upper Byte Enable. DQ[15:8]
B6, C5, C6, D5, E5, F5, F6, G6, B1, C1, C2, D2, E2, F2, F1, G1	DQ[15:0]	Input/Output	Data Inputs/Outputs.
J1	WAIT	Output	Wait: Provides data-valid feedback during burst READ and WRITE operations. The signal is gated by CE#. WAIT is used to arbitrate collisions between refresh and READ/WRITE operations. WAIT is asserted when a burst crosses a row boundary. WAIT is also used to mask the delay associated with opening a new internal page. WAIT is asserted and should be ignored during asynchronous and page mode operations. WAIT is High-Z when CE# is HIGH.
J4, J5, J6	NC	–	Not internally connected.
D6	VCC	Supply	Device Power Supply: (1.70V–1.95V) Power supply for device core operation.
E1	VCCQ	Supply	I/O Power Supply: (1.70V–1.95V) Power supply for input/output buffers.
E6	VSS	Supply	VSS must be connected to ground.
D1	VSSQ	Supply	VSSQ must be connected to ground.





NOTE:

The CLK and ADV# inputs can be tied to Vss if the device is always operating in asynchronous or page mode. WAIT will be asserted but should be ignored during asynchronous and page mode operations.


Table 2: Bus Operations—Asynchronous Mode

MODE	POWER	CLK ¹	ADV#	CE#	OE#	WE#	CRE	LB#/ UB#	WAIT ²	DQ[15:0] ³	NOTES
Read	Active	X	L	L	L	H	L	L	Low-Z	Data-Out	4
Write	Active	X	L	L	X	L	L	L	Low-Z	Data-In	4
Standby	Standby	X	X	H	X	X	L	X	High-Z	High-Z	5, 6
No Operation	Idle	X	X	L	X	X	L	X	Low-Z	X	4, 6
Configuration Register	Active	X	L	L	H	L	H	X	Low-Z	High-Z	
DPD	Deep Power-Down	X	X	H	X	X	X	X	High-Z	High-Z	7

Table 3: Bus Operations—Burst Mode

MODE	POWER	CLK ¹	ADV#	CE#	OE#	WE#	CRE	LB#/ UB#	WAIT ²	DQ[15:0] ³	NOTES
Async Read	Active	X	L	L	L	H	L	L	Low-Z	Data-Out	4
Async Write	Active	X	L	L	X	L	L	L	Low-Z	Data-In	4
Standby	Standby	X	X	H	X	X	L	X	High-Z	High-Z	5, 6
No Operation	Idle	X	X	L	X	X	L	X	Low-Z	X	4, 6
Initial Burst Read	Active		L	L	X	H	L	L	Low-Z	Data-Out	4, 8
Initial Burst Write	Active		L	L	H	L	L	X	Low-Z	Data-In	4, 8
Burst Continue	Active		H	L	X	X	L	X	Low-Z	Data-In or Data-Out	4, 8
Burst Suspend	Active	X	X	L	H	X	L	X	Low-Z	High-Z	4, 8
Configuration Register	Active		L	L	H	L	H	X	Low-Z	High-Z	8
DPD	Deep Power-Down	X	X	H	X	X	X	X	High-Z	High-Z	7

NOTE:

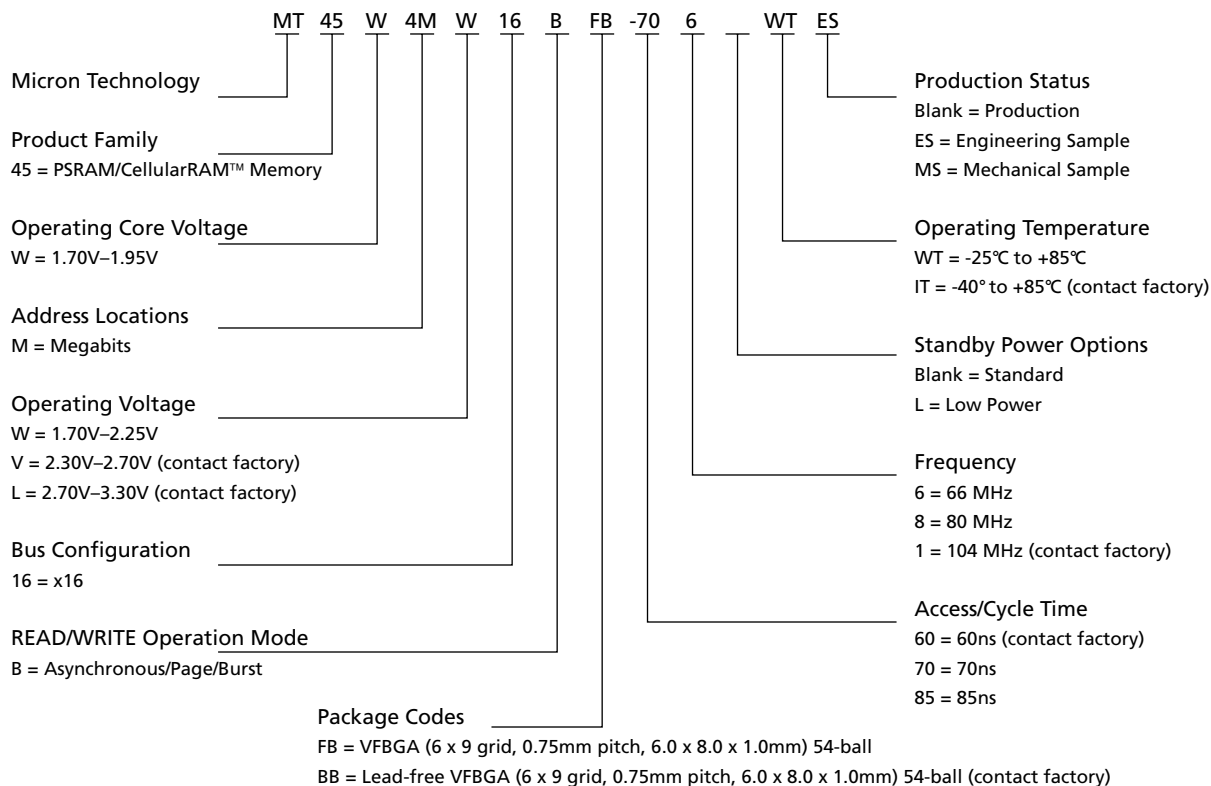
1. CLK may be HIGH or LOW, but must be static during async read, async write, burst suspend, and DPD modes; and to achieve standby power during standby and active modes.
2. The WAIT polarity is configured through the bus configuration register (BCR[10]).
3. When LB# and UB# are in select mode (LOW), DQ[15:0] are affected. When only LB# is in select mode, DQ[7:0] are affected. When only UB# is in the select mode, DQ[15:8] are affected.
4. The device will consume active power in this mode whenever addresses are changed.
5. When the device is in standby mode, address inputs and data inputs/outputs are internally isolated from any external influence.
6. VIN = VCCQ or 0V; all device balls must be static (unswitched) in order to achieve standby current.
7. DPD is maintained until RCR is reconfigured.
8. Burst mode operation is initialized through the bus configuration register (BCR[15]).



Part-Numbering Information

Micron CellularRAM devices are available in several different configurations and densities (see Figure 3).

Figure 3: Part Number Chart



Valid Part Number combinations

After building the part number from the part numbering chart above, please go to the Micron Part Marking Decoder Web site at www.micron.com/partsearch to verify that the part number is offered and valid. If the device required is not on this list, please contact the factory.

Device Marking

Due to the size of the package, the Micron standard part number is not printed on the top of the device. Instead, an abbreviated device mark comprised of a five-digit alphanumeric code is used. The abbreviated device marks are cross-referenced to the Micron part numbers at www.micron.com/partsearch. To view the location of the abbreviated mark on the device, please refer to customer service note, CSN-11, Product Mark/Label," at www.micron.com/csn.



Functional Description

In general, the MT45W4MW16BFB device and the MT45W2MW16BFB device are high-density alternatives to SRAM and Pseudo SRAM products, popular in low-power, portable applications.

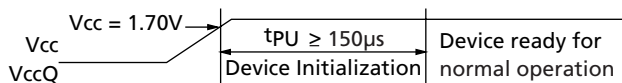
The MT45W4MW16BFB device contains 67,108,864 bits organized as 4,194,304 addresses by 16 bits. The MT45W2MW16BFB contains 33,554,432 bits organized as 2,097,152 addresses by 16 bits. Both devices implement the same high-speed bus interface found on burst mode Flash products.

The CellularRAM bus interface supports both asynchronous and burst mode transfers. Page mode accesses are also included as a bandwidth-enhancing extension to the asynchronous read protocol.

Power-Up Initialization

CellularRAM products include an on-chip voltage sensor used to launch the power-up initialization process. Initialization will configure the BCR and the RCR with their default settings (see Table 4 on page 17 and Table 7 on page 21). VCC and VCCQ must be applied simultaneously. When they reach a stable level at or above 1.70V, the device will require 150 μ s to complete its self-initialization process. During the initialization period, CE# should remain HIGH. When initialization is complete, the device is ready for normal operation.

Figure 4: Power-Up Initialization Timing



Bus Operating Modes

The MT45W4MW16BFB and MT45W2MW16BFB CellularRAM products incorporate a burst mode interface found on Flash products targeting low-power, wireless applications. This bus interface supports asynchronous, page mode, and burst mode read and write transfers. The specific interface supported is defined by the value loaded into the BCR. Page mode is controlled by the refresh configuration register (RCR[7]).

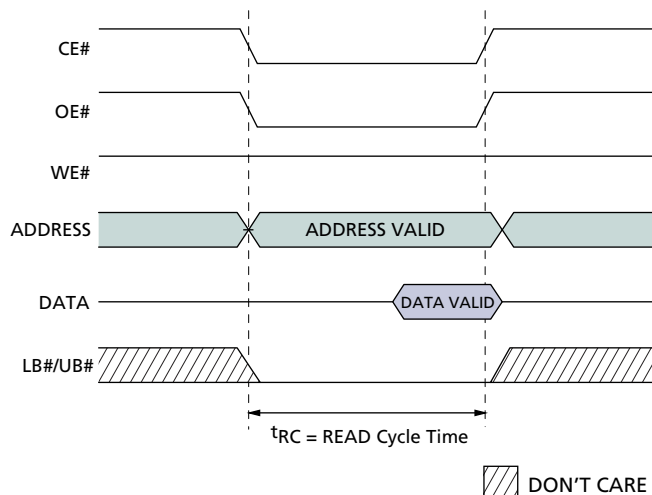
Asynchronous Mode

CellularRAM products power up in the asynchronous operating mode. This mode uses the industry-standard SRAM control bus (CE#, OE#, WE#, LB#/UB#). READ operations (Figure 5) are initiated by bringing CE#, OE#, and LB#/UB# LOW while keeping

WE# HIGH. Valid data will be driven out of the I/Os after the specified access time has elapsed. WRITE operations (Figure 6) occur when CE#, WE#, and LB#/UB# are driven LOW. During asynchronous WRITE operations, the OE# level is a "Don't Care," and WE# will override OE#. The data to be written is latched on the rising edge of CE#, WE#, or LB#/UB# (whichever occurs first). Asynchronous operations (page mode disabled) can either use the ADV input to latch the address, or ADV can be driven LOW during the entire READ/WRITE operation.

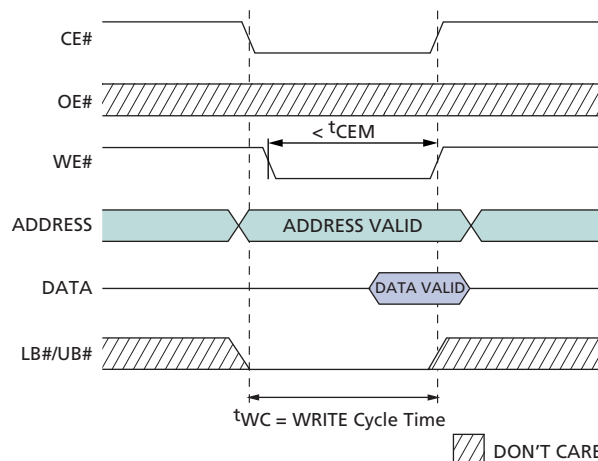
During asynchronous operation, the CLK input must be static (HIGH or LOW—no transitions). WAIT will be driven while the device is enabled and its state should be ignored. WE# LOW time must be limited to t_{CEM} .

Figure 5: READ Operation (ADV = LOW)



NOTE: ADV must remain LOW for page mode operation.

Figure 6: WRITE Operation (ADV = LOW)





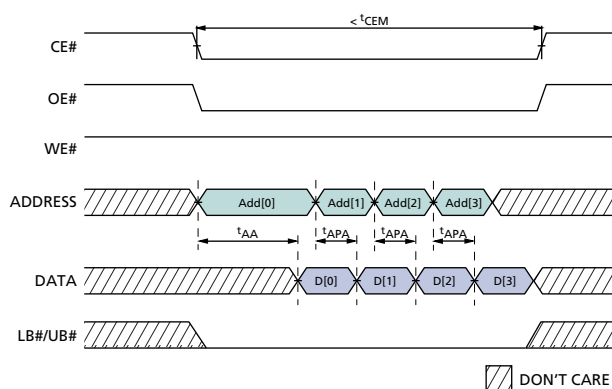
Page Mode READ Operation

Page mode is a performance-enhancing extension to the legacy asynchronous READ operation. In page-mode-capable products, an initial asynchronous read access is performed, then adjacent addresses can be read quickly by simply changing the low-order address. Addresses A[3:0] are used to determine the members of the 16-address CellularRAM page. Any change in addresses A[4] or higher will initiate a new t_{AA} access time. Figure 7 shows the timing for a page mode access. Page mode takes advantage of the fact that adjacent addresses can be read in a shorter period of time than random addresses. WRITE operations do not include comparable page mode functionality.

During asynchronous page mode operation, the CLK input must be static (HIGH or LOW—no transitions). CE# must be driven HIGH upon completion of a page mode access. WAIT will be driven while the device is enabled and its state should be ignored. Page mode is enabled by setting RCR[7] to HIGH. WRITE operations do not include comparable page mode functionality. ADV must be driven LOW during all page mode read accesses.

The CE# LOW time is limited by refresh considerations. CE# must not stay LOW longer than t_{CEM} .

**Figure 7: Page Mode READ Operation
(ADV = LOW)**



Burst Mode Operation

Burst mode operations enable high-speed synchronous READ and WRITE operations. Burst operations consist of a multi-clock sequence that must be performed in an ordered fashion. After CE# goes LOW, the address to access is latched on the next rising edge of CLK that ADV# is LOW. During this first clock rising edge, WE# indicates whether the operation is going to be a READ (WE# = HIGH, Figure 8 on page 11) or WRITE (WE# = LOW, Figure 9 on page 11).

The size of a burst can be specified in the BCR as either fixed-length or continuous. Fixed-length bursts consist of four, eight, or sixteen words. Continuous bursts have the ability to start at a specified address and burst through the entire memory. The latency count stored in the BCR defines the number of clock cycles that elapse before the initial data value is transferred between the processor and CellularRAM device.

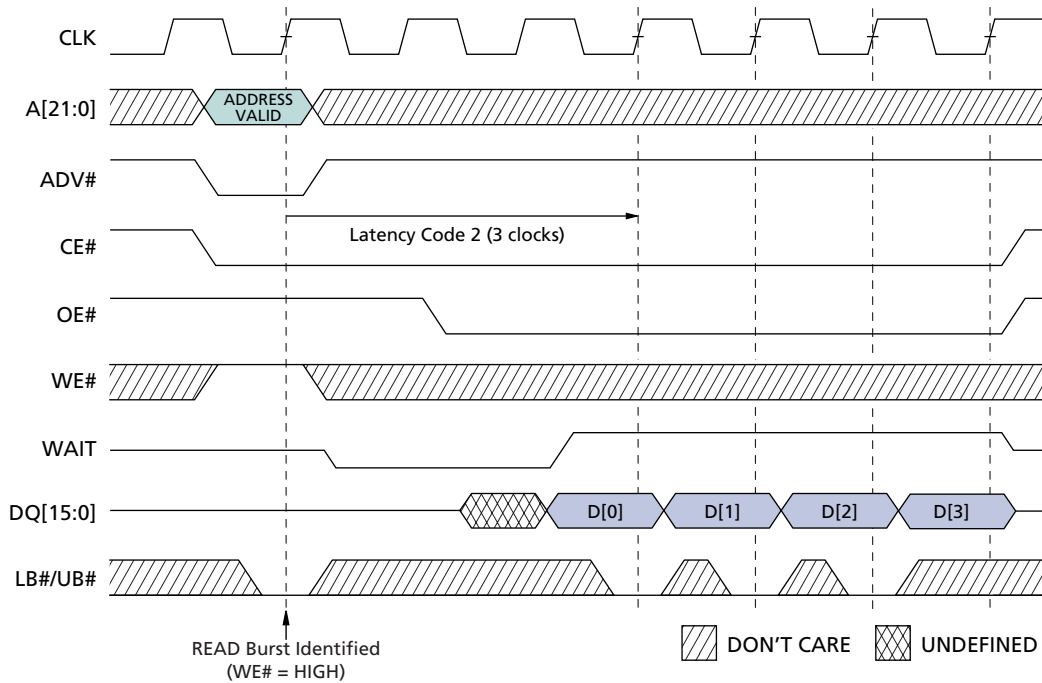
The WAIT output will be asserted as soon as a burst is initiated, and will be de-asserted to indicate when data is to be transferred into (or out of) the memory. WAIT will again be asserted if the burst crosses the boundary between 128-word rows. Once the CellularRAM device has restored the previous row's data and accessed the next row, WAIT will be de-asserted and the burst can continue (see Figure 31 on page 38).

The processor can access other devices without incurring the timing penalty of the initial latency for a new burst by suspending burst mode. Bursts are suspended by stopping CLK. CLK can be stopped HIGH or LOW. If another device will use the data bus while the burst is suspended, OE# should be taken HIGH to disable the CellularRAM outputs; otherwise, OE# can remain LOW. Note that the WAIT output will continue to be active, and as a result no other devices should directly share the WAIT connection to the controller. To continue the burst sequence, OE# is taken LOW, then CLK is restarted after valid data is available on the bus.

The CE# LOW time is limited by refresh considerations. CE# must not stay LOW longer than t_{CEM} unless row boundaries are crossed at least every t_{CEM} . If a burst suspension will cause CE# to remain LOW for longer than t_{CEM} , CE# should be taken HIGH and the burst restarted with a new CE# LOW/ADV# LOW cycle.



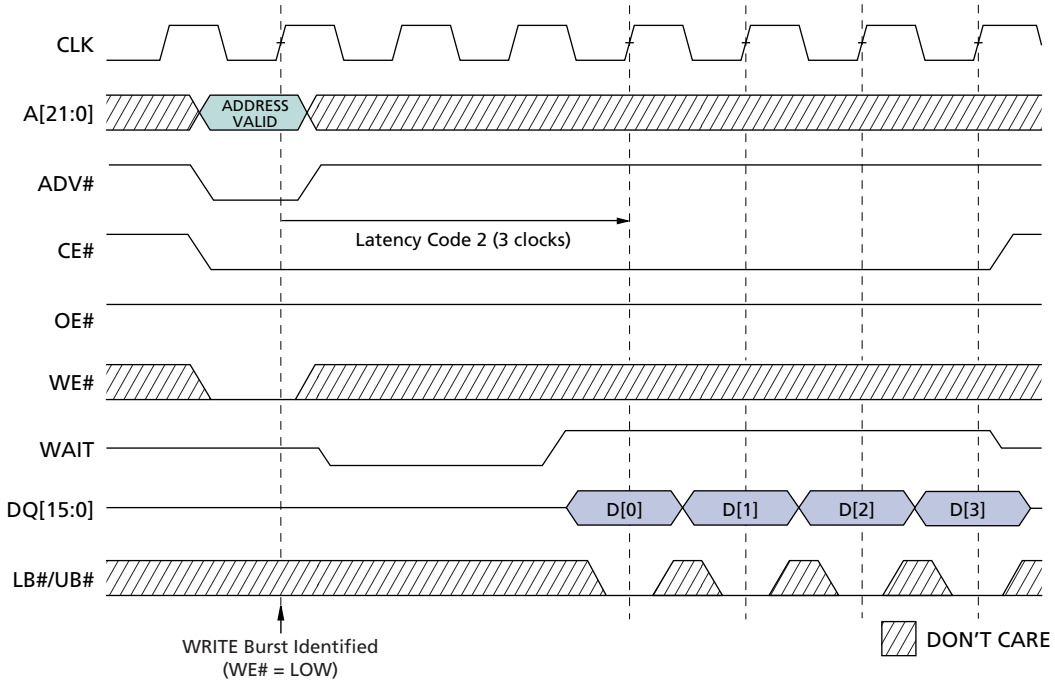
Figure 8: Burst Mode READ (4-word burst)¹



NOTE:

1. Non-default BCR settings: Latency code two (three clocks); WAIT active LOW; WAIT asserted during delay.

Figure 9: Burst Mode WRITE (4-word burst)¹



NOTE:

1. Non-default BCR settings: Latency code two (three clocks); WAIT active LOW; WAIT asserted during delay.



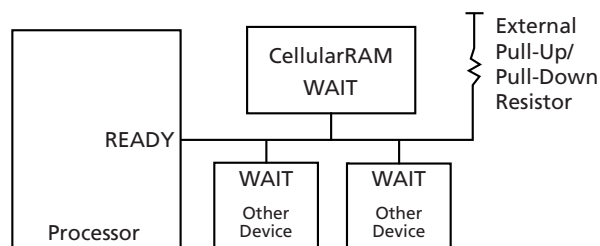
Mixed-Mode Operation

The device can support a combination of synchronous READ and asynchronous WRITE operations when the BCR is configured for synchronous operation. The asynchronous WRITE operation requires that the clock (CLK) remain static (HIGH or LOW) during the entire sequence. The ADV# signal can be used to latch the target address, or it can remain LOW during the entire WRITE operation. CE# must return HIGH when transitioning between mixed-mode operations. Note that the t_{CKA} period is the same as a READ or WRITE cycle. This time is required to ensure adequate refresh. Mixed-mode operation facilitates a seamless interface to legacy burst mode Flash memory controllers. See Figure 39 on page 46 for the “Asynchronous WRITE Followed by Burst READ” timing diagram.

WAIT Operation

The WAIT output on a CellularRAM device is typically connected to a shared, system-level WAIT signal (see Figure 10 below). The shared WAIT signal is used by the processor to coordinate transactions with multiple memories on the synchronous bus.

Figure 10: Wired or WAIT Configuration



Once a READ or WRITE operation has been initiated, WAIT goes active to indicate that the CellularRAM device requires additional time before data can be transferred. For READ operations, WAIT will remain active until valid data is output from the device. For

WRITE operations, WAIT will indicate to the memory controller when data will be accepted into the CellularRAM device. When WAIT transitions to an inactive state, the data burst will progress on successive clock edges.

CE# must remain asserted during WAIT cycles (WAIT asserted and WAIT configuration BCR[8] = 1). Bringing CE# HIGH during WAIT cycles may cause data corruption. (Note that for BCR[8] = 0, the actual WAIT cycles end one cycle after WAIT de-asserts, and for row boundary crossings, start one cycle after the WAIT signal asserts.)

The WAIT output also performs an arbitration role when a READ or WRITE operation is launched while an on-chip refresh is in progress. If a collision occurs, the WAIT pin is asserted for additional clock cycles until the refresh has completed (see Figures 11 and 12 on page 13). When the refresh operation has completed, the READ or WRITE operation will continue normally.

WAIT is also asserted when a continuous READ or WRITE burst crosses a row boundary. The WAIT assertion allows time for the new row to be accessed, and permits any pending refresh operations to be performed.

LB#/UB# Operation

The LB# enable and UB# enable signals support byte-wide data transfers. During READ operations, the enabled byte(s) are driven onto the DQs. The DQs associated with a disabled byte are put into a High-Z state during a READ operation. During WRITE operations, any disabled bytes will not be transferred to the RAM array and the internal value will remain unchanged. During an asynchronous WRITE cycle, the data to be written is latched on the rising edge of CE#, WE#, LB#, or UB#, whichever occurs first.

When both the LB# and UB# are disabled (HIGH) during an operation, the device will disable the data bus from receiving or transmitting data. Although the device will seem to be deselected, it remains in an active mode as long as CE# remains LOW.



Low-Power Operation

Standby Mode Operation

During standby, the device current consumption is reduced to the level necessary to perform the DRAM refresh operation. Standby operation occurs when CE# is HIGH.

The device will enter a reduced power state upon completion of a READ or WRITE operation, or when the address and control inputs remain static for an extended period of time. This mode will continue until a change occurs to the address or control inputs.

Temperature Compensated Refresh

Temperature compensated refresh (TCR) is used to adjust the refresh rate depending on the device operating temperature. DRAM technology requires increasingly frequent refresh operations to maintain data integrity as temperatures increase. More frequent refresh is required due to increased leakage of the DRAM capacitive storage elements as temperatures rise. A decreased refresh rate at lower temperatures will facilitate a savings in standby current.

TCR allows for adequate refresh at four different temperature thresholds (+15°C, +45°C, +70°C, and +85°C). The setting selected must be for a temperature higher than the case temperature of the CellularRAM device. For example, if the case temperature is +50°C, the system can minimize self refresh current consumption by selecting the +70°C setting. The +15°C and +45°C settings would result in inadequate refreshing and cause data corruption.

Partial Array Refresh

Partial array refresh (PAR) restricts refresh operation to a portion of the total memory array. This feature enables the device to reduce standby current by refreshing only that part of the memory array required by the host system. The refresh options are full array, one-half array, one-quarter array, one-eighth array, or none of the array. The mapping of these partitions can start at either the beginning or the end of the address map (see Tables 8 and 9 on page 22). READ and WRITE operations to address ranges receiving refresh will not be affected. Data stored in addresses not receiving refresh will become corrupted. When re-enabling additional portions of the array, the new portions are available immediately upon writing to the RCR.

Deep Power-Down Operation

Deep power-down (DPD) operation disables all refresh-related activity. This mode is used if the system does not require the storage provided by the CellularRAM device. Any stored data will become corrupted when DPD is enabled. When refresh activity has been re-enabled by rewriting the RCR, the CellularRAM device will require 150 μ s to perform an initialization procedure before normal operations can resume. During this 150 μ s period, the current consumption will be higher than the specified standby levels, but considerably lower than the active current specification.

DPD cannot be enabled or disabled by writing to the RCR using the software access sequence; the RCR should be accessed using CRE instead.

Configuration Registers

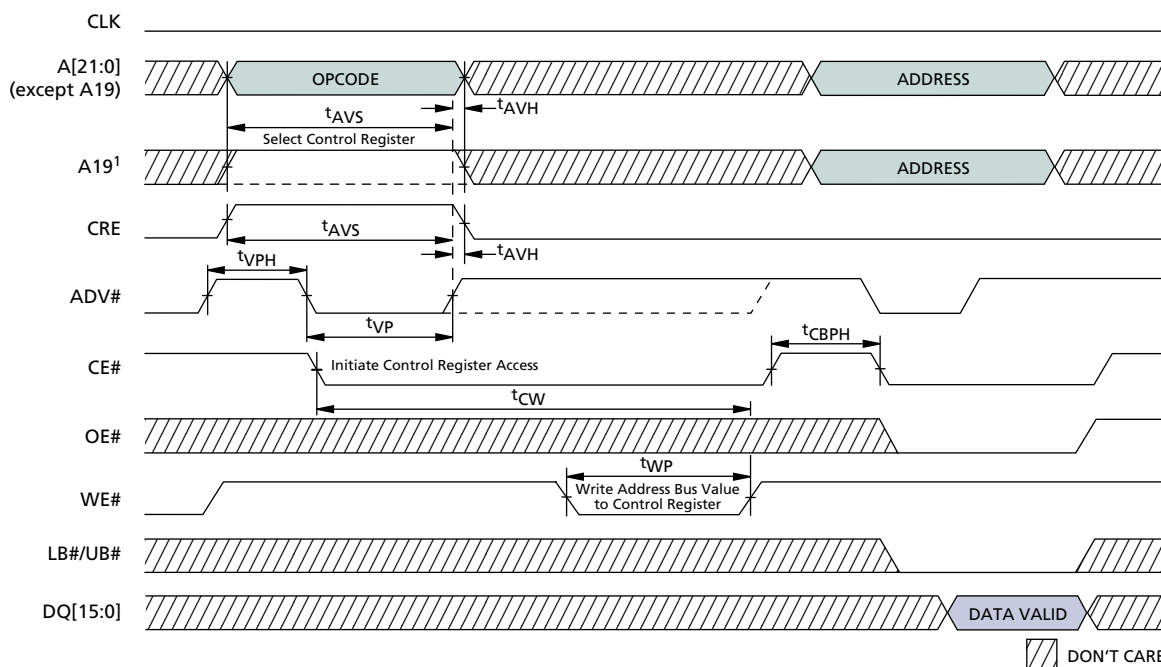
Two user-accessible configuration registers define the device operation. The bus configuration register (BCR) defines how the CellularRAM interacts with the system memory bus and is nearly identical to its counterpart on burst mode Flash devices. The refresh configuration register (RCR) is used to control how refresh is performed on the DRAM array. These registers are automatically loaded with default settings during power-up, and can be updated any time the devices are operating in a standby state.

Access Using CRE

The configuration registers are loaded using either a synchronous or an asynchronous WRITE operation when the configuration register enable (CRE) input is HIGH (see Figures 13 and 14 on page 15). When CRE is LOW, a READ or WRITE operation will access the memory array. The register values are placed on address pins A[21:0]. In an asynchronous WRITE, the values are latched into the configuration register on the rising edge of ADV#, CE#, or WE#, whichever occurs first; LB# and UB# are "Don't Care." Access using CRE is WRITE only. The BCR is accessed when A[19] is HIGH; the RCR is accessed when A[19] is LOW.

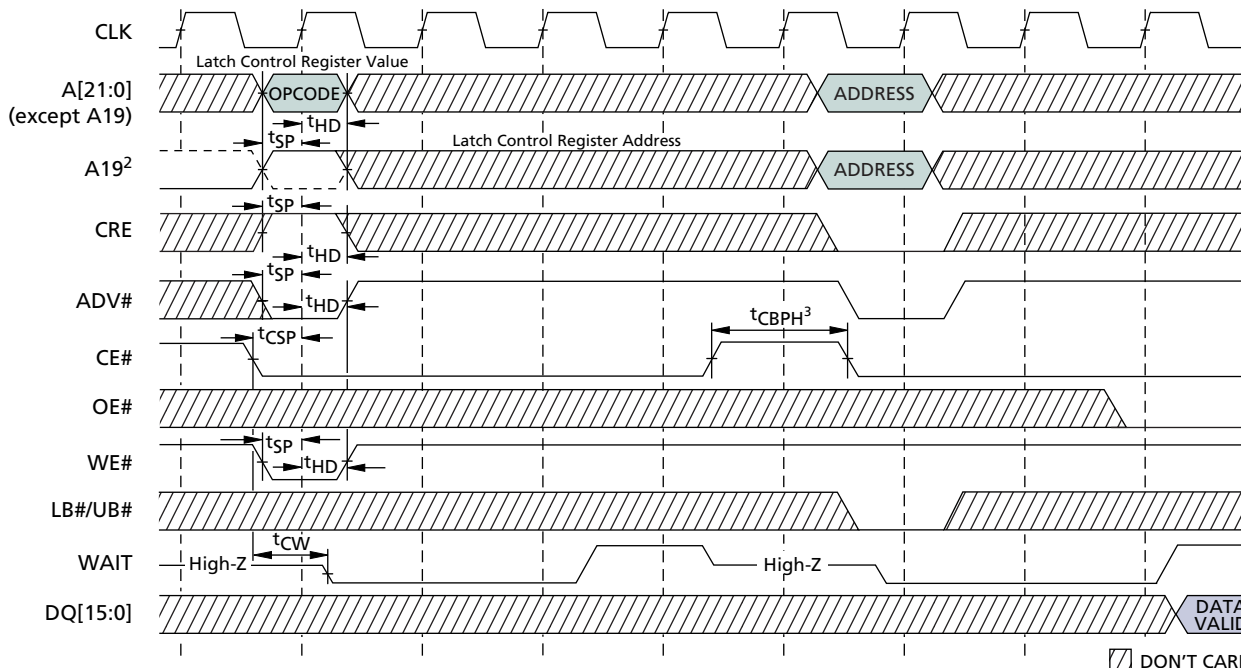


Figure 13: Configuration Register WRITE in Asynchronous Mode Followed by READ ARRAY Operation



NOTE: 1. A[19] = LOW to load RCR; A[19] = HIGH to load BCR.

Figure 14: Configuration Register WRITE in Synchronous Mode Followed by READ ARRAY Operation¹



NOTE: 1. Non-default BCR settings: Latency code two (three clocks); WAIT active LOW; WAIT asserted during delay.
2. A[19] = LOW to load RCR; A[19] = HIGH to load BCR.
3. CE# must remain LOW to complete a burst-of-one WRITE. WAIT must be monitored—additional WAIT cycles caused by refresh collisions require a corresponding number of additional CE# LOW cycles.



Software Access

Software access of the configuration registers uses a sequence of asynchronous READ and asynchronous WRITE operations. The contents of the configuration registers can be read or modified using the software sequence.

The configuration registers are loaded using a four-step sequence consisting of two asynchronous READ operations followed by two asynchronous WRITE operations (see Figure 15). The read sequence is virtually identical except that an asynchronous READ is performed during the fourth operation (see Figure 16). The address used during all READ and WRITE operations is the highest address of the CellularRAM device being accessed (3FFFFFFh for 64Mb, and 1FFFFFFh for 32Mb); the contents of this address are not changed by using this sequence.

The data value presented during the third operation (WRITE) in the sequence defines whether the BCR or the RCR is to be accessed. If the data is 0000h, the sequence will access the RCR; if the data is 0001h, the sequence will access the BCR. During the fourth operation, the data bus is used to transfer data in to or out of the configuration registers.

The use of the software sequence does not affect the ability to perform the standard (CRE-controlled) method of loading the configuration registers. However, the software nature of this access mechanism eliminates the need for the control register enable (CRE) pin. If the software mechanism is used, the CRE pin can simply be tied to VSS. The port line often used for CRE control purposes is no longer required.

Software access of the RCR should not be used to enter or exit DPD.

Figure 15: Load Configuration Register

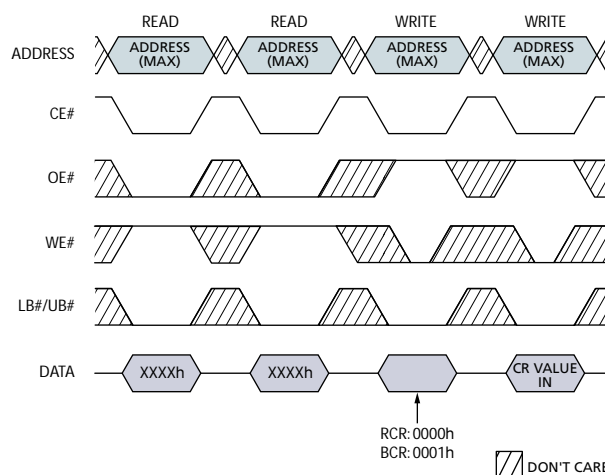
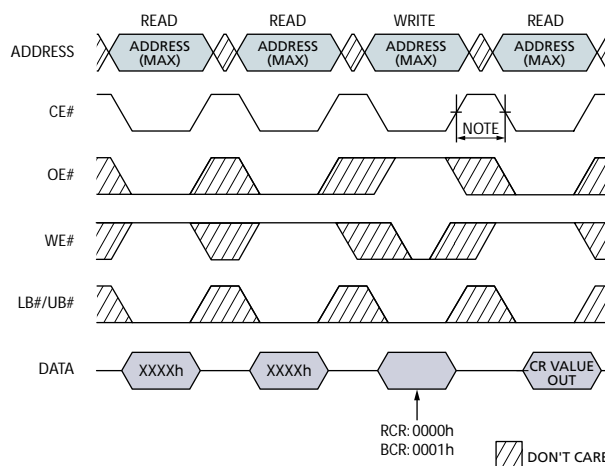


Figure 16: Read Configuration Register



NOTE: CE# must be HIGH for 150ns before performing the cycle that reads a configuration register.

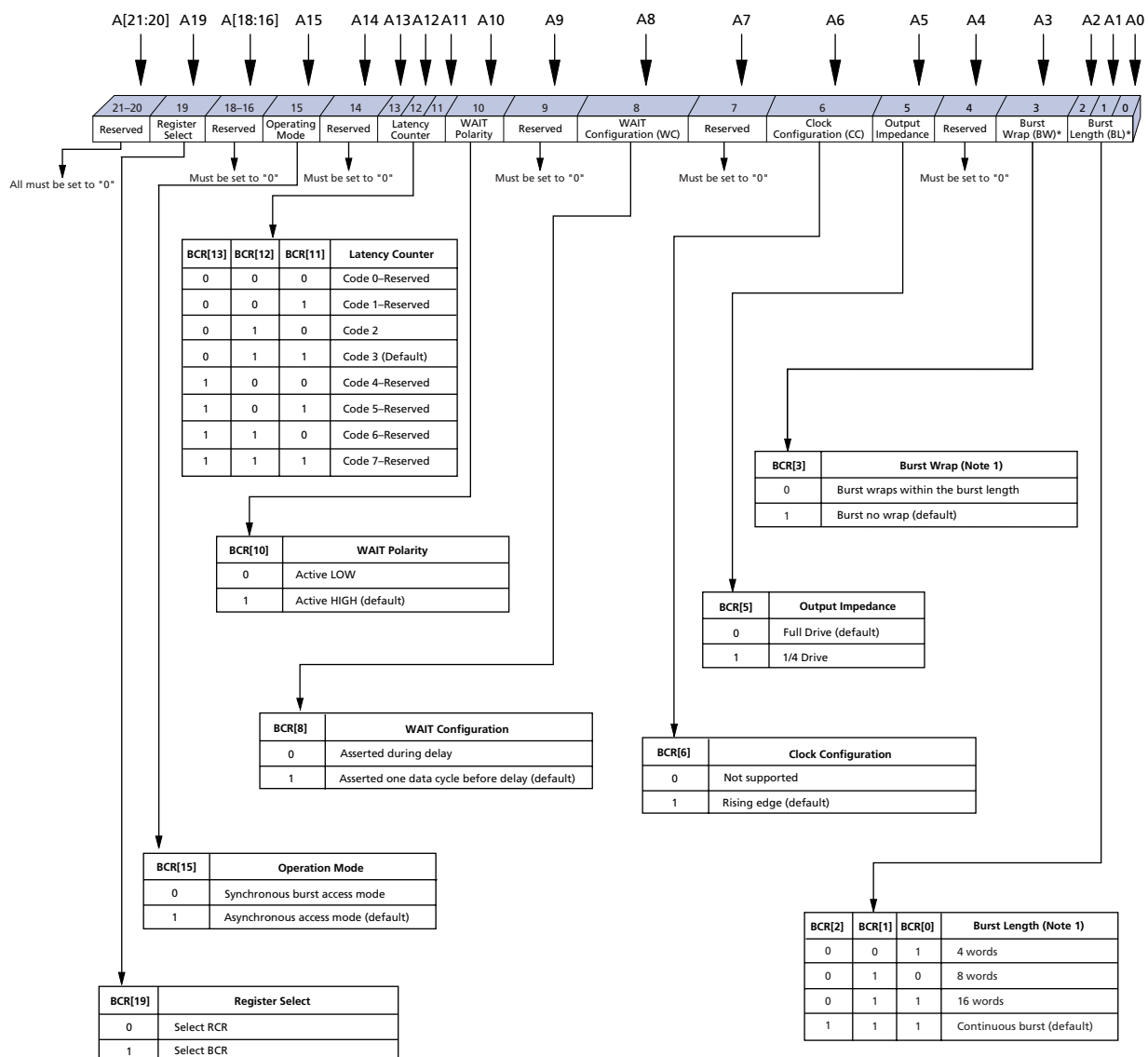


Bus Configuration Register

The BCR defines how the CellularRAM device interacts with the system memory bus. Page mode operation is enabled by a bit contained in the RCR. Table 4 on page 17 describes the control bits in the BCR. At power-up, the BCR is set to 9D4Fh.

The BCR is accessed using CRE and A[19] HIGH, or through the configuration register software sequence with DQ = 0001h on the third cycle.

Table 4: Bus Configuration Register Definition



NOTE:

1. All burst WRITES are continuous.


Table 5: Sequence and Burst Length

BURST WRAP		STARTING ADDRESS	4-WORD BURST LENGTH	8-WORD BURST LENGTH	16-WORD BURST LENGTH	CONTINUOUS BURST
BCR[3]	WRAP	(DECIMAL)	LINEAR	LINEAR	LINEAR	LINEAR
0	Yes	0	0-1-2-3	0-1-2-3-4-5-6-7	0-1-2-3-4-5-6-7-8-9-10-11-12-13-14-15	0-1-2-3-4-5-6-...
		1	1-2-3-0	1-2-3-4-5-6-7-0	1-2-3-4-5-6-7-8-9-10-11-12-13-14-15-0	1-2-3-4-5-6-7-...
		2	2-3-0-1	2-3-4-5-6-7-0-1	2-3-4-5-6-7-8-9-10-11-12-13-14-15-0-1	2-3-4-5-6-7-8-...
		3	3-0-1-2	3-4-5-6-7-0-1-2	3-4-5-6-7-8-9-10-11-12-13-14-15-0-1-2	3-4-5-6-7-8-9-...
		4		4-5-6-7-0-1-2-3	4-5-6-7-8-9-10-11-12-13-14-15-0-1-2-3	4-5-6-7-8-9-10-...
		5		5-6-7-0-1-2-3-4	5-6-7-8-9-10-11-12-13-14-15-0-1-2-3-4	5-6-7-8-9-10-11-...
		6		6-7-0-1-2-3-4-5	6-7-8-9-10-11-12-13-14-15-0-1-2-3-4-5	6-7-8-9-10-11-12-...
		7		7-0-1-2-3-4-5-6	7-8-9-10-11-12-13-14-15-0-1-2-3-4-5-6	7-8-9-10-11-12-13-...
	
		14			14-15-0-1-2-3-4-5-6-7-8-9-10-11-12-13	14-15-16-17-18-19-20-..
15			15-0-1-2-3-4-5-6-7-8-9-10-11-12-13-14	15-16-17-18-19-20-21..		
1	No	0	0-1-2-3	0-1-2-3-4-5-6-7	0-1-2-3-4-5-6-7-8-9-10-11-12-13-14-15	0-1-2-3-4-5-6-...
		1	1-2-3-4	1-2-3-4-5-6-7-8	1-2-3-4-5-6-7-8-9-10-11-12-13-14-15-16	1-2-3-4-5-6-7-...
		2	2-3-4-5	2-3-4-5-6-7-8-9	2-3-4-5-6-7-8-9-10-11-12-13-14-15-16-17	2-3-4-5-6-7-8-...
		3	3-4-5-6	3-4-5-6-7-8-9-10	3-4-5-6-7-8-9-10-11-12-13-14-15-16-17-18	3-4-5-6-7-8-9-...
		4		4-5-6-7-8-9-10-11	4-5-6-7-8-9-10-11-12-13-14-15-16-17-18-19	4-5-6-7-8-9-10-...
		5		5-6-7-8-9-10-11-12	5-6-7-8-9-10-11-12-13-...-15-16-17-18-19-20	5-6-7-8-9-10-11-...
		6		6-7-8-9-10-11-12-13	6-7-8-9-10-11-12-13-14-...-16-17-18-19-20-21	6-7-8-9-10-11-12-...
		7		7-8-9-10-11-12-13-14	7-8-9-10-11-12-13-14-...-17-18-19-20-21-22	7-8-9-10-11-12-13-...
	
		14			14-15-16-17-18-19-...-23-24-25-26-27-28-29	14-15-16-17-18-19-20-...
15			15-16-17-18-19-20-...-24-25-26-27-28-29-30	15-16-17-18-19-20-21-...		

Burst Length (BCR[2:0])

Default = Continuous Burst

Burst lengths define the number of words the device outputs during a burst READ operation. The device supports a burst length of 4, 8, or 16 words. The device can also be set in continuous burst mode where data is output sequentially without regard to address boundaries; the internal address wraps to 000000h if the device is read past the last address. WRITE bursts are always performed using continuous burst mode.

Burst Wrap (BCR[3])

Default = Burst No Wrap

The burst wrap option determines if a 4-, 8-, or 16-word burst READ wraps within the burst length, or steps through sequential addresses. If the wrap option is not enabled, the device outputs data from sequential addresses without regard to burst boundaries; the internal address wraps to 000000h if the device is read past the last address.

Output Impedance (BCR[5])

Default = Outputs Use Full Drive Strength

The output driver strength can be altered to adjust for different data bus loading scenarios. The reduced-strength option will be more than adequate in stacked chip (Flash + CellularRAM) environments when there is a dedicated memory bus. The reduced-drive-strength option is included to minimize noise generated on the data bus during READ operations. Normal output impedance should be selected when using a discrete CellularRAM device in a more heavily loaded data bus environment. Partial drive is approximately one-quarter full drive strength. Outputs are configured at full drive strength during testing.



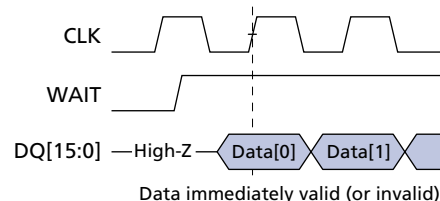
WAIT Configuration (BCR[8])
Default = WAIT Transitions One Clock
Before Data Valid/Invalid

The WAIT configuration bit is used to determine when WAIT transitions between the asserted and the de-asserted state with respect to valid data presented on the data bus. The memory controller will use the WAIT signal to coordinate data transfer during synchronous READ and WRITE operations. When BCR[8] = 0, data will be valid or invalid on the clock edge immediately after WAIT transitions to the de-asserted or asserted state, respectively (Figures 17 and 19). When A8 = 1, the WAIT signal transitions one clock period prior to the data bus going valid or invalid (Figures 18 and 16).

WAIT Polarity (BCR[10])
Default = WAIT Active HIGH

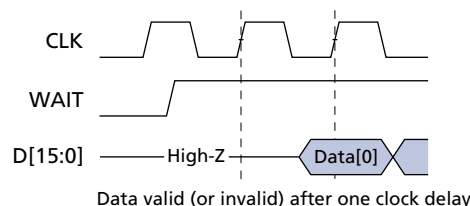
The WAIT polarity bit indicates whether an asserted WAIT output should be HIGH or LOW. This bit will determine whether the WAIT signal requires a pull-up or pull-down resistor to maintain the de-asserted state.

Figure 17: WAIT Configuration (BCR[8] = 0)



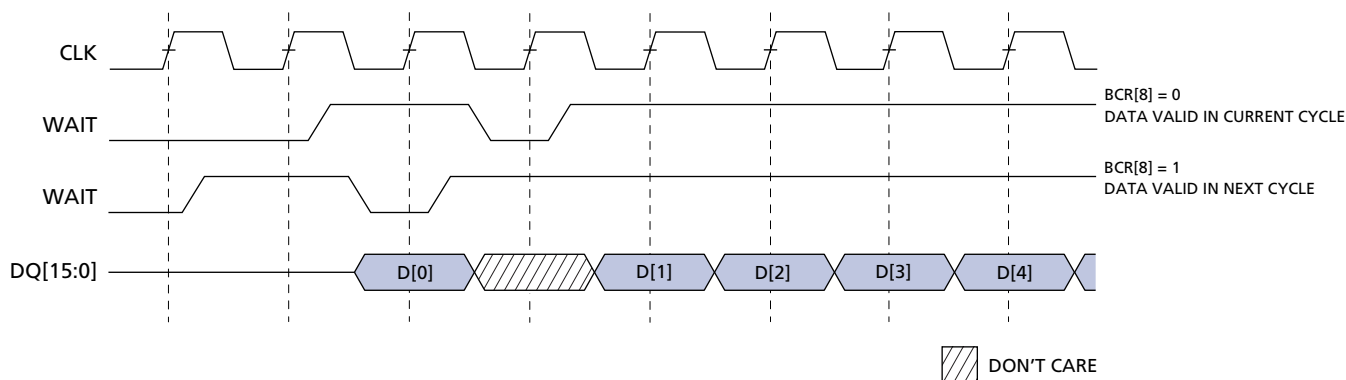
NOTE:
 1. Note: Data valid/invalid immediately after WAIT transitions (BCR[8] = 0). See Figure 19.

Figure 18: WAIT Configuration (BCR[8] = 1)



NOTE:
 1. Note: Valid/invalid data delayed for one clock after WAIT transitions (BCR[8] = 1). See Figure 19.

Figure 19: WAIT Configuration During Burst Operation¹



NOTE:
 1. Non-default BCR setting: WAIT active LOW.



Latency Counter (BCR[13:11])
Default = Three-Clock Latency

The latency counter bits determine how many clocks occur between the beginning of a READ or WRITE operation and the first data value transferred. Only latency code two (three clocks) or latency code three (four clocks) is allowed (see Table 6 and Figure 20 below).

Operating Mode (BCR[15])
Default = Asynchronous Operation

The operating mode bit selects either synchronous burst operation or the default asynchronous mode of operation.

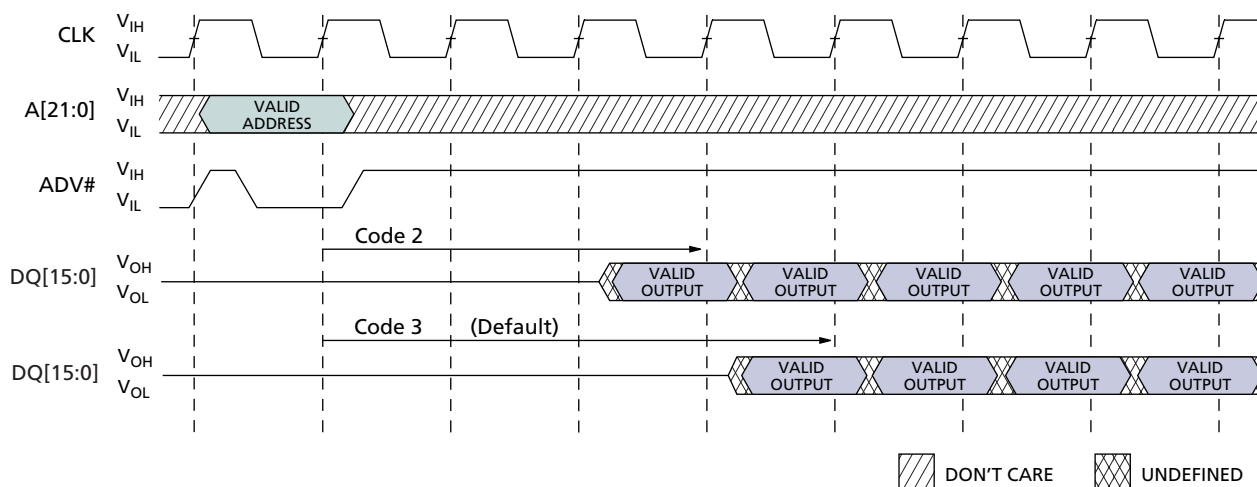
Table 6: Latency Configuration

LATENCY CONFIGURATION CODE	MAX INPUT CLK FREQUENCY (MHz)		
	-701	-708	-706, -856
2 (3 clocks)	66 (15.2ns)	53 (18.75ns)	44 ¹ (22.7ns)
3 (4 clocks) – default	104 (9.62ns)	80 (12.5ns)	66 (15.2ns)

NOTE:

1. Clock rates below 50 MHz are allowed as long as ^tCSP specifications are met.

Figure 20: Latency Counter





Refresh Configuration Register

The refresh configuration register (RCR) defines how the CellularRAM device performs its transparent self refresh. Altering the refresh parameters can dramatically reduce current consumption during standby mode. Page mode control is also embedded into the RCR. Table 7 below describes the control bits used in the RCR. At power-up, the RCR is set to 0070h.

The RCR is accessed using CRE and A[19] LOW; or through the configuration register software access sequence with DQ = 0000h on the third cycle (see Configuration Registers on page 14.)

Partial Array Refresh (RCR[2:0])

Default = Full Array Refresh

The PAR bits restrict refresh operation to a portion of the total memory array. This feature allows the device to reduce standby current by refreshing only that part of the memory array required by the host system. The refresh options are full array, one-half array, one-quarter array, one-eighth array, or none of the array. The mapping of these partitions can start at either the beginning or the end of the address map (see Tables 8 and 9 on page 22).

Table 7: Refresh Configuration Register Mapping

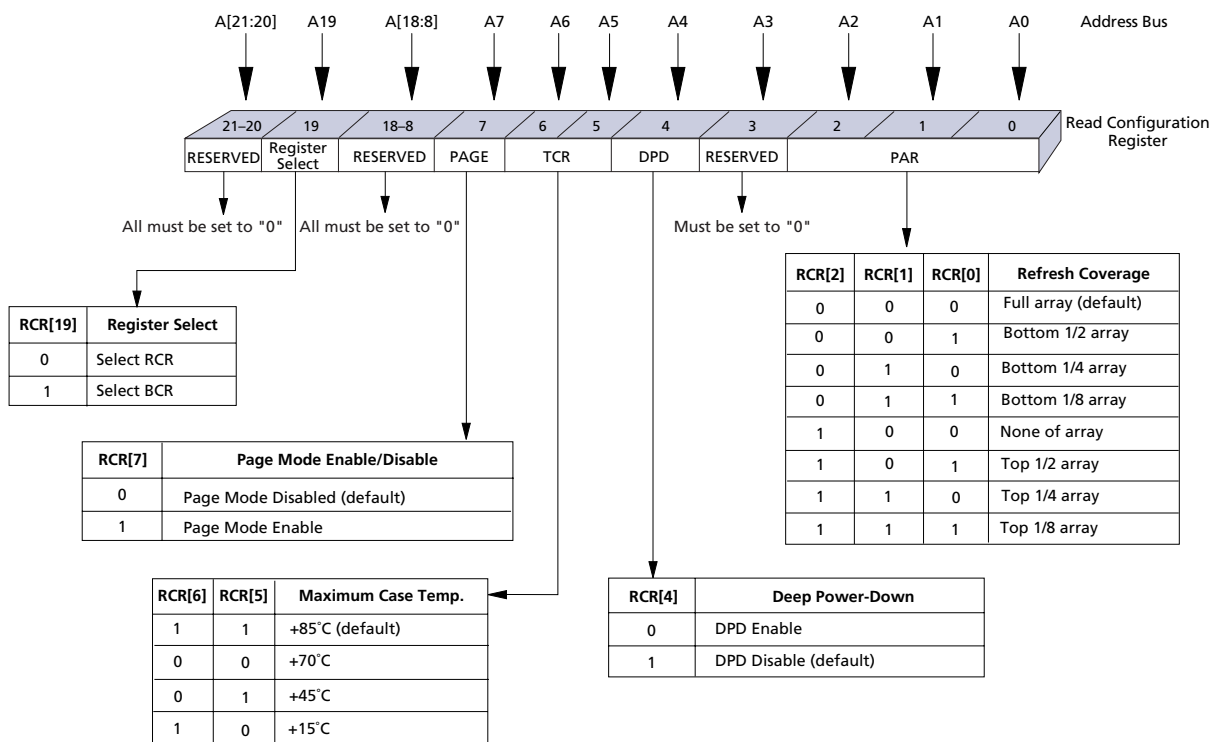



Table 8: 64Mb Address Patterns for PAR (RCR[4] = 1)

RCR[2]	RCR[1]	RCR[0]	ACTIVE SECTION	ADDRESS SPACE	SIZE	DENSITY
0	0	0	Full die	000000h–3FFFFFFh	4 Meg x 16	64Mb
0	0	1	One-half of die	000000h–1FFFFFFh	2 Meg x 16	32Mb
0	1	0	One-quarter of die	000000h–0FFFFFFh	1 Meg x 16	16Mb
0	1	1	One-eighth of die	000000h–07FFFFh	512K x 16	8Mb
1	0	0	None of die	0	0 Meg x 16	0Mb
1	0	1	One-half of die	200000h–3FFFFFFh	2 Meg x 16	32Mb
1	1	0	One-quarter of die	300000h–3FFFFFFh	1 Meg x 16	16Mb
1	1	1	One-eighth of die	380000h–3FFFFFFh	521K x 16	8Mb

Table 9: 32Mb Address Patterns for PAR (RCR[4] = 1)

RCR[2]	RCR[1]	RCR[0]	ACTIVE SECTION	ADDRESS SPACE	SIZE	DENSITY
0	0	0	Full die	000000h–1FFFFFFh	2 Meg x 16	32Mb
0	0	1	One-half of die	000000h–0FFFFFFh	1 Meg x 16	16Mb
0	1	0	One-quarter of die	000000h–07FFFFh	512K x 16	8Mb
0	1	1	One-eighth of die	000000h–03FFFFh	256K x 16	4Mb
1	0	0	None of die	0	0 Meg x 16	0Mb
1	0	1	One-half of die	100000h–1FFFFFFh	1 Meg x 16	16Mb
1	1	0	One-quarter of die	180000h–1FFFFFFh	512K x 16	8Mb
1	1	1	One-eighth of die	1C0000h–1FFFFFFh	256K x 16	4Mb

Deep Power-Down (RCR[4])

Default = DPD Disabled

The deep power-down bit enables and disables all refresh-related activity. This mode is used if the system does not require the storage provided by the CellularRAM device. Any stored data will become corrupted when DPD is enabled. When refresh activity has been re-enabled, the CellularRAM device will require 150µs to perform an initialization procedure before normal operations can resume.

Deep power-down is enabled when RCR[4] = 0, and remains enabled until RCR[4] is set to “1.” DPD should not be enabled or disabled with the software access sequence; instead, use CRE to access the RCR.

Temperature Compensated Refresh (RCR[6:5])

Default = +85°C Operation

The TCR bits allow for adequate refresh at four different temperature thresholds (+15°C, +45°C, +70°C, and +85°C). The setting selected must be for a temperature higher than the case temperature of the CellularRAM device. If the case temperature is +50°C, the system can minimize self refresh current consumption by selecting the +70°C setting. The +15°C and +45°C settings would result in inadequate refreshing and cause data corruption.

Page Mode Operation (RCR[7])

Default = Disabled

The page mode operation bit determines whether page mode is enabled for asynchronous READ operations. In the power-up default state, page mode is disabled.



Absolute Maximum Ratings*

Voltage to Any Ball Except VCC, VCCQ	
Relative to VSS -0.50V to (4.0V or VCCQ + 0.3V, whichever is less)
Voltage on VCC Supply Relative to VSS. . .	-0.2V to +2.45V
Voltage on VCCQ Supply Relative to VSS . .	-0.2V to +4.0V
Storage Temperature (plastic).	-55°C to +150°C
Operating Temperature (case)	
Wireless.	-25°C to +85°C
Industrial	-40°C to +85°C
Soldering Temperature and Time	
10s (lead only)	+260°C

*Stresses greater than those listed may cause permanent damage to the device. This is a stress rating only, and functional operation of the device at these or any other conditions above those indicated in the operational sections of this specification is not implied. Exposure to absolute maximum rating conditions for extended periods may affect reliability.

Table 10: Electrical Characteristics and Operating Conditions

Wireless Temperature (-25°C < T_C < +85°C); Industrial Temperature (-40°C < T_C < +85°C)

DESCRIPTION	CONDITIONS	SYMBOL	MIN	MAX	UNITS	NOTES	
Supply Voltage		VCC	1.70	1.95	V		
I/O Supply Voltage		VCCQ	W: 1.8V	1.70	2.25	V	
			V: 2.5V	2.30	2.70	V	
			L: 3.0V	2.70	3.30	V	
Input High Voltage		V _{IH}	1.40	VCCQ + 0.2	V	1	
Input Low Voltage		V _{IL}	-0.20	0.4	V	2	
Output High Voltage	I _{OH} = -0.2mA	V _{OH}	0.80 VCCQ		V	3	
Output Low Voltage	I _{OL} = +0.2mA	V _{OL}		0.20 VCCQ	V	3	
Input Leakage Current	V _{IN} = 0 to VCCQ	I _{LI}		1	μA		
Output Leakage Current	OE# = V _{IH} or Chip Disabled	I _{LO}		1	μA		
Operating Current							
Asynchronous Random READ/WRITE	V _{IN} = VCCQ or 0V Chip Enabled, I _{OUT} = 0	Icc1	-70		25	mA	4
			-85		20		
Asynchronous Page READ		Icc1P	-70		15	mA	4
			-85		12		
Initial Access, Burst READ/WRITE		Icc2	104 MHz		35	mA	4
			80 MHz		35		
	66 MHz			30			
Continuous Burst READ/WRITE	Icc3	104 MHz		20	mA	4	
		80 MHz		18			
		66 MHz		15			
Standby Current	V _{IN} = VCCQ or 0V CE# = VCCQ	I _{SB}	64Mb—Std		120	μA	5
			64Mb—Opt. L		100		
			32MB—Std		110		
			32Mb—Opt. L		90		

NOTE:

- Input signals may overshoot to VCCQ + 1.0V for periods less than 2ns during transitions.
- Input signals may undershoot to VSS - 1.0V for periods less than 2ns during transitions
- BCR[5:4] = 00b.
- This parameter is specified with the outputs disabled to avoid external loading effects. The user must add the current required to drive output capacitance expected in the actual system.
- I_{SB} (MAX) values measured with PAR set to FULL ARRAY and TCR set to +85°C. In order to achieve low standby current, all inputs must be driven to either VCCQ or VSS. I_{SB} might be slightly higher for up to 500ms after power-up, or after changes to the PAR array partition.


Table 11: Temperature Compensated Refresh Specifications and Conditions

DESCRIPTION	CONDITIONS	SYMBOL	DENSITY	MAX CASE TEMPERATURES	STANDARD POWER (NO DESIG.)	LOW-POWER OPTION (L)	UNITS
Temperature Compensated Refresh Standby Current	VIN = VccQ or 0V CE# = VccQ	ITCR	64Mb	+85°C	120	100	μA
				+70°C	105	85	μA
				+45°C	85	65	μA
				+15°C	70	50	μA
			32Mb	+85°C	110	90	μA
				+70°C	95	75	μA
				+45°C	80	60	μA
				+15°C	70	50	μA

NOTE:

ITCR (MAX) values measured with PAR set to FULL ARRAY.

Table 12: Partial Array Refresh Specifications and Conditions

DESCRIPTION	CONDITIONS	SYMBOL	DENSITY	ARRAY PARTITION	STANDARD POWER (NO DESIG.)	LOW-POWER OPTION (L)	UNITS
Partial Array Refresh Standby Current	VIN = VccQ or 0V, CE# = VccQ	IPAR	64Mb	Full	120	100	μA
				1/2	115	95	μA
				1/4	110	90	μA
				1/8	105	85	μA
				0	70	50	μA
			32Mb	Full	110	90	μA
				1/2	105	85	μA
				1/4	100	80	μA
				1/8	95	75	μA
				0	70	50	μA

NOTE:

IPAR (MAX) values measured with TCR set to 85°C. IPAR might be slightly higher for up to 500ms after changes to the PAR array partition.

Table 13: Deep Power-Down Specifications

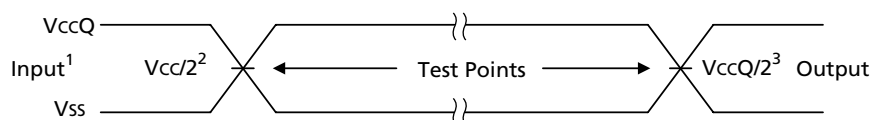
DESCRIPTION	CONDITIONS	SYMBOL	TYP	UNITS
Deep Power-Down	VIN = VccQ or 0V; +25°C	IZZ	10	μA


Table 14: Capacitance

DESCRIPTION	CONDITIONS	SYMBOL	MIN	MAX	UNITS	NOTES
Input Capacitance	$T_C = +25^\circ\text{C}; f = 1 \text{ MHz};$ $V_{IN} = 0\text{V}$	C_{IN}	2.0	6	pF	1
Input/Output Capacitance (DQ)		C_{IO}	3.5	6	pF	1

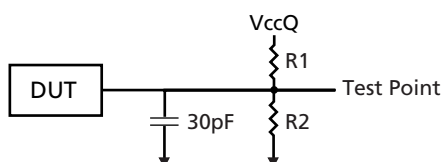
NOTE:

1. These parameters are verified in device characterization and are not 100% tested.

Figure 21: AC Input/Output Reference Waveform


NOTE:

1. AC test inputs are driven at V_{CCQ} for a logic 1 and V_{SS} for a logic 0. Input rise and fall times (10% to 90%) < 1.6ns.
2. Input timing begins at $V_{CC}/2$. Due to the possibility of a difference between V_{CC} and V_{CCQ} , the input test point may not be shown to scale.
3. Output timing ends at $V_{CCQ}/2$.

Figure 22: Output Load Circuit


NOTE:

All tests are performed with the outputs configured for full drive strength ($BCR[5] = 0$).

Table 15: Output Load Circuit

V_{CCQ}	$R1/R2$
1.8V	2.7K Ω
2.5V	3.7K Ω
3.0V	4.5K Ω


Table 16: Asynchronous READ Cycle Timing Requirements¹

PARAMETER	SYMBOL	-70x		-856		UNITS	NOTES
		MIN	MAX	MIN	MAX		
Address Access Time	t _{AA}		70		85	ns	
ADV# Access Time	t _{AADV}		70		85	ns	
Page Access Time	t _{APA}		20		25	ns	
Address Hold from ADV# HIGH	t _{AVH}	5		5		ns	
Address Setup to ADV# HIGH	t _{AVS}	10		10		ns	
LB#/UB# Access Time	t _{BA}		70		85	ns	
LB#/UB# Disable to DQ High-Z Output	t _{BHZ}		8		8	ns	4
LB#/UB# Enable to Low-Z Output	t _{BLZ}	10		10		ns	3
Maximum CE# Pulse Width	t _{CEM}		8		8	μs	2
CE# LOW to WAIT Valid	t _{CEW}	1	7.5	1	7.5	ns	
Chip Select Access Time	t _{CO}		70		85	ns	
CE# HIGH between Subsequent Asynchronous Operations	t _{CPH}	5		5		ns	
CE# LOW to ADV# HIGH	t _{CVS}	10		10		ns	
Chip Disable to DQ and WAIT High-Z Output	t _{HZ}		8		8	ns	4
Chip Enable to Low-Z Output	t _{LZ}	10		10		ns	3
Output Enable to Valid Output	t _{OE}		20		20	ns	
Output Hold from Address Change	t _{OH}	5		5		ns	
Output Disable to DQ High-Z Output	t _{OHZ}		8		8	ns	4
Output Enable to Low-Z Output	t _{OLZ}	5		5		ns	3
Page Cycle Time	t _{PC}	20		25		ns	
READ Cycle Time	t _{RC}	70		85		ns	
ADV# Pulse Width LOW	t _{VP}	10		10		ns	
ADV# Pulse Width HIGH	t _{VPH}	10		10		ns	

NOTE:

1. All tests are performed with the outputs configured for full drive strength (BCR[5] = 0).
2. Page-mode enabled only.
3. High-Z to Low-Z timings are tested with the circuit shown in Figure 22 on page 25. The Low-Z timings measure a 100mV transition away from the High-Z (V_{CCQ/2}) level toward either V_{OH} or V_{OL}.
4. Low-Z to High-Z timings are tested with the circuit shown in Figure 22 on page 25. The High-Z timings measure a 100mV transition from either V_{OH} or V_{OL} toward V_{CCQ/2}.


Table 17: Burst READ Cycle Timing Requirements¹

PARAMETER	SYMBOL	-701		-708		-706, -856		UNITS	NOTES
		MIN	MAX	MIN	MAX	MIN	MAX		
Burst to READ Access Time	t _{ABA}		35		46.5		56	ns	
CLK to Output Delay	t _{ACLK}		7		9		11	ns	
Burst OE# LOW to Output Delay	t _{BOE}		20		20		20	ns	
CE# HIGH between Subsequent Mixed-Mode Operations	t _{CBPH}	5		5		5		ns	2
Maximum CE# Pulse Width	t _{CEM}		8		8		8	μs	2
CE# LOW to WAIT Valid	t _{CEW}	1	7.5	1	7.5	1	7.5	ns	
CLK Period	t _{CLK}	9.62	20	12.5	20	15	20	ns	3
CE# Setup Time to Active CLK Edge	t _{CSP}	4	20	4.5	20	5	20	ns	
Hold Time from Active CLK Edge	t _{HD}	2		2		2		ns	
Chip Disable to DQ and WAIT High-Z Output	t _{HZ}		8		8		8	ns	4
CLK Rise or Fall Time	t _{KHKL}		1.6		1.6		1.6	ns	
CLK to WAIT Valid	t _{KHTL}		7		9		11	ns	
CLK to DQ High-Z Output	t _{KHZ}	3	8	3	8	3	8	ns	4
CLK to Low-Z Output	t _{KLZ}	2	5	2	5	2	5	ns	5
Output HOLD from CLK	t _{KOH}	2		2		2		ns	
CLK HIGH or LOW Time	t _{KP}	3		4		5		ns	
Output Disable to DQ High-Z Output	t _{OHZ}		8		8		8	ns	4
Output Enable to Low-Z Output	t _{OLZ}	5		5		5		ns	5
Setup Time to Active CLK Edge	t _{SP}	3		3		3		ns	

NOTE:

- All tests are performed with the outputs configured for full drive strength (BCR[5] = 0).
- When configured for synchronous mode (BCR[15] = 0), a refresh opportunity must be provided every t_{CEM}. A refresh opportunity is satisfied by either of the following two conditions: a) clocked CE# HIGH, or b) CE# HIGH for greater than 15ns.
- Clock rates below 50 MHz (t_{CLK} > 20ns) are allowed as long as t_{CSP} specifications are met.
- Low-Z to High-Z timings are tested with the circuit shown in Figure 22 on page 25. The High-Z timings measure a 100mV transition from either V_{OH} or V_{OL} toward V_{CCQ/2}.
- High-Z to Low-Z timings are tested with the circuit shown in Figure 22 on page 25. The Low-Z timings measure a 100mV transition away from the High-Z (V_{CCQ/2}) level toward either V_{OH} or V_{OL}.


Table 18: Asynchronous WRITE Cycle Timing Requirements

PARAMETER	SYMBOL	-70x		-856		UNITS	NOTES
		MIN	MAX	MIN	MAX		
Address and ADV# LOW Setup Time	t _{AS}	0		0		ns	
Address Hold from ADV# Going HIGH	t _{AVH}	5		5		ns	
Address Setup to ADV# Going HIGH	t _{AVS}	10		10		ns	
Address Valid to End of Write	t _{AW}	70		85		ns	
LB#/UB# Select to End of Write	t _{BW}	70		85		ns	
CE# LOW to WAIT Valid	t _{CEW}	1	7.5	1	7.5	ns	
Async Address-to-Burst Transition Time	t _{CKA}	70		85		ns	
CE# Low to ADV# HIGH	t _{CVS}	10		10		ns	
Chip Enable to End of Write	t _{CW}	70		85		ns	
Data Hold from Write Time	t _{DH}	0		0		ns	
Data WRITE Setup Time	t _{DW}	23		23		ns	
Chip Disable to WAIT High-Z Output	t _{HZ}		8		8	ns	
Chip Enable to Low-Z Output	t _{LZ}	10		10		ns	1
End WRITE to Low-Z Output	t _{OW}	5		5		ns	1
ADV# Pulse Width	t _{VP}	10		10		ns	
ADV# Pulse Width HIGH	t _{VPH}	10		10		ns	
ADV# Setup to End of WRITE	t _{VS}	70		85		ns	
WRITE Cycle Time	t _{WC}	70		85		ns	
WRITE to DQ High-Z Output	t _{WHZ}		8		8	ns	2
WRITE Pulse Width	t _{WP}	46		55		ns	3
WRITE Pulse Width HIGH	t _{WPH}	10		10		ns	
WRITE Recovery Time	t _{WR}	0		0		ns	

NOTE:

- High-Z to Low-Z timings are tested with the circuit shown in Figure 22 on page 25. The Low-Z timings measure a 100mV transition away from the High-Z (V_{CCQ/2}) level toward either V_{OH} or V_{OL}.
- Low-Z to High-Z timings are tested with the circuit shown in Figure 22 on page 25. The High-Z timings measure a 100mV transition from either V_{OH} or V_{OL} toward V_{CCQ/2}.
- WE# LOW time must be limited to t_{CEM} (8μs).


Table 19: Burst WRITE Cycle Timing Requirements

PARAMETER	SYMBOL	-701		-708		-706, -856		UNITS	NOTES
		MIN	MAX	MIN	MAX	MIN	MAX		
CE# HIGH between Subsequent Mixed-Mode Operations	t_{CBPH}	5		5		5		ns	1
Minimum CE# Pulse Width	t_{CEM}		8		8		8	μ s	1
CE# LOW to WAIT Valid	t_{CEW}	1	7.5	1	7.5	1	7.5	ns	
Clock Period	t_{CLK}	9.62	20	12.5	20	15	20	ns	2
CE# Setup to CLK Active Edge	t_{CSP}	4	20	4.5	20	5	20	ns	
Hold Time from Active CLK Edge	t_{HD}	2		2		2		ns	
Chip Disable to WAIT High-Z Output	t_{HZ}		8		8		8	ns	
CLK Rise or Fall Time	t_{KHKL}		1.6		1.6		1.6	ns	
Clock to WAIT Valid	t_{KHTL}		7		9		11	ns	
CLK HIGH or LOW Time	t_{KP}	3		4		5		ns	
Setup Time to Activate CLK Edge	t_{SP}	3		3		3		ns	

NOTE:

- When configured for synchronous mode ($BCR[15] = 0$), a refresh opportunity must be provided every t_{CEM} . A refresh opportunity is satisfied by either of the following two conditions: a) clocked CE# HIGH, or b) CE# HIGH for greater than 15ns.
- Clock rates below 50 MHz ($t_{CLK} > 20$ ns) are allowed as long as t_{CSP} specifications are met.



TIMING DIAGRAMS

Figure 23: Initialization Period

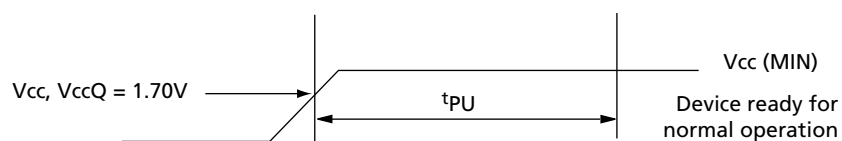
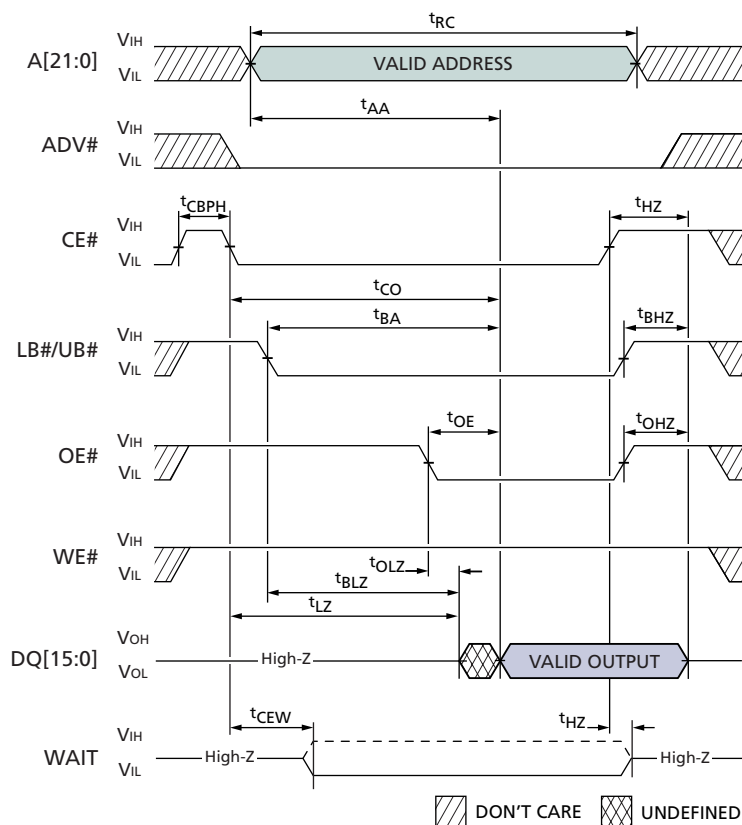


Table 20: Initialization Timing Parameters

PARAMETER	SYMBOL	-70x		-856		UNITS	NOTE
		MIN	MAX	MIN	MAX		
Initialization Period (required before normal operations)	t_{pU}		150		150	μs	


Figure 24: Asynchronous READ

Table 21: Asynchronous READ Timing Parameters

SYMBOL	-70x		-856		UNITS
	MIN	MAX	MIN	MAX	
t_{AA}		70		85	ns
t_{BA}		70		85	ns
t_{BHZ}		8		8	ns
t_{BLZ}	10		10		ns
t_{CBPH}	5		5		ns
t_{CEW}	1	7.5	1	7.5	ns
t_{CO}		70		85	ns

SYMBOL	-70x		-856		UNITS
	MIN	MAX	MIN	MAX	
t_{HZ}		8		8	ns
t_{LZ}	10		10		ns
t_{OE}		20		20	ns
t_{OHZ}		8		8	ns
t_{OLZ}	5		5		ns
t_{RC}	70		85		ns



4 MEG x 16, 2 MEG x 16
ASYNC/PAGE/BURST CellularRAM MEMORY

Figure 25: Asynchronous READ Using ADV#

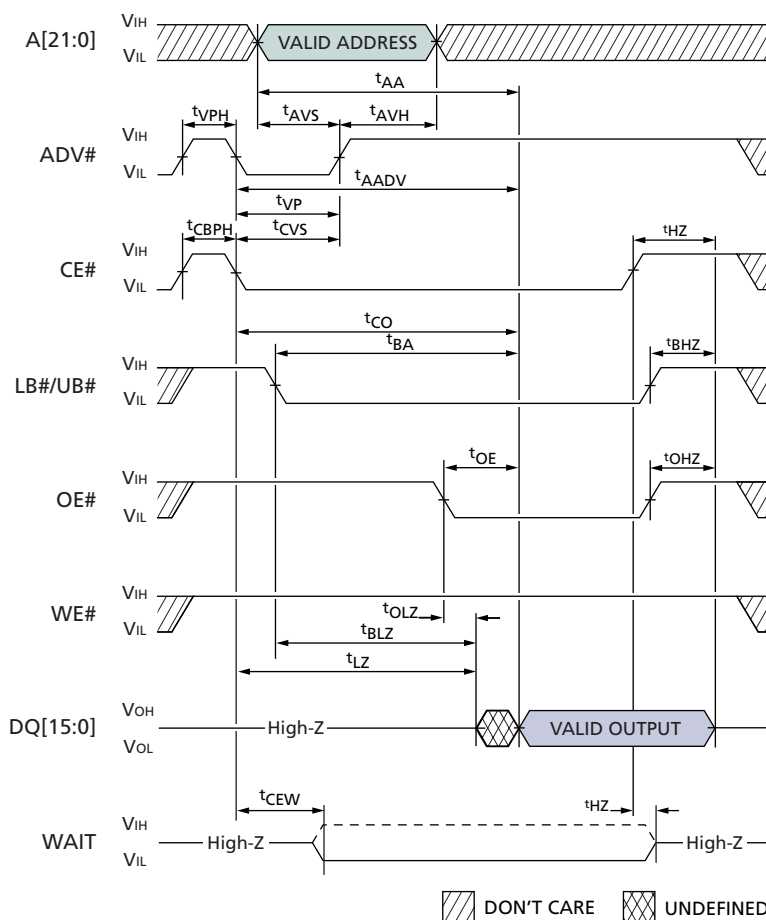


Table 22: Asynchronous READ Timing Parameters Using ADV#

SYMBOL	-70x		-856		UNITS
	MIN	MAX	MIN	MAX	
t _{AA}		70		85	ns
t _{AADV}		70		85	ns
t _{AVH}	5		5		ns
t _{AVS}	10		10		ns
t _{BA}		70		85	ns
t _{BHZ}		8		8	ns
t _{BLZ}	10		10		ns
t _{CBPH}	5		5		ns
t _{CEW}	1	7.5	1	7.5	ns

SYMBOL	-70x		-856		UNITS
	MIN	MAX	MIN	MAX	
t _{CO}		70		85	ns
t _{CVS}	10		10		ns
t _{HZ}		8		8	ns
t _{LZ}	10		10		ns
t _{OE}		20		20	ns
t _{OHZ}		8		8	ns
t _{OLZ}	5		5		ns
t _{VP}	10		10		ns
t _{VPH}	10		10		ns



4 MEG x 16, 2 MEG x 16
ASYNC/PAGE/BURST CellularRAM MEMORY

Figure 26: Page Mode READ

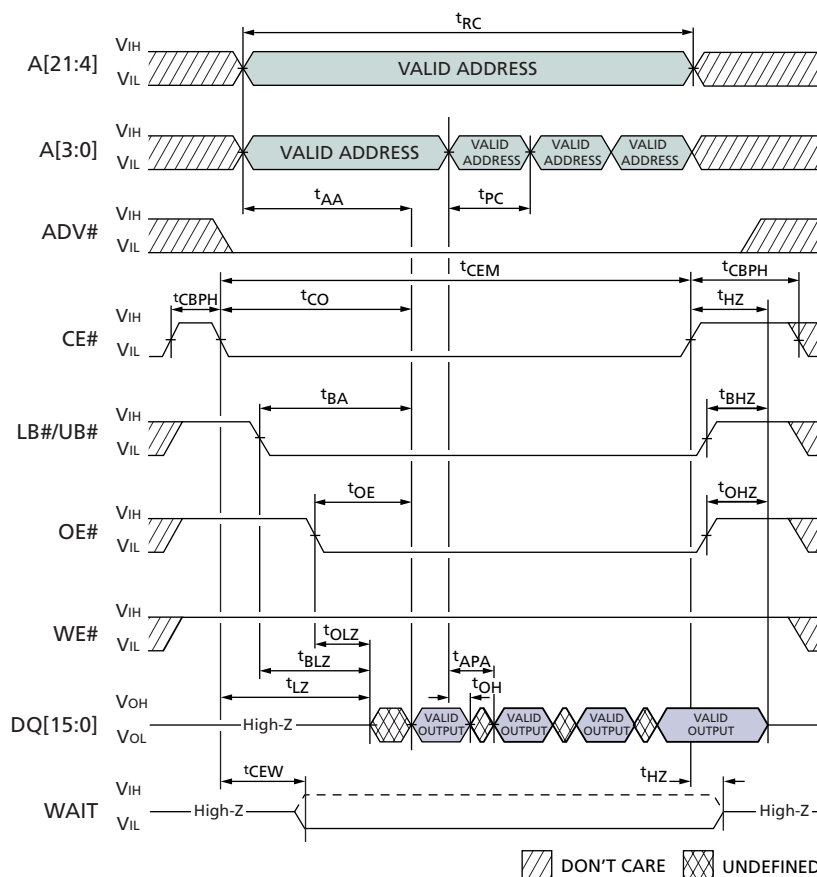


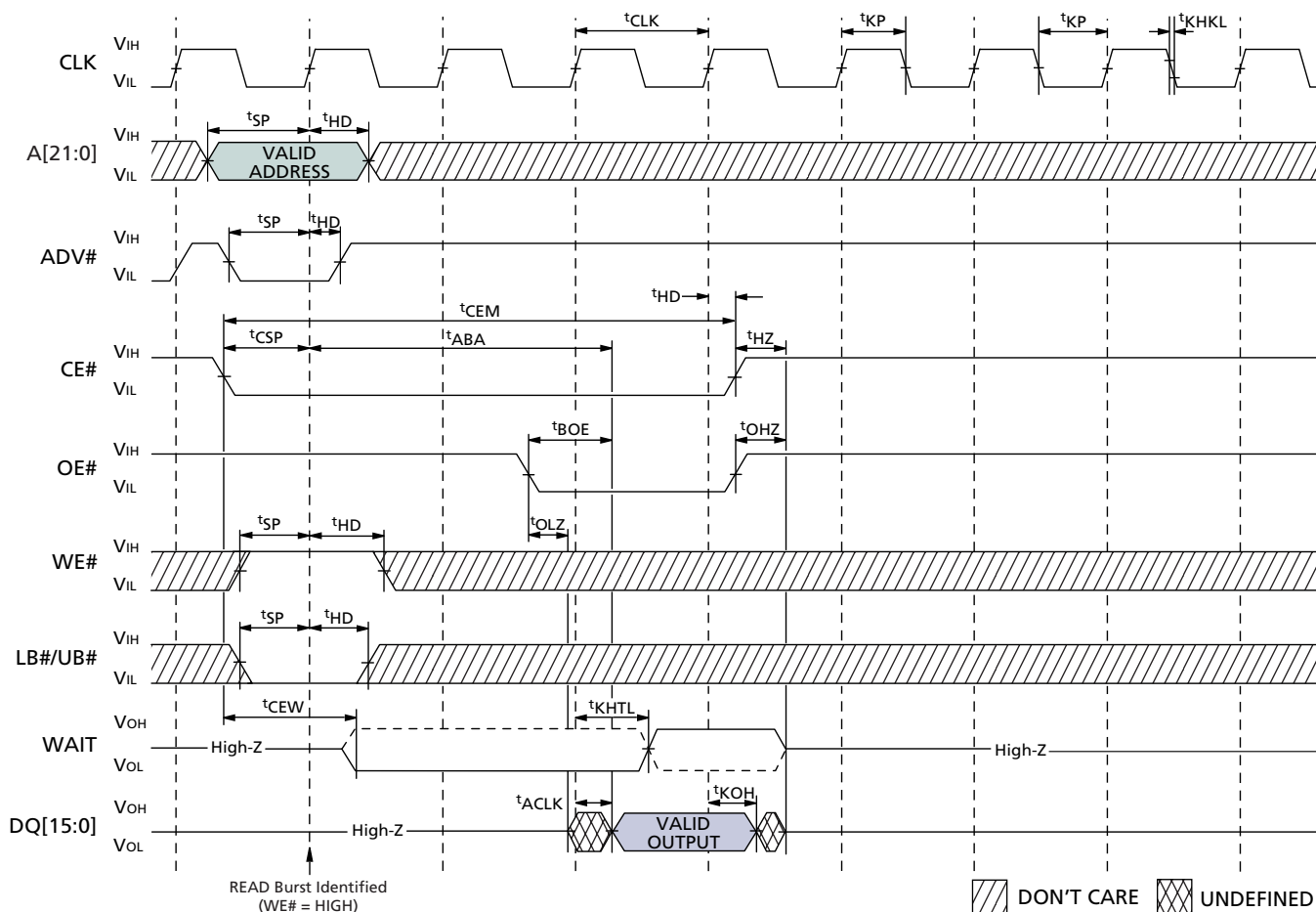
Table 23: Asynchronous READ Timing Parameters—Page Mode Operation

SYMBOL	-70x		-856		UNITS
	MIN	MAX	MIN	MAX	
t_{AA}		70		85	ns
t_{APA}		20		25	ns
t_{BA}		70		85	ns
t_{BHZ}		8		8	ns
t_{BLZ}	10		10		ns
t_{CBPH}	5		5		ns
t_{CEM}		8		8	μ s
t_{CEW}	1	7.5	1	7.5	ns
t_{CO}		70		85	ns

SYMBOL	-70x		-856		UNITS
	MIN	MAX	MIN	MAX	
t_{HZ}		8		8	ns
t_{LZ}	10		10		ns
t_{OE}		20		20	ns
t_{OH}	5		5		ns
t_{OHZ}		8		8	ns
t_{OLZ}	5		5		ns
t_{PC}	20		25		ns
t_{RC}	70		85		ns



Figure 27: Single-Access Burst READ Operation¹



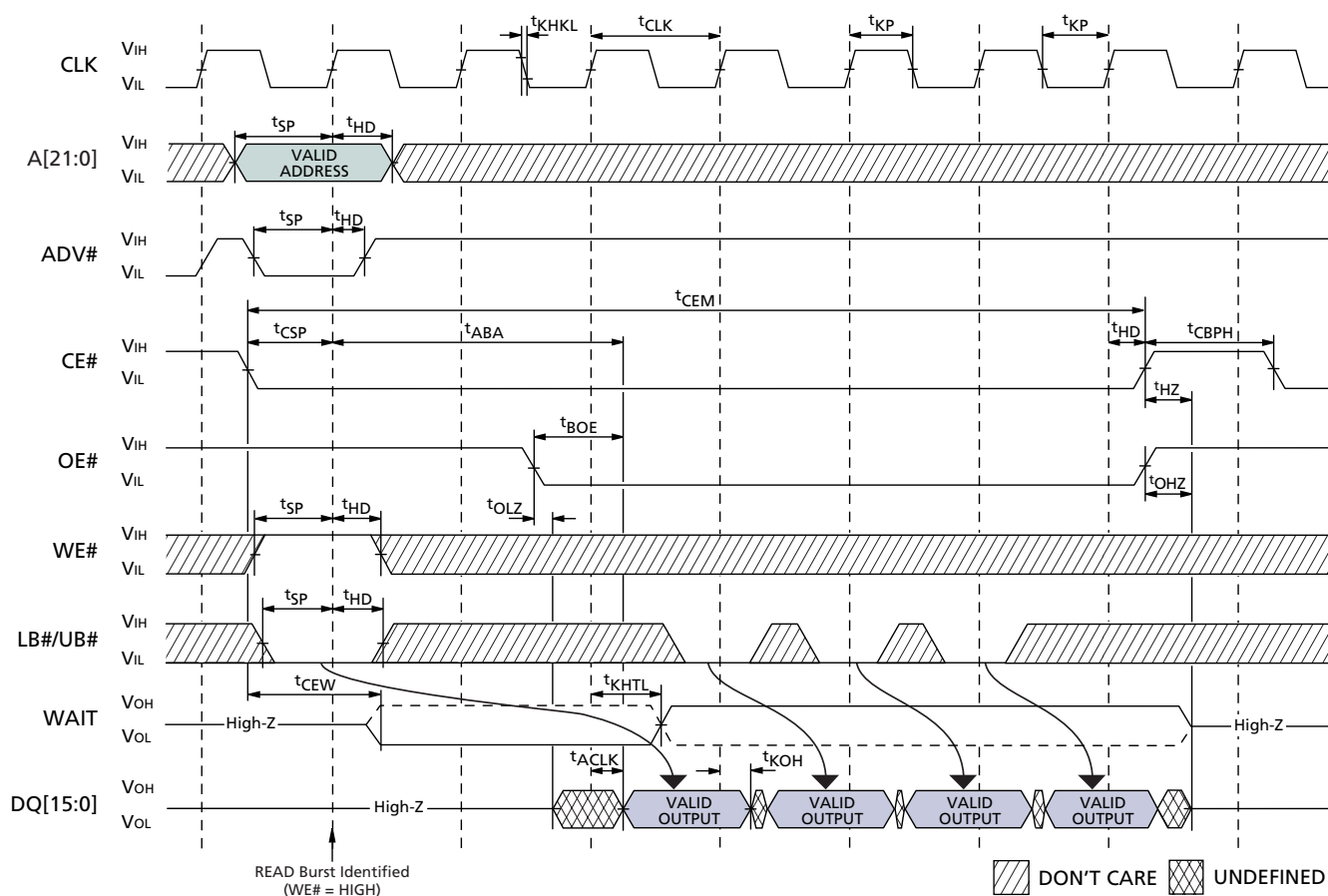
NOTE:

1. Non-default BCR settings: Latency code two (three clocks); WAIT active LOW; WAIT asserted during delay.
2. Clock rates below 50 MHz ($t_{CLK} > 20ns$) are allowed as long as t_{CSP} specifications are met.

Table 24: Burst READ Timing Parameters—Single Access

SYMBOL	-701		-708		-706, -856		UNITS
	MIN	MAX	MIN	MAX	MIN	MAX	
t_{ABA}		35		46.5		56	ns
t_{ACKL}		7		9		11	ns
t_{BOE}		20		20		20	ns
t_{CEM}		8		8		8	μs
t_{CEW}	1	7.5	1	7.5	1	7.5	ns
t_{CLK}	9.62	20	12.5	20	15	20	ns
t_{CSP}	4	20	4.5	20	5	20	ns
t_{HD}	2		2		2		ns

SYMBOL	-701		-708		-706, -856		UNITS
	MIN	MAX	MIN	MAX	MIN	MAX	
t_{HZ}		8		8		8	ns
t_{KHKL}		1.6		1.6		1.6	ns
t_{KHTL}		7		9		11	ns
t_{KOH}	2		2		2		ns
t_{KP}	3		4		5		ns
t_{OHZ}		8		8		8	ns
t_{OLZ}	5		5		5		ns
t_{SP}	3		3		3		ns


Figure 28: 4-Word Burst READ Operation¹


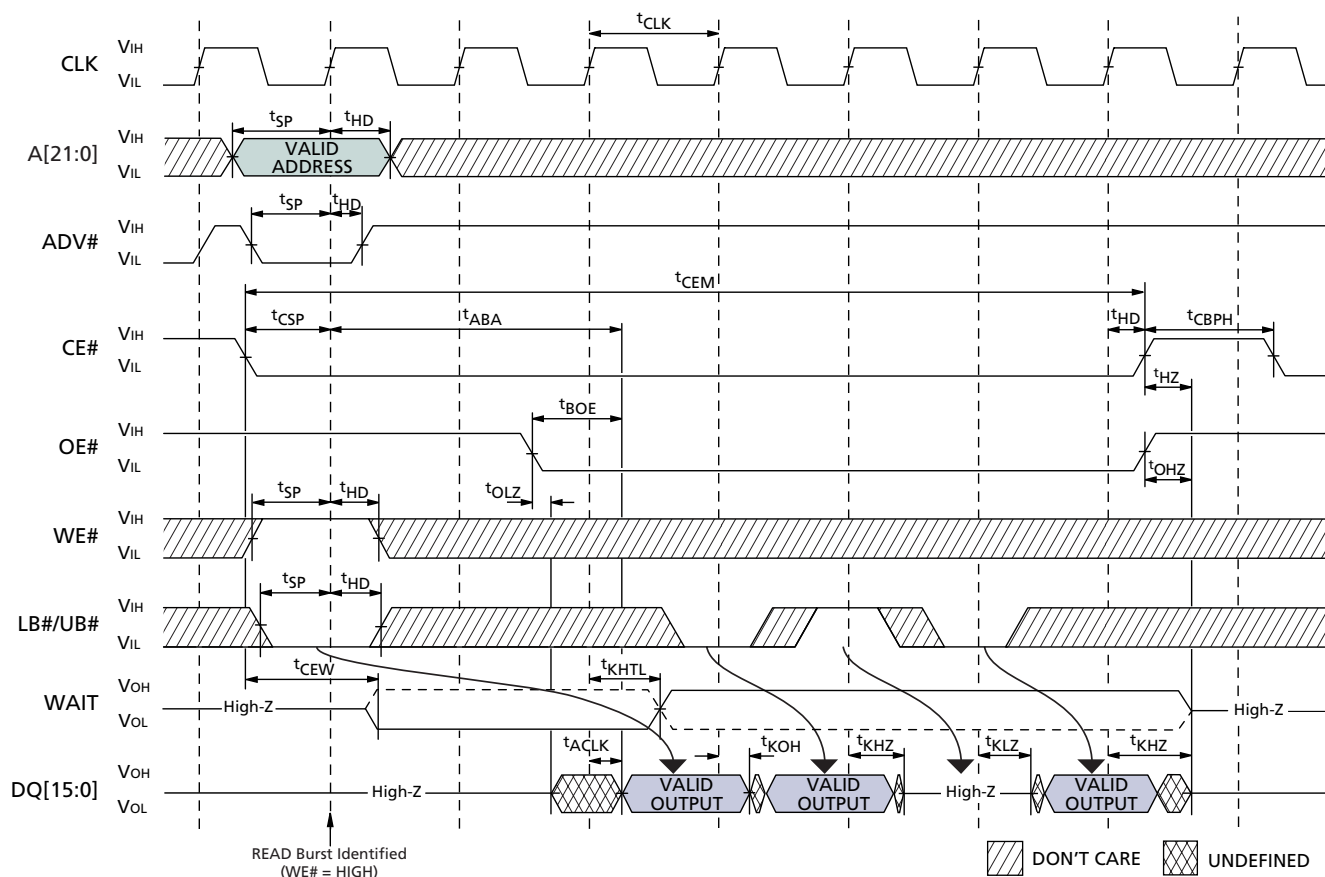
NOTE:

1. Non-default BCR settings: Latency code two (three clocks); WAIT active LOW; WAIT asserted during delay.
2. Clock rates below 50 MHz ($t_{CLK} > 20\text{ns}$) are allowed as long as t_{CSP} specifications are met.

Table 25: Burst READ Timing Parameters—4-Word Burst

SYMBOL	-701		-708		-706, -856		UNITS
	MIN	MAX	MIN	MAX	MIN	MAX	
t_{ABA}		35		46.5		56	ns
t_{ACLK}		7		9		11	ns
t_{BOE}		20		20		20	ns
t_{CBPH}	5		5		5		ns
t_{CEM}		8		8		8	μs
t_{CEW}	1	7.5	1	7.5	1	7.5	ns
t_{CLK}	9.62	20	12.5	20	15	20	ns
t_{CSP}	4	20	4.5	20	5	20	ns
t_{HD}	2		2		2		ns

SYMBOL	-701		-708		-706, -856		UNITS
	MIN	MAX	MIN	MAX	MIN	MAX	
t_{HZ}		8		8		8	ns
t_{KHKL}		1.6		1.6		1.6	ns
t_{KHTL}		7		9		11	ns
t_{KOH}	2		2		2		ns
t_{KP}	3		4		5		ns
t_{OHZ}		8		8		8	ns
t_{OLZ}	5		5		5		ns
t_{SP}	3		3		3		ns


Figure 29: 4-Word Burst READ Operation (with LB#/UB#)¹


NOTE:

1. Non-default BCR settings: Latency code two (three clocks); WAIT active LOW; WAIT asserted during delay.
2. Clock rates below 50 MHz ($t_{CLK} > 20\text{ns}$) are allowed as long as t_{CSP} specifications are met. BCR configured with a burst length of four.

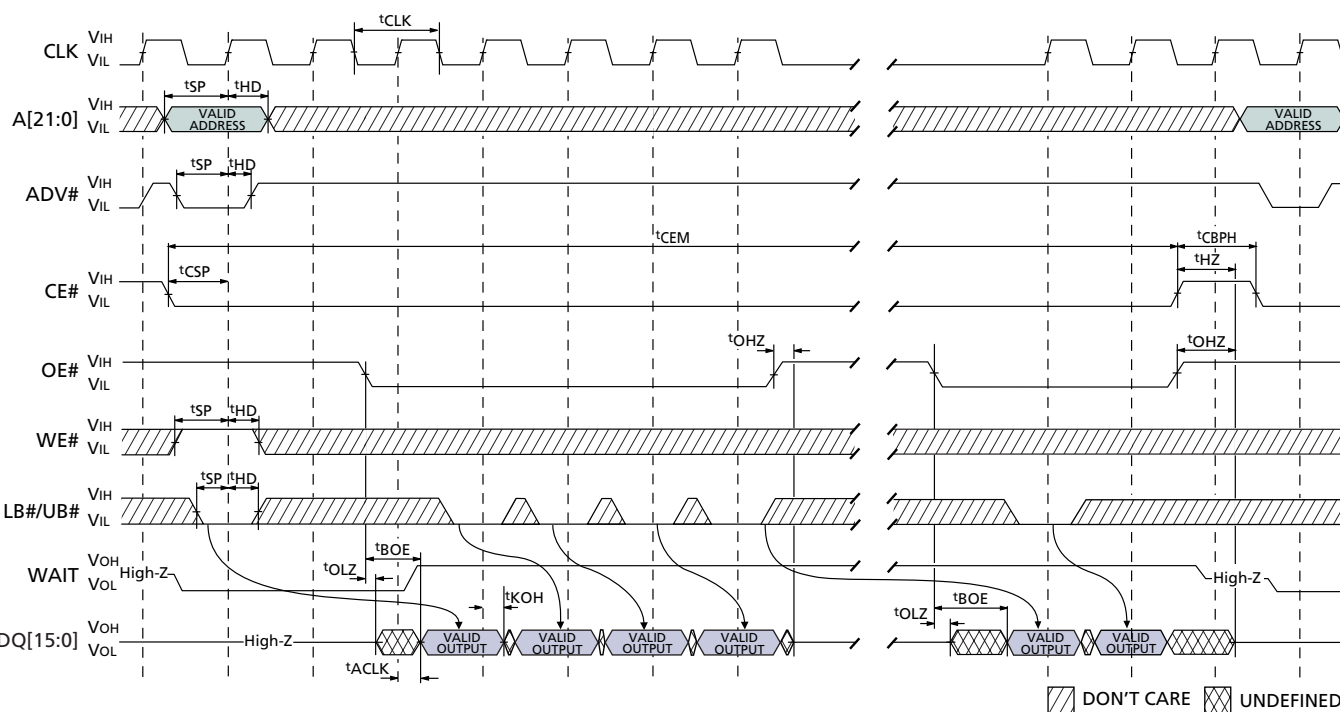
Table 26: Burst READ Timing Parameters—4-Word Burst with LB#/UB#

SYMBOL	-701		-708		-706, -856		UNITS
	MIN	MAX	MIN	MAX	MIN	MAX	
t_{ABA}		35		46.5		56	ns
t_{ACLK}		7		9		11	ns
t_{BOE}		20		20		20	ns
t_{CBPH}	5		5		5		ns
t_{CEM}		8		8		8	μs
t_{CEW}	1	7.5	1	7.5	1	7.5	ns
t_{CLK}	9.62	20	12.5	20	15	20	ns
t_{CSP}	4	20	4.5	20	5	20	ns
t_{HD}	2		2		2		ns

SYMBOL	-701		-708		-706, -856		UNITS
	MIN	MAX	MIN	MAX	MIN	MAX	
t_{HZ}		8		8		8	ns
t_{KHTL}		7		9		11	ns
t_{KHZ}	3	8	3	8	3	8	ns
t_{KLZ}	2	5	2	5	2	5	ns
t_{KOH}	2		2		2		ns
t_{OHZ}		8		8		8	ns
t_{OLZ}	5		5		5		ns
t_{SP}	3		3		3		ns



Figure 30: READ Burst Suspend¹



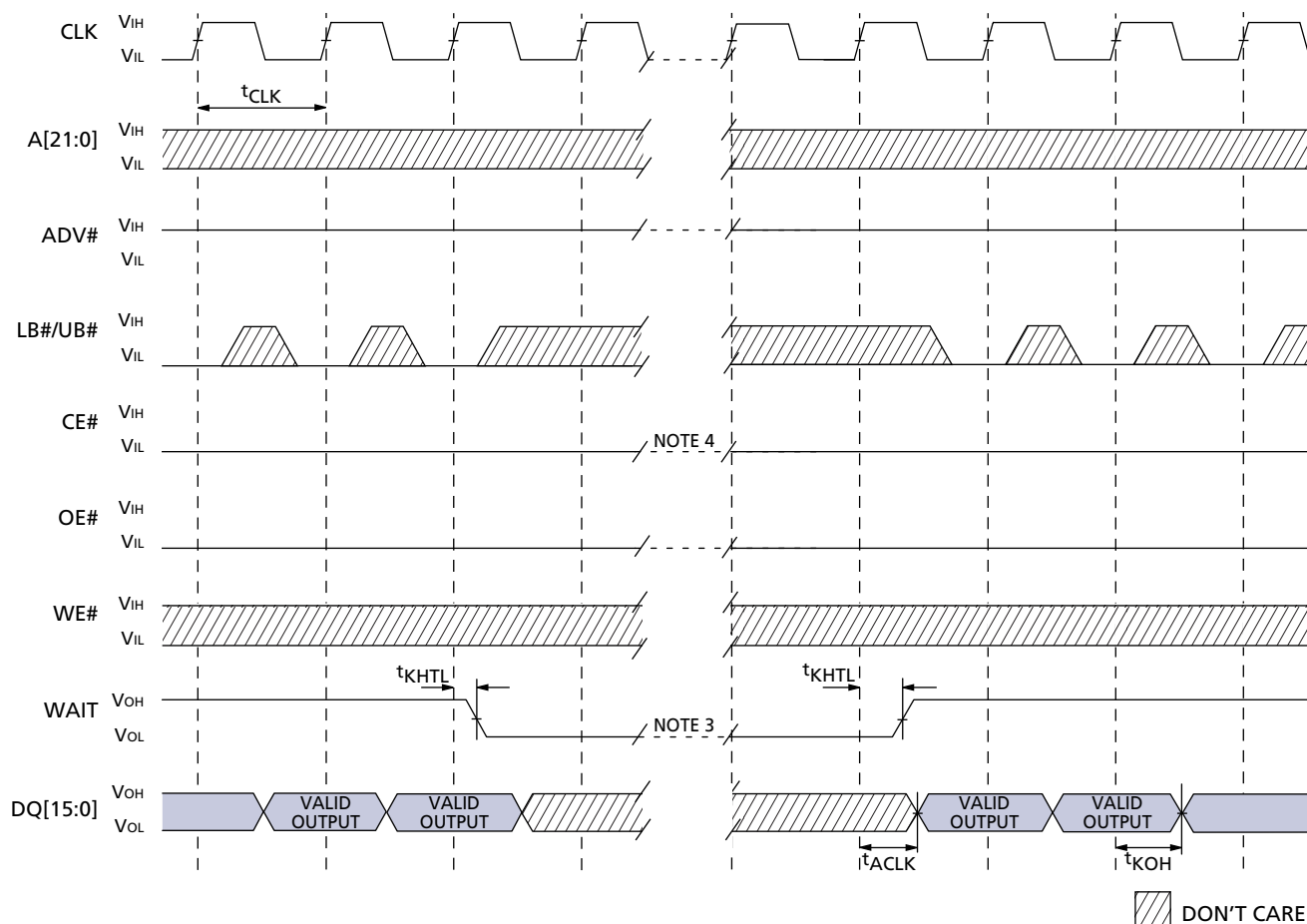
NOTE:

1. Non-default BCR settings: Latency code two (three clocks); WAIT active LOW; WAIT asserted during delay.
2. Clock rates below 50 MHz ($t_{CLK} > 20\text{ns}$) are allowed as long as t_{CSP} specifications are met.

Table 27: Burst READ Timing Parameters—Burst Suspend

SYMBOL	-701		-708		-706, -856		UNITS
	MIN	MAX	MIN	MAX	MIN	MAX	
t_{ACLK}		7		9		11	ns
t_{BOE}		20		20		20	ns
t_{CBPH}	5		5		5		ns
t_{CEM}		8		8		8	μs
t_{CLK}	9.62	20	12.5	20	15	20	ns
t_{CSP}	4	20	4.5	20	5	20	ns

SYMBOL	-701		-708		-706, -856		UNITS
	MIN	MAX	MIN	MAX	MIN	MAX	
t_{HD}	2		2		2		ns
t_{HZ}		8		8		8	ns
t_{KOH}	2		2		2		ns
t_{OHZ}		8		8		8	ns
t_{OLZ}	5		5		5		ns
t_{SP}	3		3		3		ns


**Figure 31: Continuous Burst READ Showing an Output Delay
with BCR[8] = 0 for End-of-Row Condition¹**


NOTE:

1. Non-default BCR settings: Latency code two (three clocks); WAIT active LOW; WAIT asserted during delay.
2. Clock rates below 50 MHz ($t_{CLK} > 20\text{ns}$) are allowed as long as t_{CSP} specifications are met.
3. WAIT will be asserted (2 x LC) cycles (BCR[8] = 0; WAIT asserted during delay). LC = Latency Code (BCR[13:11]).
4. CE# must not remain LOW longer than t_{CEM} .

Table 28: Burst READ Timing Parameters—BCR[8] = 0

SYMBOL	-701		-708		-706, -856		UNITS
	MIN	MAX	MIN	MAX	MIN	MAX	
t _{ACKL}		7		9		11	ns
t _{CLK}	9.62	20	12.5	20	15	20	ns

SYMBOL	-701		-708		-706, -856		UNITS
	MIN	MAX	MIN	MAX	MIN	MAX	
t _{KHTL}		7		9		11	ns
t _{KOH}	2		2		2		ns



4 MEG x 16, 2 MEG x 16
ASYNC/PAGE/BURST CellularRAM MEMORY

Figure 32: CE#-Controlled Asynchronous WRITE

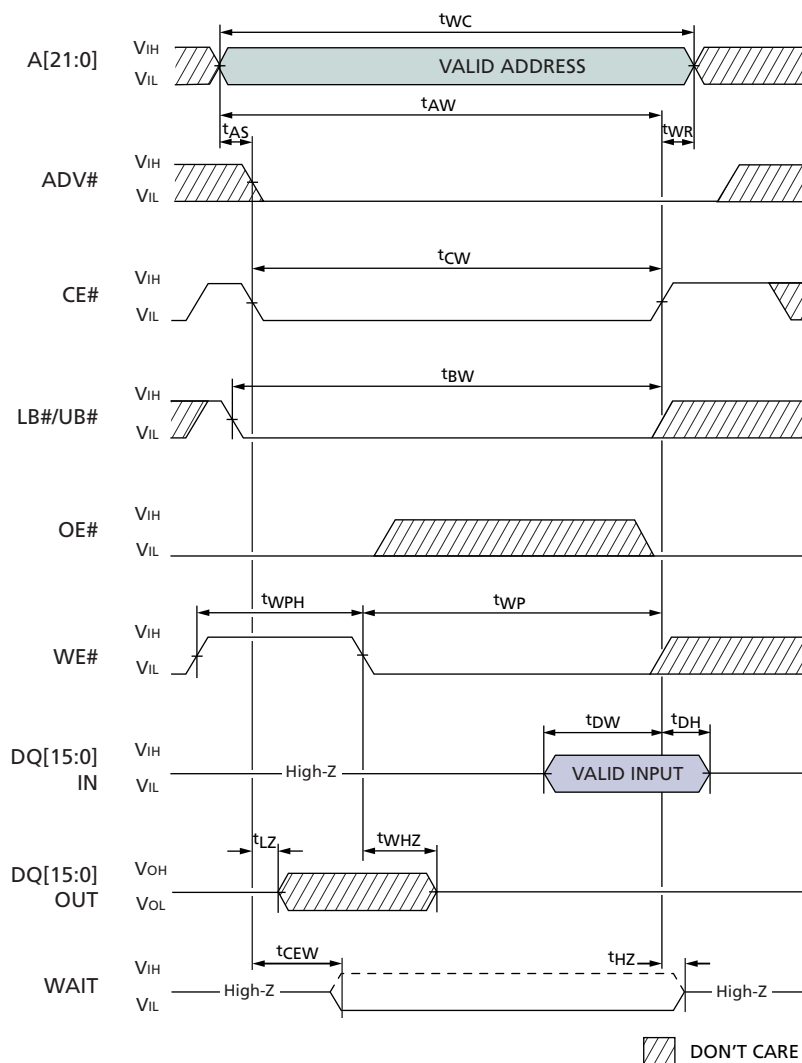


Table 29: Asynchronous WRITE Timing Parameters—CE#-Controlled

SYMBOL	-70x		-856		UNITS
	MIN	MAX	MIN	MAX	
t _{AS}	0		0		ns
t _{AW}	70		85		ns
t _{BW}	70		85		ns
t _{CEW}	1	7.5	1	7.5	ns
t _{CW}	70		85		ns
t _{DH}	0		0		ns
t _{DW}	23		23		ns

SYMBOL	-70x		-856		UNITS
	MIN	MAX	MIN	MAX	
t _{HZ}		8		8	ns
t _{LZ}	10		10		ns
t _{WC}	70		85		ns
t _{WHZ}		8		8	ns
t _{WP}	46		55		ns
t _{WPH}	10		10		ns
t _{WR}	0		0		ns



Figure 33: LB#/UB#-Controlled Asynchronous WRITE

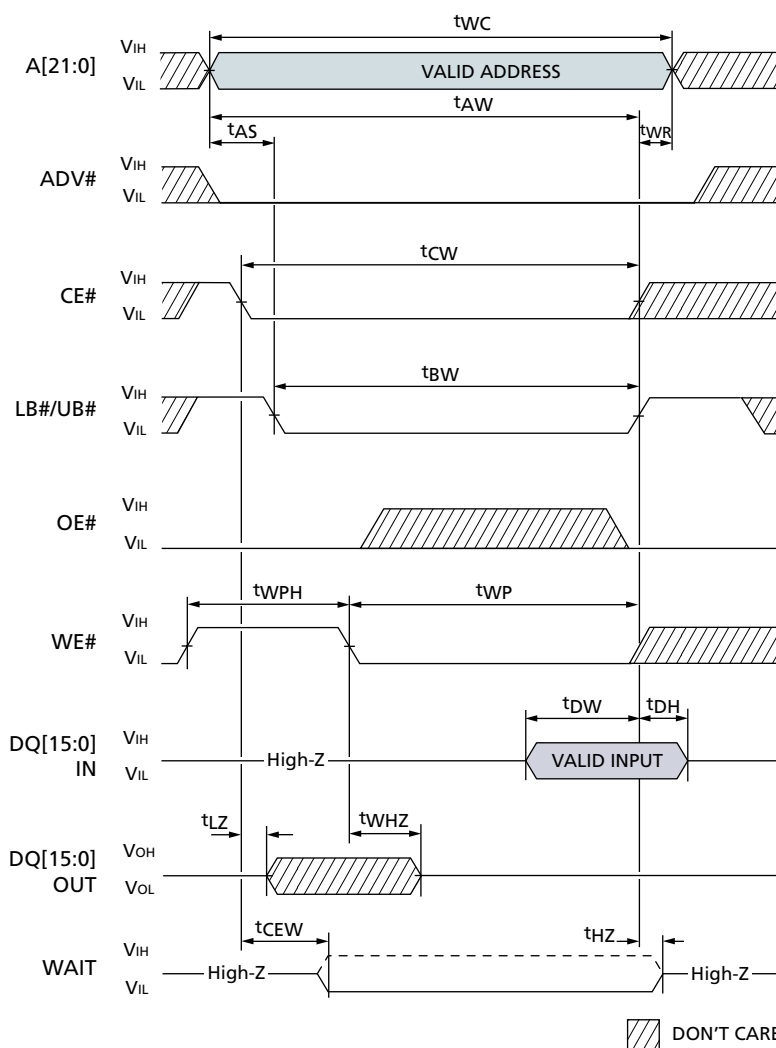
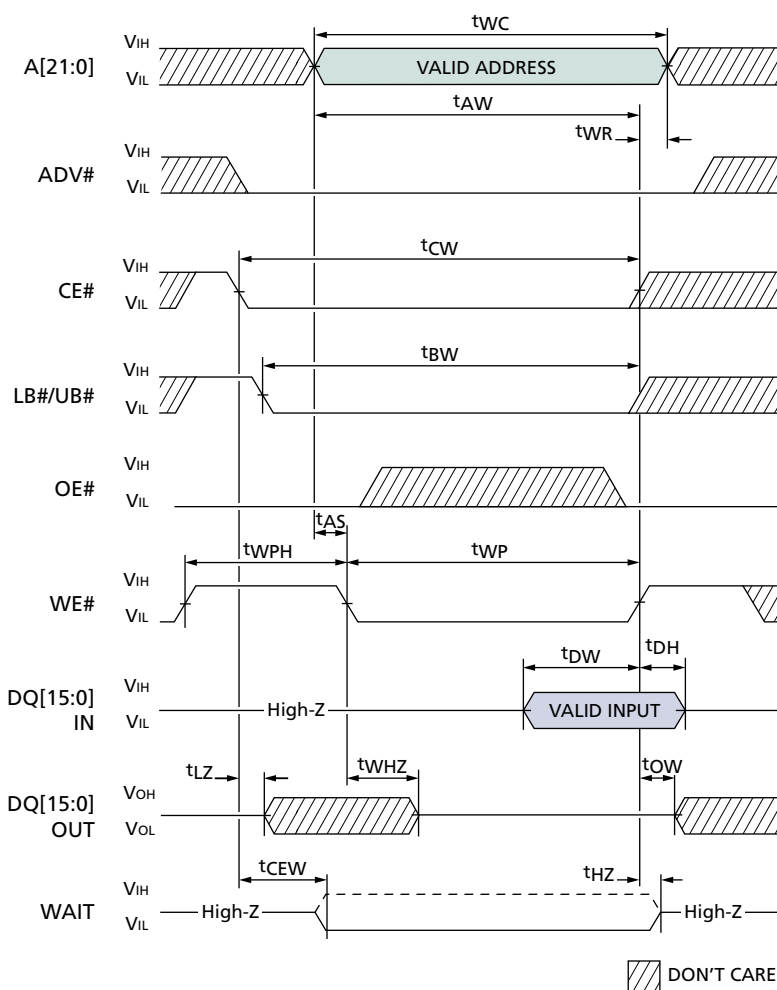


Table 30: Asynchronous WRITE Timing Parameters—LB#/UB#-Controlled

SYMBOL	-70x		-856		UNITS
	MIN	MAX	MIN	MAX	
t _{AS}	0		0		ns
t _{AW}	70		85		ns
t _{BW}	70		85		ns
t _{CEW}	1	7.5	1	7.5	ns
t _{CW}	70		85		ns
t _{DH}	0		0		ns
t _{DW}	23		23		ns

SYMBOL	-70x		-856		UNITS
	MIN	MAX	MIN	MAX	
t _{HZ}		8		8	ns
t _{LZ}	10		10		ns
t _{WC}	70		85		ns
t _{WHZ}		8		8	ns
t _{WP}	46		55		ns
t _{WPH}	10		10		ns
t _{WR}	0		0		ns


Figure 34: WE#-Controlled Asynchronous WRITE

Table 31: Asynchronous WRITE Timing Parameters—WE#-Controlled

SYMBOL	-70x		-856		UNITS
	MIN	MAX	MIN	MAX	
t_{AS}	0		0		ns
t_{AW}	70		85		ns
t_{BW}	70		85		ns
t_{CEW}	1	7.5	1	7.5	ns
t_{CW}	70		85		ns
t_{DH}	0		0		ns
t_{DW}	23		23		ns
t_{HZ}		8		8	ns

SYMBOL	-70x		-856		UNITS
	MIN	MAX	MIN	MAX	
t_{LZ}	10		10		ns
t_{OW}	5		5		ns
t_{WC}	70		85		ns
t_{WHZ}		8		8	ns
t_{WP}	46		55		ns
t_{WPH}	10		10		ns
t_{WR}	0		0		ns



Figure 35: Asynchronous WRITE Using ADV#

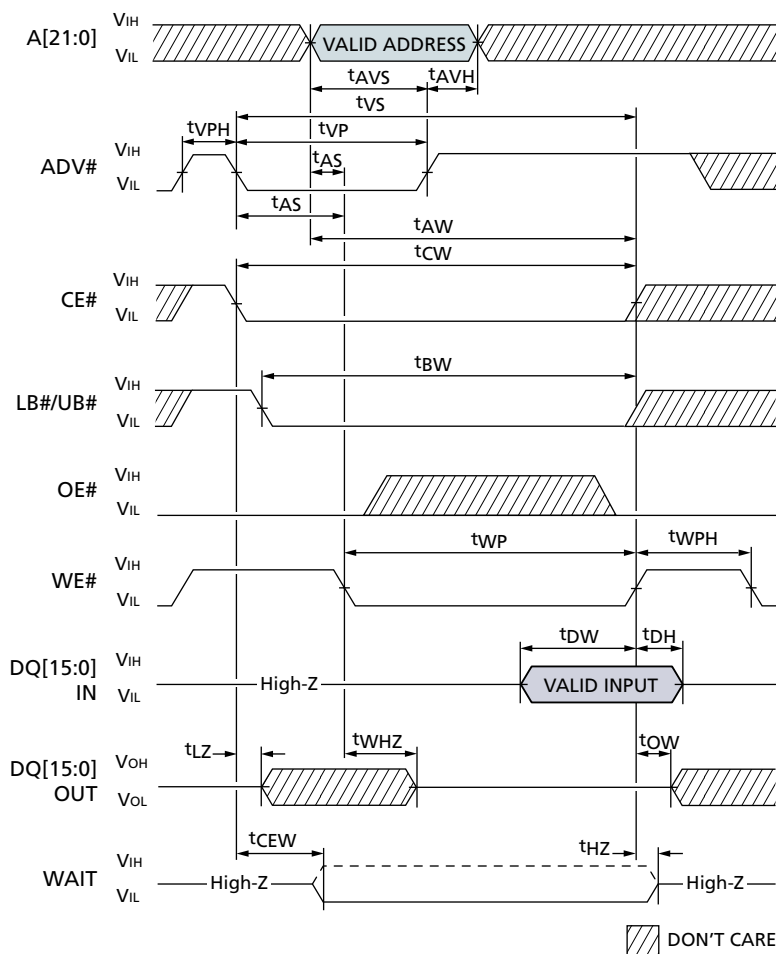


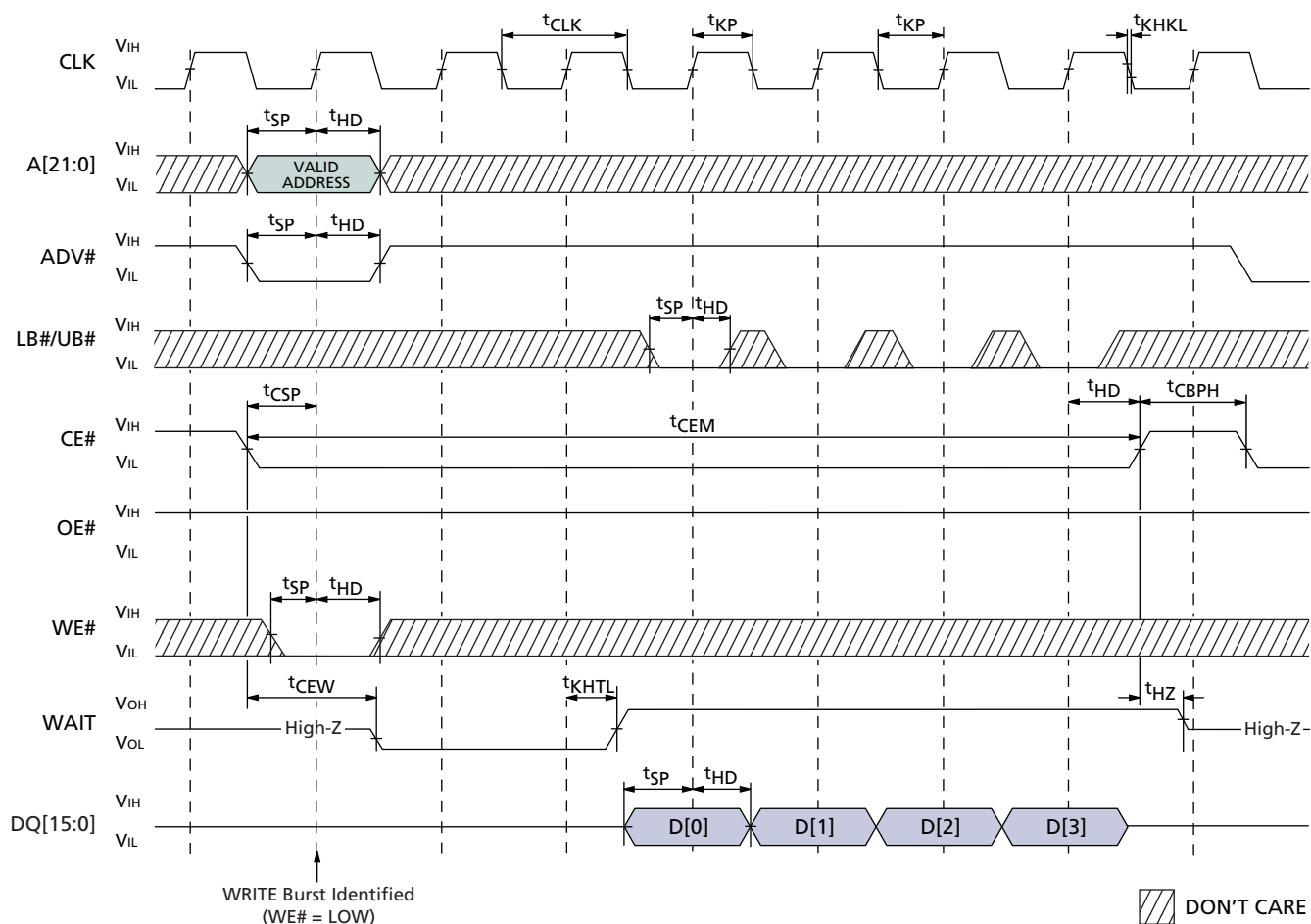
Table 32: Asynchronous WRITE Timing Parameters Using ADV#

SYMBOL	-70x		-856		UNITS
	MIN	MAX	MIN	MAX	
tAS	0		0		ns
tAVH	5		5		ns
tAVS	10		10		ns
tAW	70		85		ns
tBW	70		85		ns
tCEW	1	7.5	1	7.5	ns
tCW	70		85		ns
tDH	0		0		ns
tDW	23		23		ns

SYMBOL	-70x		-856		UNITS
	MIN	MAX	MIN	MAX	
tHZ		8		8	ns
tLZ	10		10		ns
tOW	5		5		ns
tVP	10		10		ns
tVPH	10		10		ns
tVS	70		85		ns
tWHZ		8		8	ns
tWP	46		55		ns
tWPH	10		10		ns



Figure 36: Burst WRITE Operation¹



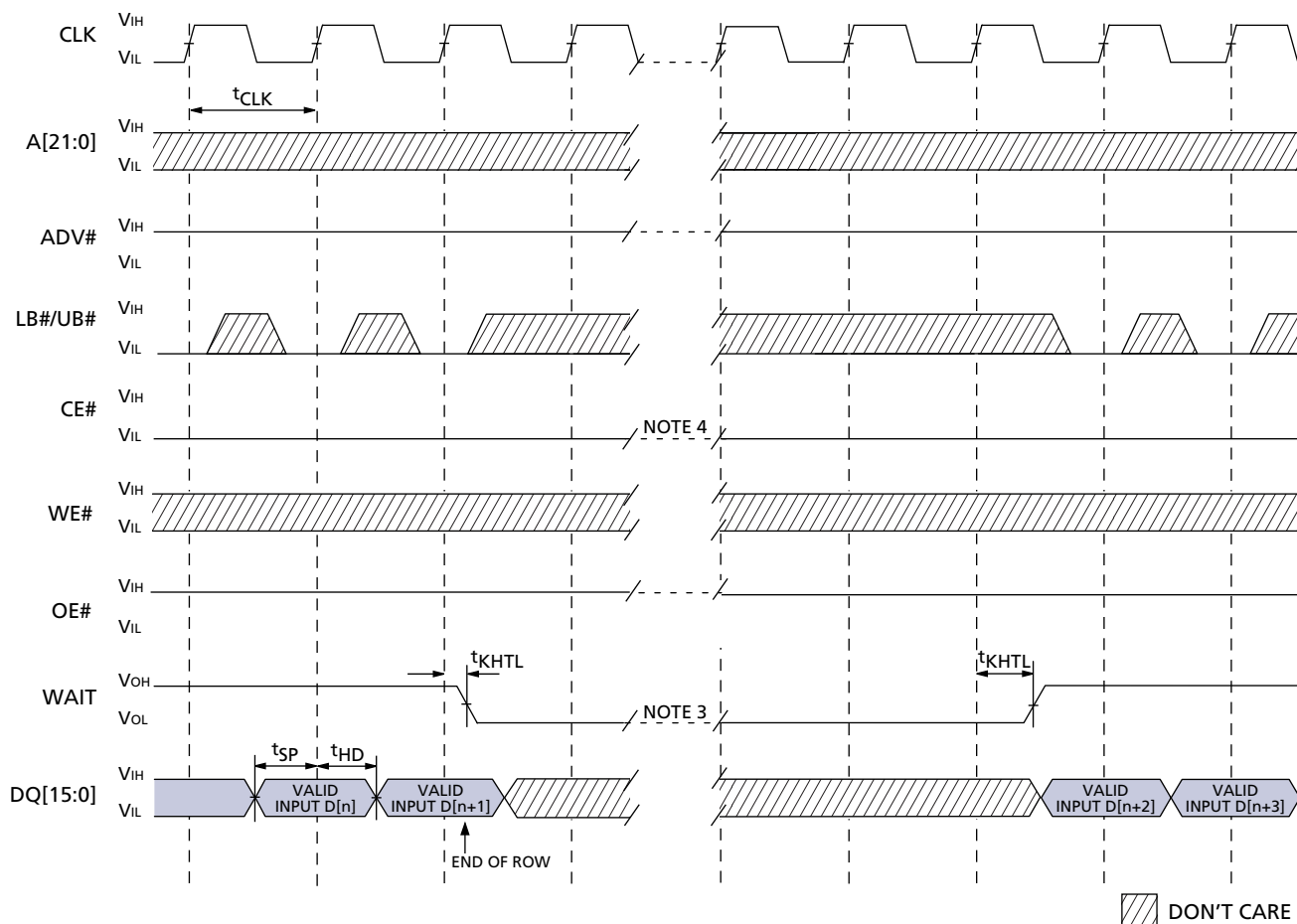
NOTE:

1. Non-default BCR settings: Latency code two (three clocks); WAIT active LOW; WAIT asserted during delay.
2. Clock rates below 50 MHz ($t_{CLK} > 20\text{ns}$) are allowed as long as t_{CSP} specifications are met.

Table 33: Burst WRITE Timing Parameters

SYMBOL	-701		-708		-706, -856		UNITS
	MIN	MAX	MIN	MAX	MIN	MAX	
t_{CBPH}	5		5		5		ns
t_{CEM}		8		8		8	μs
t_{CEW}	1	7.5	1	7.5	1	7.5	ns
t_{CLK}	9.62	20	12.5	20	15	20	ns
t_{CSP}	4	20	4.5	20	5	20	ns
t_{HD}	2		2		2		ns

SYMBOL	-701		-708		-706, -856		UNITS
	MIN	MAX	MIN	MAX	MIN	MAX	
t_{HZ}		8		8		8	ns
t_{KHKL}		1.6		1.6		1.6	ns
t_{KHTL}		7		9		11	ns
t_{KP}	3		4		5		ns
t_{SP}	3		3		3		ns


**Figure 37: Continuous Burst WRITE Showing an Output Delay
with BCR[8] = 0 for End-of-Row Condition¹**


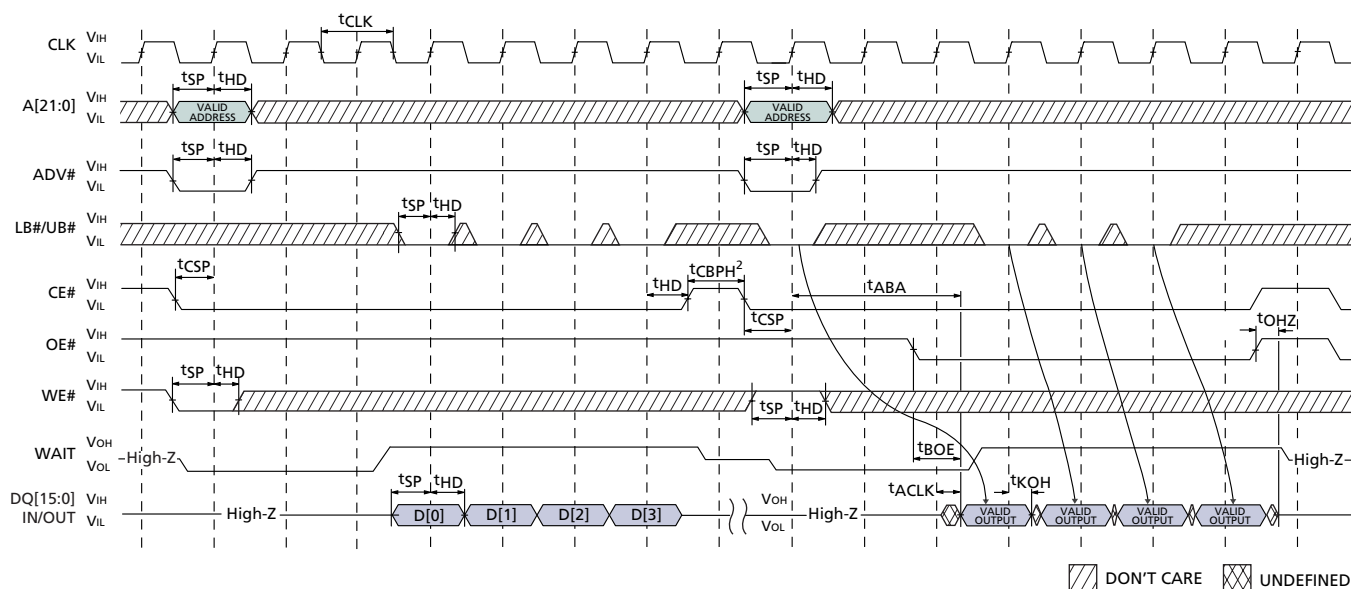
NOTE:

1. Non-default BCR settings: Latency code two (three clocks); WAIT active LOW; WAIT asserted during delay.
2. Clock rates below 50 MHz ($t_{CLK} > 20\text{ns}$) are allowed as long as t_{CSP} specifications are met.
3. WAIT will be asserted (2 x LC) + 1 cycles (BCR[8] = 0; WAIT asserted during delay). LC = Latency Code (BCR[13:11]).
4. CE# must not remain LOW longer than t_{CEM} .

Table 34: Burst WRITE Timing Parameters—BCR[8] = 0

SYMBOL	-701		-708		-706, -856		UNITS
	MIN	MAX	MIN	MAX	MIN	MAX	
t_{CLK}	9.62	20	12.5	20	15	20	ns
t_{HD}	2		2		2		ns

SYMBOL	-701		-708		-706, -856		UNITS
	MIN	MAX	MIN	MAX	MIN	MAX	
t_{KHTL}		7		9		11	ns
t_{SP}	3		3		3		ns


Figure 38: Burst WRITE Followed by Burst READ¹


NOTE:

1. Non-default BCR settings: Latency code two (three clocks); WAIT active LOW; WAIT asserted during delay.
2. When configured for synchronous mode (BCR[15] = 0), a refresh opportunity must be provided every t_{CEM} . A refresh opportunity is satisfied by either of the following two conditions: a) clocked CE# HIGH, or b) CE# HIGH for greater than 15ns.
3. Clock rates below 50 MHz ($t_{CLK} > 20ns$) are allowed as long as t_{CSP} specifications are met.

Table 35: WRITE Timing Parameters—Burst WRITE Followed by Burst READ

SYMBOL	-701		-708		-706, -856		UNITS
	MIN	MAX	MIN	MAX	MIN	MAX	
t_{CBPH}	5		5		5		ns
t_{CLK}	9.62	20	12.5	20	15	20	ns
t_{CSP}	4	20	4.5	20	5	20	ns

SYMBOL	-701		-708		-706, -856		UNITS
	MIN	MAX	MIN	MAX	MIN	MAX	
t_{HD}	2		2		2		ns
t_{SP}	3		3		3		ns

Table 36: READ Timing Parameters—Burst WRITE Followed by Burst READ

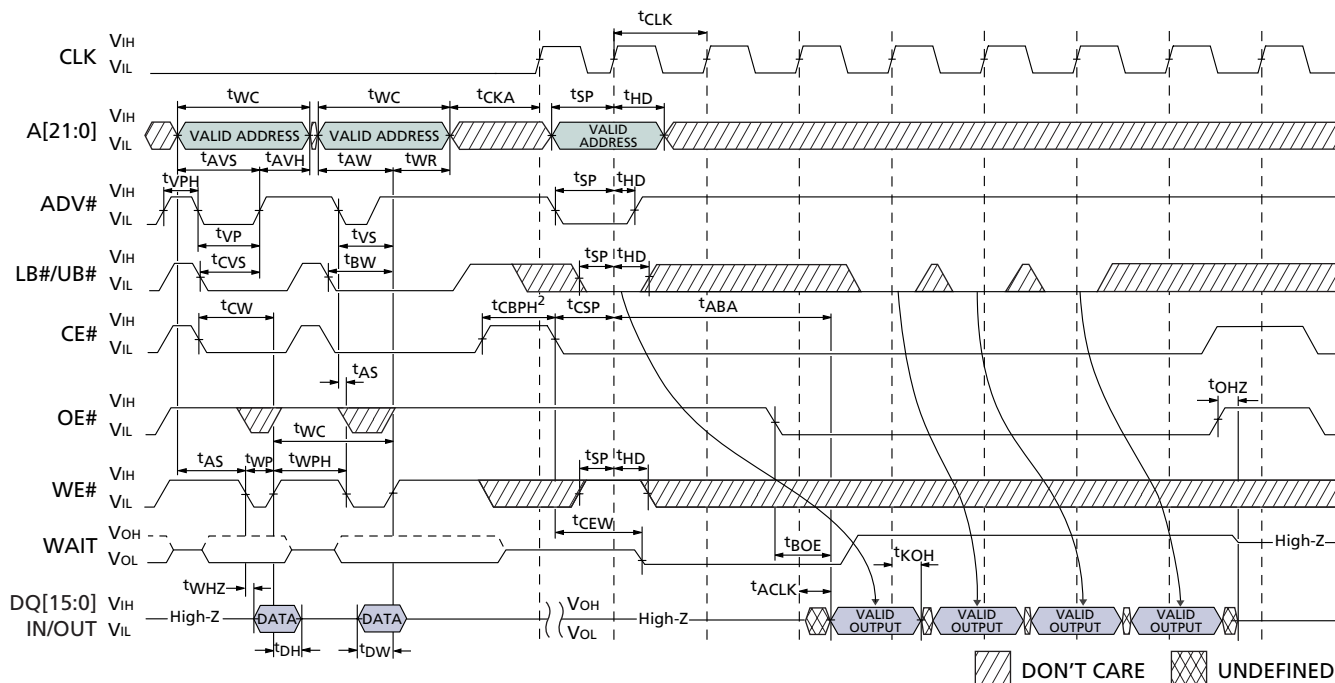
SYMBOL	-701		-708		-706, -856		UNITS
	MIN	MAX	MIN	MAX	MIN	MAX	
t_{ABA}		35		46.5		56	ns
t_{ACKL}		7		9		11	ns
t_{BOE}		20		20		20	ns
t_{CLK}	9.62	20	12.5	20	15	20	ns
t_{CSP}	4	20	4.5	20	5	20	ns

SYMBOL	-701		-708		-706, -856		UNITS
	MIN	MAX	MIN	MAX	MIN	MAX	
t_{HD}	2		2		2		ns
t_{KOH}	2		2		2		ns
t_{OHZ}		8		8		8	ns
t_{SP}	3		3		3		ns



4 MEG x 16, 2 MEG x 16
ASYNC/PAGE/BURST CellularRAM MEMORY

Figure 39: Asynchronous WRITE Followed by Burst READ¹



NOTE:

1. Non-default BCR settings: Latency code two (three clocks); WAIT active LOW; WAIT asserted during delay.
2. When configured for synchronous mode (BCR[15] = 0), a refresh opportunity must be provided every tCEM. A refresh opportunity is satisfied by either of the following two conditions: a) clocked CE# HIGH, or b) CE# HIGH for greater than 15ns.
3. Clock rates below 50 MHz (tCLK > 20ns) are allowed as long as tCSP specifications are met.

Table 37: WRITE Timing Parameters—Async WRITE Followed by Burst READ

SYMBOL	-70x		-856		UNITS
	MIN	MAX	MIN	MAX	
tAS	0		0		ns
tAVH	5		5		ns
tAVS	10		10		ns
tAW	70		85		ns
tBW	70		85		ns
tCKA	70		85		ns
tCVS	10		10		ns
tCW	70		85		ns
tDH	0		0		ns

SYMBOL	-70x		-856		UNITS
	MIN	MAX	MIN	MAX	
tDW	20		23		ns
tVP	10		10		ns
tVPH	10		10		ns
tVS	70		85		ns
tWC	70		85		ns
tWHZ		8		8	ns
tWP	46		55		ns
tWPH	10		10		ns
tWR	0		0		ns

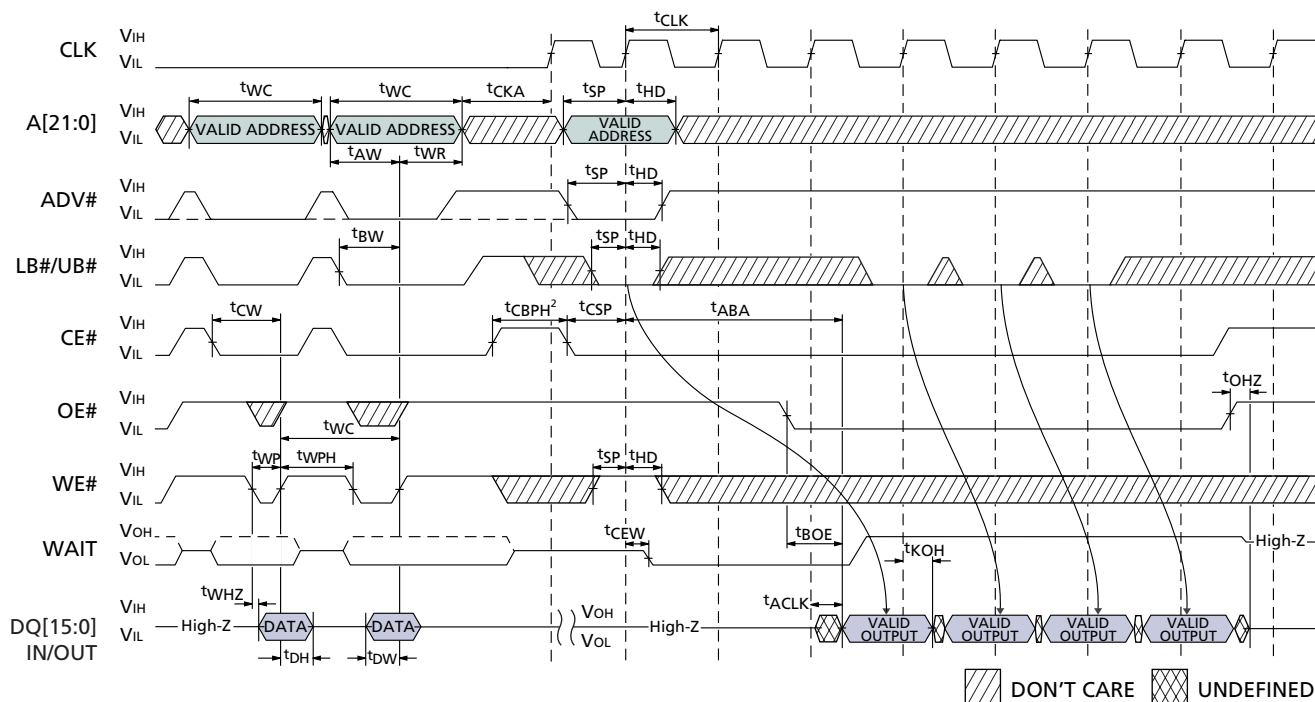
Table 38: READ Timing Parameters—Async WRITE Followed by Burst READ

SYMBOL	-701		-708		-706, -856		UNITS
	MIN	MAX	MIN	MAX	MIN	MAX	
tABA		35		46.5		56	ns
tACK		7		9		11	ns
tBOE		20		20		20	ns
tCBPH	5		5		5		ns
tCEW	1	7.5	1	7.5	1	7.5	ns
tCLK	9.62	20	12.5	20	15	20	ns

SYMBOL	-701		-708		-706, -856		UNITS
	MIN	MAX	MIN	MAX	MIN	MAX	
tCSP	4	20	4.5	20	5	20	ns
tHD	2		2		2		ns
tKOH	2		2		2		ns
tOHZ		8		8		8	ns
tSP	3		3		3		ns



Figure 40: Asynchronous WRITE Followed By Burst READ—ADV# LOW¹



NOTE:

1. Non-default BCR settings: Latency code two (three clocks); WAIT active LOW; WAIT asserted during delay.
2. When configured for synchronous mode (BCR[15] = 0), a refresh opportunity must be provided every tCEM. A refresh opportunity is satisfied by either of the following two conditions: a) clocked CE# HIGH, or b) CE# HIGH for greater than 15ns.
3. Clock rates below 50 MHz (tCLK > 20ns) are allowed as long as tCSP specifications are met.

Table 39: Asynchronous WRITE Timing Parameters—ADV# LOW

SYMBOL	-70x		-856		UNITS
	MIN	MAX	MIN	MAX	
tAW	70		85		ns
tBW	70		85		ns
tCKA	70		85		ns
tCW	70		85		ns
tDH	0		0		ns
tDW	23		23		ns

SYMBOL	-70x		-856		UNITS
	MIN	MAX	MIN	MAX	
tWC	70		85		ns
tWHZ		8		8	ns
tWP	46		55		ns
tWPH	10		10		ns
tWR	0		0		ns

Table 40: Burst READ Timing Parameters

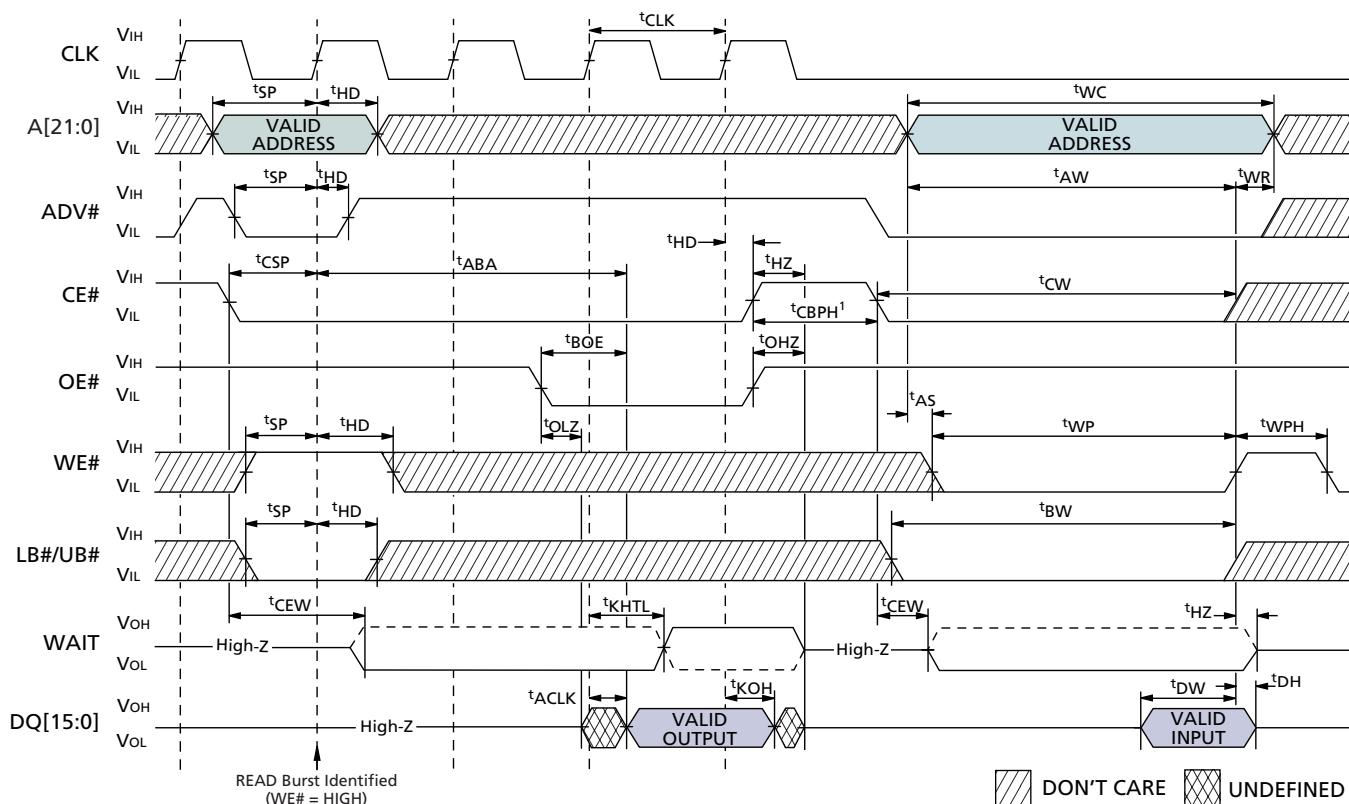
SYMBOL	-701		-708		-706, -856		UNITS
	MIN	MAX	MIN	MAX	MIN	MAX	
tABA		35		46.5		56	ns
tACK		7		9		11	ns
tBOE		20		20		20	ns
tCBPH	5		5		5		ns
tCEW	1	7.5	1	7.5	1	7.5	ns
tCLK	9.62	20	12.5	20	15	20	ns

SYMBOL	-701		-708		-706, -856		UNITS
	MIN	MAX	MIN	MAX	MIN	MAX	
tCSP	4	20	4.5	20	5	20	ns
tHD	2		2		2		ns
tKOH	2		2		2		ns
tOHZ		8		8		8	ns
tSP	3		3		3		ns



4 MEG x 16, 2 MEG x 16
ASYNC/PAGE/BURST CellularRAM MEMORY

Figure 41: Burst READ Followed by Asynchronous WRITE (WE#-Controlled)



NOTE:

- When configured for synchronous mode (BCR[15] = 0), a refresh opportunity must be provided every t_{CEM} . A refresh opportunity is satisfied by either of the following two conditions: a) clocked CE# HIGH, or b) CE# HIGH for greater than 15ns.

Table 41: Burst READ Timing Parameters

SYMBOL	-701		-708		-706, -856		UNITS
	MIN	MAX	MIN	MAX	MIN	MAX	
t_{ABA}		35		46.5		56	ns
t_{ACKL}		7		9		11	ns
t_{BOE}		20		20		20	ns
t_{CBPH}	5		5		5		ns
t_{CEW}	1	7.5	1	7.5	1	7.5	ns
t_{CLK}	9.62	20	12.5	20	15	20	ns
t_{CSP}	4	20	4.5	20	5	20	ns

SYMBOL	-701		-708		-706, -856		UNITS
	MIN	MAX	MIN	MAX	MIN	MAX	
t_{HD}	2		2		2		ns
t_{HZ}		8		8		8	ns
t_{KHTL}		7		9		11	ns
t_{KOH}	2		2		2		ns
t_{OHZ}		8		8		8	ns
t_{SP}	3		3		3		ns

Table 42: Asynchronous WRITE Timing Parameters—WE# Controlled

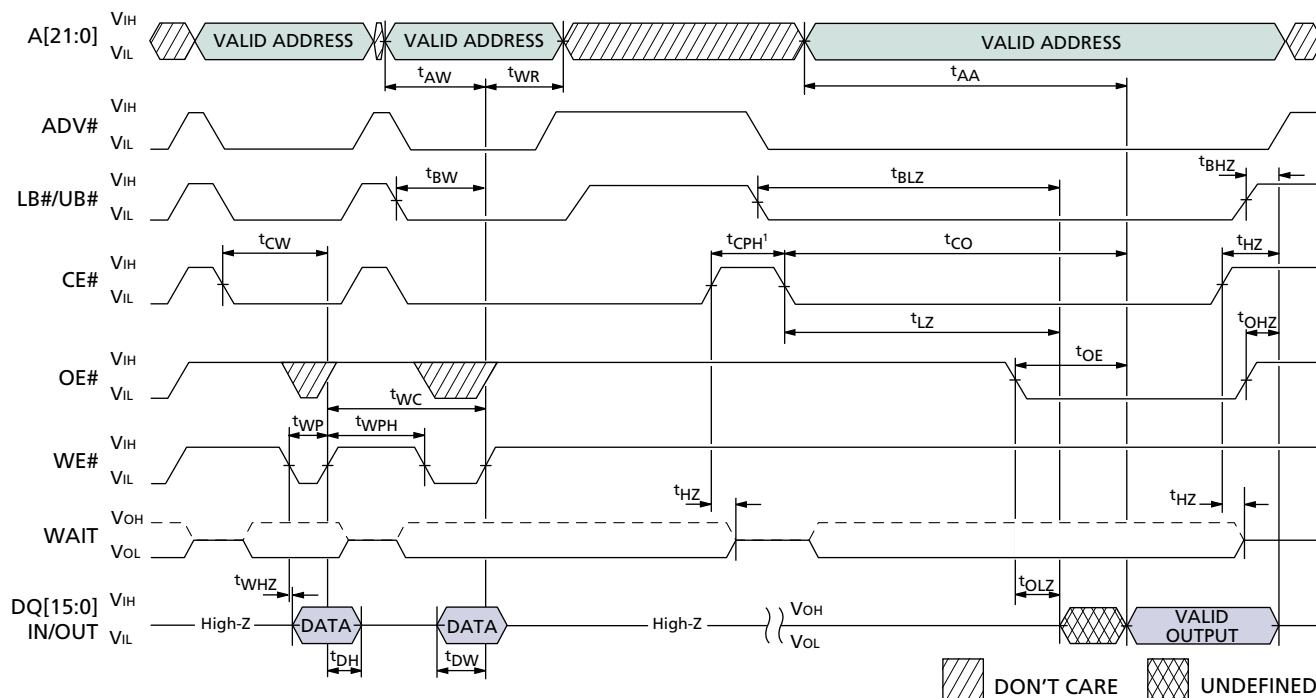
SYMBOL	-70x		-856		UNITS
	MIN	MAX	MIN	MAX	
t_{AS}	0			0	ns
t_{AW}	70		85		ns
t_{BW}	70		85		ns
t_{CW}	70		85		ns
t_{DH}	0		0		ns
t_{DW}	23		23		ns

SYMBOL	-70x		-856		UNITS
	MIN	MAX	MIN	MAX	
t_{HZ}		8		8	ns
t_{WC}	70		85		ns
t_{WP}	46		55		ns
t_{WPH}	10		10		ns
t_{WR}	0		0		ns



4 MEG x 16, 2 MEG x 16
ASYNC/PAGE/BURST CellularRAM MEMORY

Figure 43: Asynchronous WRITE Followed by Asynchronous READ—ADV# LOW



NOTE:

1. When transitioning between asynchronous cycles, CE# must remain HIGH for at least 5ns (t_{CPH}) to schedule the appropriate internal refresh operation. BCR[15] can be 1 or 0.

Table 45: WRITE Timing Parameters—ADV# LOW

SYMBOL	-70x		-856		UNITS
	MIN	MAX	MIN	MAX	
t_{AW}	70		85		ns
t_{BW}	70		85		ns
t_{CW}	70		85		ns
t_{DH}	0		0		ns
t_{DW}	23		23		ns
t_{HZ}		8		8	ns

SYMBOL	-70x		-856		UNITS
	MIN	MAX	MIN	MAX	
t_{WC}	70		85		ns
t_{WHZ}		8		8	ns
t_{WP}	46		55		ns
t_{WPH}	10		10		ns
t_{WR}	0		0		ns

Table 46: READ Timing Parameters—ADV# LOW

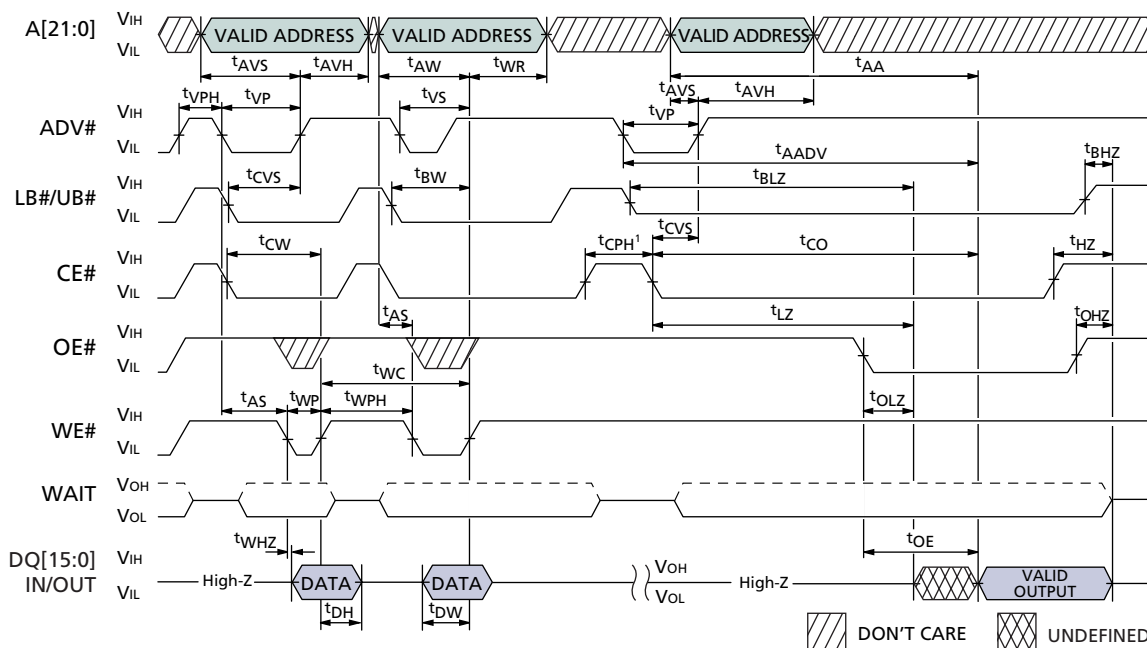
SYMBOL	-70x		-856		UNITS
	MIN	MAX	MIN	MAX	
t_{AA}		70		85	ns
t_{BHZ}		8		8	ns
t_{BLZ}	10		10		ns
t_{CO}		70		85	ns
t_{CPH}	5		5		ns

SYMBOL	-70x		-856		UNITS
	MIN	MAX	MIN	MAX	
t_{HZ}		8		8	ns
t_{LZ}	10		10		ns
t_{OE}		20		20	ns
t_{OHZ}		8		8	ns
t_{OLZ}	5	8	5		ns



4 MEG x 16, 2 MEG x 16
ASYNC/PAGE/BURST CellularRAM MEMORY

Figure 44: Asynchronous WRITE Followed by Asynchronous READ



NOTE:

1. When transitioning between asynchronous cycles, CE# must remain HIGH for at least 5ns (t_{CPH}) to schedule the appropriate internal refresh operation. BCR[15] can be 1 or 0.

Table 47: WRITE Timing Parameters—Async WRITE Followed by Async READ

SYMBOL	-70x		-856		UNITS
	MIN	MAX	MIN	MAX	
t_{AS}	0		0		ns
t_{AVH}	5		5		ns
t_{AVS}	10		10		ns
t_{AW}	70		85		ns
t_{BW}	70		85		ns
t_{CVS}	10		10		ns
t_{CW}	70		85		ns
t_{DH}	0		0		ns
t_{DW}	23		23		ns

SYMBOL	-70x		-856		UNITS
	MIN	MAX	MIN	MAX	
t_{VP}	10		10		ns
t_{VPH}	10		10		ns
t_{VS}	70		85		ns
t_{WC}	70		85		ns
t_{WHZ}		8		8	ns
t_{WP}	46		55		ns
t_{WPH}	10		10		ns
t_{WR}	0		0		ns

Table 48: READ Timing Parameters—Async WRITE Followed by Async READ

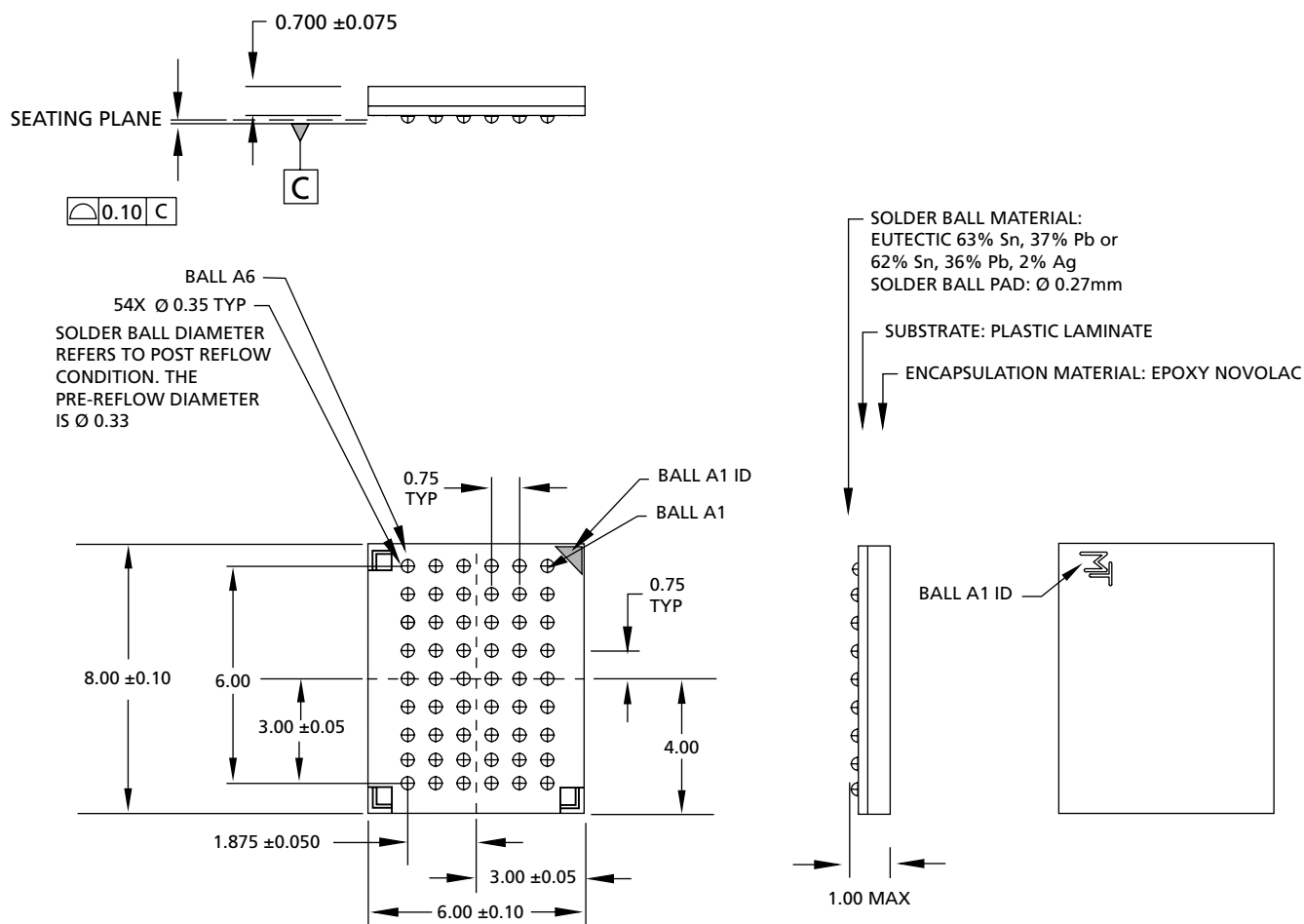
SYMBOL	-70x		-856		UNITS
	MIN	MAX	MIN	MAX	
t_{AA}		70		85	ns
t_{AADV}		70		85	ns
t_{AVH}	5		5		ns
t_{AVS}	10		10		ns
t_{BHZ}		8		8	ns
t_{BLZ}	10		10		ns
t_{CBPH}	5		5		ns
t_{CO}		70		85	ns

SYMBOL	-70x		-856		UNITS
	MIN	MAX	MIN	MAX	
t_{CVS}	10		10		ns
t_{HZ}		8		8	ns
t_{LZ}	10		10		ns
t_{OE}		20		20	ns
t_{OHZ}		8		8	ns
t_{OLZ}	5		5		ns
t_{VP}	10		10		ns



**4 MEG x 16, 2 MEG x 16
ASYNCR/PAGE/BURST CellularRAM MEMORY**

Figure 45: 54-Ball VFBGA



NOTE:

1. All dimensions in millimeters; MAX/MIN, or typical, as noted.
2. Package width and length do not include mold protrusion; allowable mold protrusion is 0.25mm per side.

Data Sheet Designation: PRELIMINARY

This data sheet contains initial characterization limits that are subject to change upon full characterization of production devices.



8000 S. Federal Way, P.O. Box 6, Boise, ID 83707-0006, Tel: 208-368-3900

E-mail: prodmktg@micron.com, Internet: <http://www.micron.com>, Customer Comment Line: 800-932-4992

Micron, and the Micron and M Logos are trademarks and/or service marks of Micron Technology, Inc.

CellularRAM is a trademark of Micron Technology, Inc., inside the U.S. and a trademark of Infineon Technologies outside the U.S.

All other trademarks are the property of their respective owners.



Revision History

Rev. C, Preliminary	5/04
<ul style="list-style-type: none"> • Added software access. • CR WRITE diagram titles updated to reflect WRITES followed by READ <u>ARRAY</u> operation. • Added 80 MHz burst clock (-708). • Changed PAR options to full, one-half, one-quarter, one-eighth, or none. • Corrected Table 4 typo. • Added Note 3 to Fig. 31 and 37. • Added ^tCO to Fig. 43 and Table 46. • Clarified READ/WRITE operating currents. • Added clarifying notes for required refresh opportunity for BCR[15], depending on BCR setting. • Changed ^tCEM MAX to 8. • Updated ICC values and symbols. • Added ADV# timing parameters and ^tCO to Fig. 44 and Table 48. • Clarified CE# LOW time limited by refresh—must not stay LOW longer than ^tCEM. • Aligned ^tACLK, ^tKHTL, ^tABA, and ^tCSP with consortium values. 	<ul style="list-style-type: none"> • Added ^tCEM to Asynchronous WRITE, Page Mode READ Operation, and Burst Mode Operation descriptions and timing diagrams. • Deleted Appendix A (extended timings and all references). • Added -708 timing specifications. • Added CIN and CIO MIN values. • Clarified burst latency at row-boundary crossings. • Replaced Abbreviated Component Marks with Part Numbering chart. • Added measurement time clarification to ISB and IPAR notes • Changed ^tCBPH to ^tCPH for async–async transitions. • Corrected package nomenclature to VFBGA. • Clarified address A[4] and higher in page mode. • Clarified CRE in Figure 14. • Updated tKP to 4ns for the -708, and 5ns for -706 and -856 parts.
Rev. B, Preliminary	12/03
<ul style="list-style-type: none"> • Changed BCR[6] = 0 to “not supported,” and deleted all references to falling clock edges. • Clarified mixed-mode operation. • 104MHz part now “contact factory.” • Changed ^tHD MIN in all speed grades to 2. • Prohibited DPD via software access sequence. • Changed ^tCSP (MIN) to 5ns for -706 and -856 in all burst timing tables (18, 20, 25, 26, 27, 28, 34, 36, 37, 39, 41.) 	<ul style="list-style-type: none"> • Added “and ADV# LOW” to ^tAS in Async WRITE Timing Req. table; added ^tAS as appropriate in Figures 34, 38, 41, 43, and corollary Tables 38, 44, 48. • Added Note 6 to Tables 2 and 3 for Standby Mode, and clarified standby description under Low-Power Operation. • -701 latency code 2 (3 clocks) changed to 66 MHz (15.2ns)
Rev. A, Preliminary	9/03
<ul style="list-style-type: none"> • Added lead-free option. • Differentiated standard and low-power standby and related annotation in/for figures and tables. • CLK in Tables 2 & 3 changed; can be either HIGH or LOW. Data and figures added to cover software access to the configuration registers. 	<ul style="list-style-type: none"> • L, V and -60 now “contact factory.” • Added V & L options. Modified WAIT in bus operations. Indicated wrap factors. • Added -706 part information where applicable. • Removed ^tSP and ^tHD from CE# in Burst diagrams.