

OPEN CIRCUITS

SMA, DC-18 GHz

SPECIFICATIONS:

Models: 7006, 7006C, 7007, 7007C

RoHS
Compliant

AEROFLEX
A passion for performance.

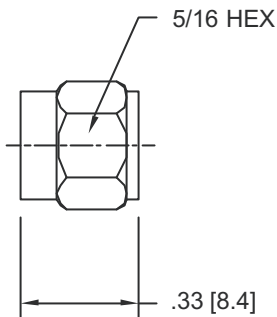
Electrical:

Frequency Range _____ DC - 18 GHz
Reflection _____ 100% Nominal

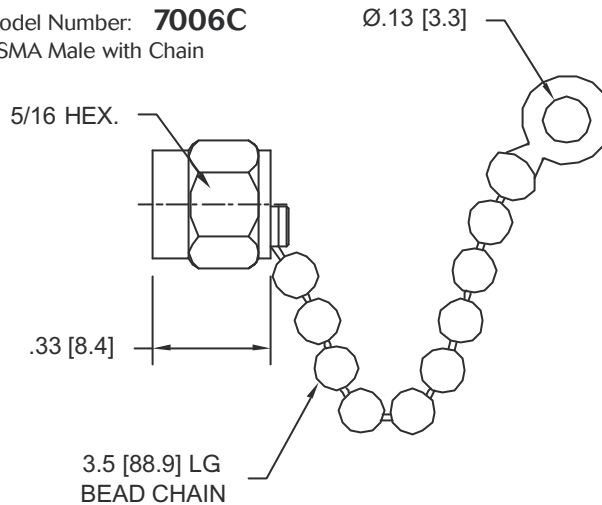
Mechanical:

Connectors _____ Gold Plated Stainless Steel
Mates with MILSTD-348
Conductors _____ Gold Plated Beryllium Copper
Bead Chain _____ Passivated Stainless Steel

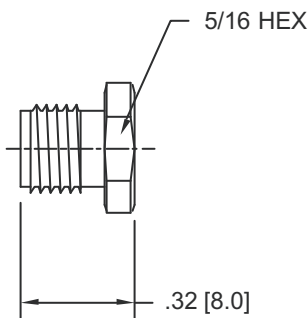
Model Number: **7006**
SMA Male



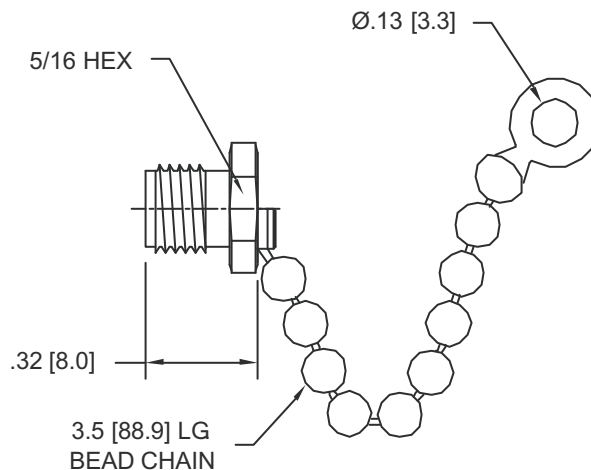
Model Number: **7006C**
SMA Male with Chain



Model Number: **7007**
SMA Female



Model Number: **7007C**
SMA Female with Chain



Note: Dimensions in Brackets are Expressed in Millimeters and are for Reference Only.

7006-OPN: REV G

AEROFLEX
INMET

Aeroflex / Inmet, Inc. • 300 Dino Drive, Ann Arbor, MI 48103 • U.S.A.
888-244-6638 or 734-426-5553 • FAX: 734-426-5557
www.aeroflex.com/inmet • inmet-sales@eroflex.com