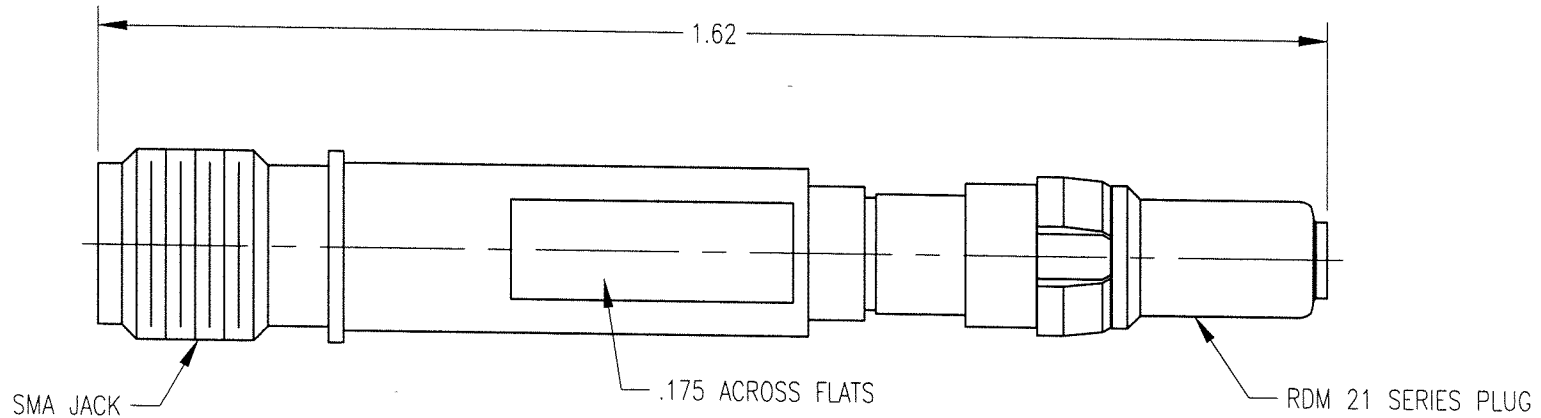


DWG. NO. 210-351-0001G			
REV	DESCRIPTION	BY	APPD
A	ECR 6633	JMC	JED



NOTES:

1. MATERIALS:

- BODIES: BRASS PER ASTM B16
- CONTACT: COPPER ALLOY
- INSULATOR: TEFLON PER ASTM D1710
- CLIP RING: BERYLLIUM COPPER PER ASTM B1194

2. FINISH:

- BODIES AND CONTACT: .000030 MIN. GOLD PER MIL-G-45204 OVER
- .000050 MIN. NICKEL PER QQ-N-290
- CLIP RING: .000100 MIN. NICKEL PER QQ-N-290 OVER COPPER FLASH

PER ASME Y14.5M-1994 UNLESS OTHERWISE SPECIFIED: DIMENSIONS ARE IN INCHES OR INCHES/MM				Litton Winchester Electronics/RETCONN <small>400 Park Road Waterbury, Connecticut 06795</small>	
TOLERANCES: DECIMALS: .xx ± 01/0.254 .xxx ± .005/0.127 ANGLES ± 2° SCALE: 4:1					
CUSTOMER DRAWING				TITLE RDM 21 SERIES PLUG TO SMA JACK ADAPTER	
DRAWN	DATE	CHECKED	DATE	A	SHT. OF REV. 210-351-0001G 1 1 A
KJT	3/29/99	JED	3/29/99		
APPROVED	DATE	APPROVED	DATE		
JMC	3/29/99	JMC	3/29/99		