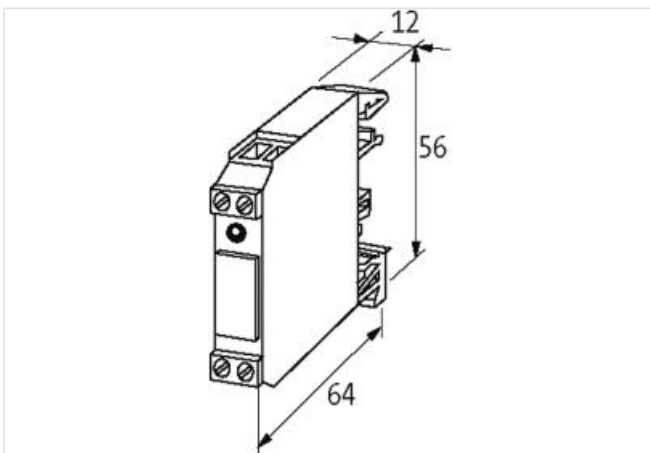
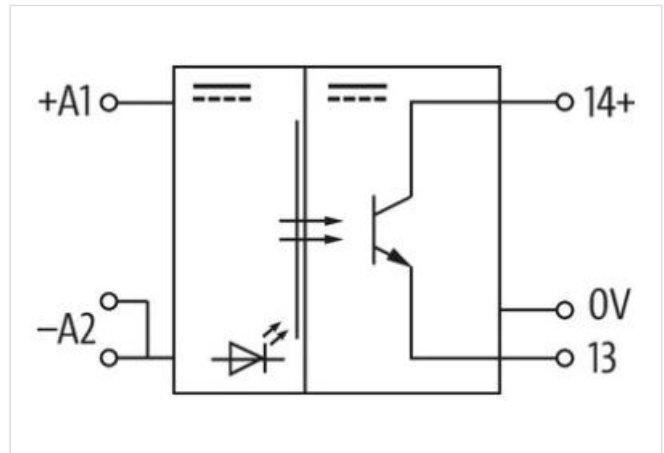


AMIS/10-44/2 OPTO-COUPLER MODULE

IN: 53 VDC - OUT: 35 VDC / 2 A

Transistor 1.2 A
24 V DC[Link to Product](#)**Illustration**

Product may differ from Image

**Commercial data**

ECLASS-6.0	27371604
ECLASS-6.1	27371604
ECLASS-7.0	27371604
ECLASS-8.0	27371604
ECLASS-9.0	27371604
ECLASS-10.1	27371604
ECLASS-11.1	27371604
ECLASS-12.0	27371604

ETIM-5.0	EC001504
customs tariff number	85414900
GTIN	4048879027830
Packaging unit	1
Electrical data Input	
Input voltage OFF DC min.	0 V
Input voltage OFF DC max.	3 V
Input voltage DC min.	10 V
Input voltage DC max.	53 V
Input current	8 mA
Electrical data Output	
Quiescent current OFF max.	0,3 mA
Voltage switching DC min.	4,5 V
Switching voltage DC max.	53 V
Diagnostics	
Status indication LED	red
Device protection Electrical	
Rated insulation voltage	3750 V
Device protection Media	
Flame resistance	flame retardant
Mechanical data Material data	
Color housing	black
Material housing	Plastic
Mechanical data Mounting data	
Mounting method	geschnappt
Suitable for mounting type	Mounting rail TH35, (EN 60715), G32
Height	65 mm
Width	17 mm
Depth	74 mm
Environmental characteristics Climatic	
Operating temperature min.	-20 °C
Operating temperature max.	60 °C