

DS75150 Dual Line Driver

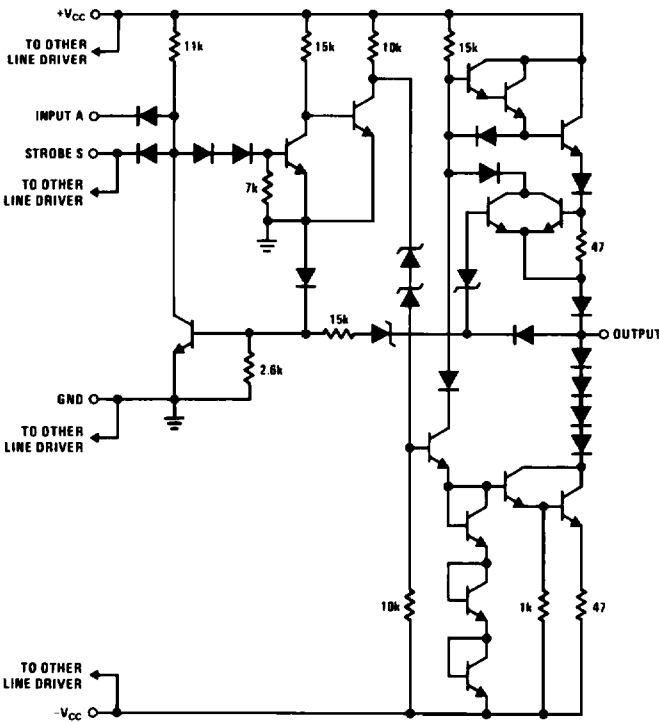
General Description

The DS75150 is a dual monolithic line driver designed to satisfy the requirements of the standard interface between data terminal equipment and data communication equipment as defined by EIA Standard RS-232-C. A rate of 20,000 bits per second can be transmitted with a full 2500 pF load. Other applications are in data-transmission systems using relatively short single lines, in level translators, and for driving MOS devices. The logic input is compatible with most TTL and LS families. Operation is from -12V and $+12\text{V}$ power supplies.

Features

- Withstands sustained output short-circuit to any low impedance voltage between -25V and $+25\text{V}$
- $2\ \mu\text{s}$ max transition time through the -3V to $+3\text{V}$ transition region under full 2500 pF load
- Inputs compatible with most TTL and LS families
- Common strobe input
- Inverting output
- Slew rate can be controlled with an external capacitor at the output
- Standard supply voltages $\pm 12\text{V}$

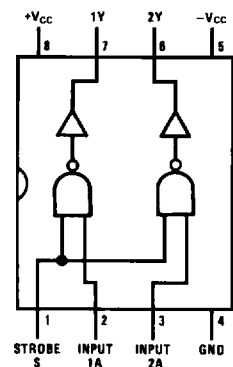
Schematic and Connection Diagrams



TL/F/5784-1

Component values shown are nominal.
1/2 of circuit shown

Dual-In-Line Package



TL/F/5784-2

Top View

 Positive Logic C = \overline{AS}

**Order Number DS75150J-8,
DS75150M or DS75150N
See NS Package Number
J08A, M08A or N08E**