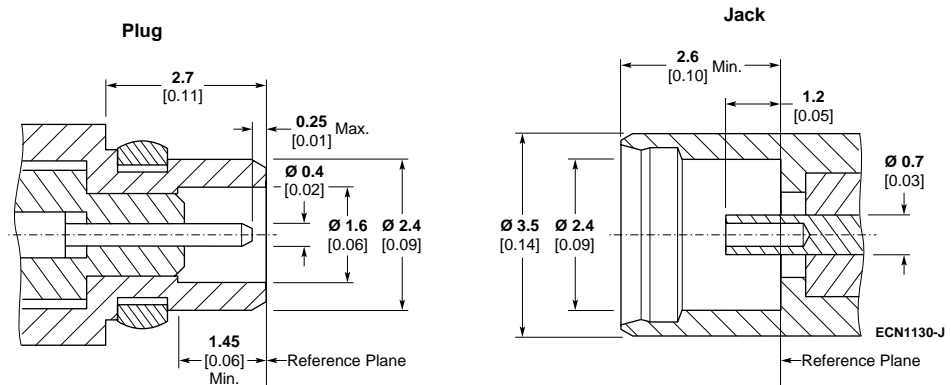


Series MMCX (50 Ohm)

Micro miniature connectors series MMCX (size 0.7/1.6; CECC 22340) are primarily intended for applications where minimum dimensions and space-saving design are required. The connec-

tors are suitable for use up to 6 GHz and are provided with a reliable snap-on coupling. Series MMCX connectors are easy and fast to assemble.

This connector family contains straight and right angled variants for cable or solder connection and SMD connectors for surface mounting technology onto PC boards.



Interface Dimensions

Technical Data

Electrical and mechanical characteristics in accordance with CECC 22340

Characteristic impedance — 50 Ω

Frequency range — up to 6 GHz

Reflection factor¹, referred to —

Flexible cables —
straight connector, $r \leq 0.10$
angle connector, $r \leq 0.15$

Insulation resistance —
initial value $\geq 1 \text{ G}\Omega$
after stressing $\geq 500 \text{ M}\Omega$

Inner conductor contact resistance —
after stressing $\leq 15 \text{ m}\Omega$

Outer conductor continuity —
after stressing $\leq 7.5 \text{ m}\Omega$

Voltage proof (at sea level) —
500 V, 50 Hz

Working voltage (at sea level) —
Flexible cables (RG 178) —
170 V, 50 Hz
Semi-rigid cables (RG 405) —
250 V, 50 Hz

Screening effectiveness² —
 $\geq 60 \text{ dB}$

Engagement (axial force) —
20 N max.

Separation — 6 N min., 20 N max.

Tensile strength of cable clamping device —

RG 178 = 32 N min.
RG 405 = 100 N min.

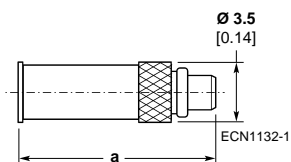
Service life — 500 cycles

Climatic category — 55/155/21

1 Guideline values, depending on cable type and connector style.
2 Straight connector; 1 GHz

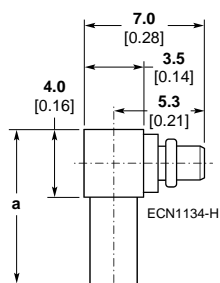
Series MMCX (50 Ohm) (Continued)

Plug, Full Crimp



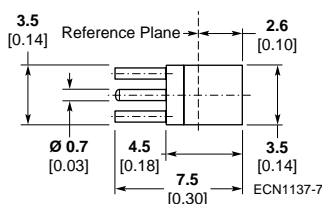
| Cable | Dim a | Ø Max. | Part No. |
|--------|--------------|--------------|-----------|
| RG 405 | 11.5 0.45 | 2.25 0.09 | 1393677-2 |
| RG 178 | 11.5 0.45 | 1.9 0.07 | 1393677-1 |
| RG 196 | 11.5 0.45 | 2.1 0.08 | |
| RG 316 | 15 0.59 | 2.6 0.10 | 1392011-4 |

Right Angle Plug, Solder/Crimp



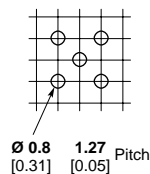
| Cable | Dim a | Ø Max. | Part No. |
|--------|-------------|--------------|-----------|
| RG 405 | 9.0 0.35 | 2.25 0.09 | 1393677-4 |
| RG 178 | 9.0 0.35 | 1.9 0.07 | 1393677-3 |
| RG 196 | 9.0 0.35 | 2.1 0.08 | |
| RG 316 | 11 0.43 | 2.6 0.10 | 1392011-5 |

Vertical PC Board Mount Jack

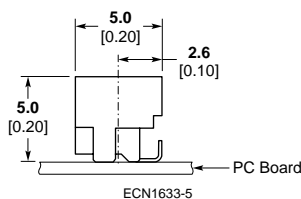


| Part No. |
|-----------|
| 1393677-6 |

Recommended Mounting Holes



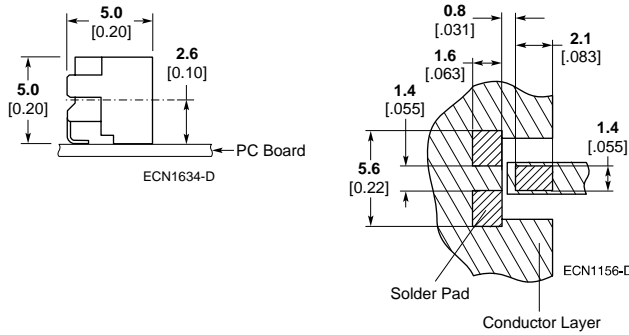
Vertical PC Board Mount SMD Jack



| Part No. |
|-----------|
| 1393757-6 |

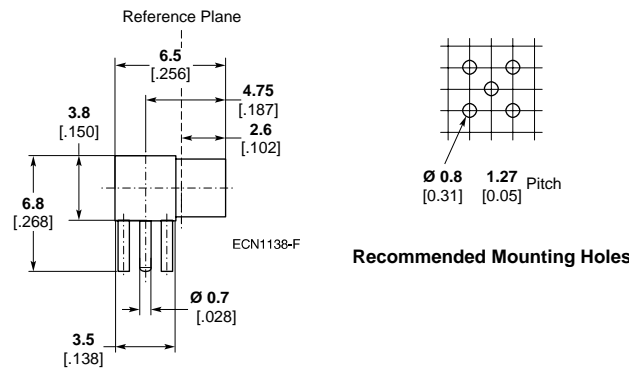
Series MMCX (50 Ohm) (Continued)

**Right Angle PC Board
Mount SMD Jack**

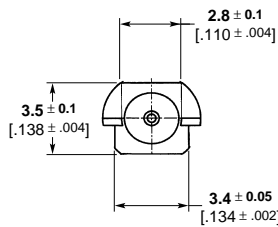


| |
|------------------|
| Part No. |
| 1393757-7 |

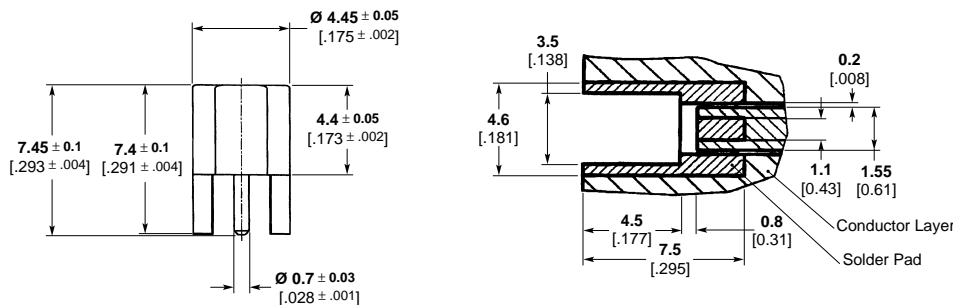
**Right Angle PC Board
Mount Jack**



| |
|------------------|
| Part No. |
| 1392011-3 |



| |
|------------------|
| Part No. |
| 1392028-1 |





Engineering Notes