

ADSL-Transformer WSL-A12.322

Specifications



Application
Generic

Features

Optimized magnetic shielding for low interference
High performance, high quality design
SMT and THT package available

Packaging

100 pcs./tray
7 trays/carton

Solderability

270 - 300°C


Isolation voltage

1875 VAC

Operation Temperature Range

-40°C to +85°C

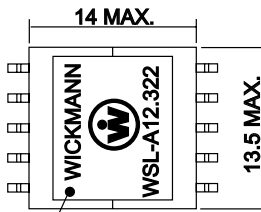
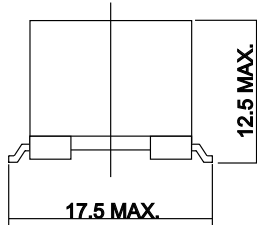
Marking

 article-no.

Unit Weight

6g

Schematics & Mechanicals (mm)



BLACK DOT IS PIN NO.1

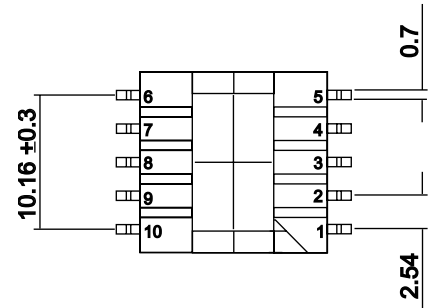
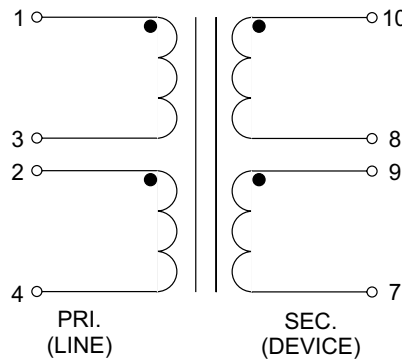
WebLinks

Data Sheet

www.wickmann.com/products/WSL_A12322.pdf

Packaging

www.wickmann.com/pack



DC Resistance	0,575 Ω (1-3) max. ±10% 0,575 Ω (2-4) max. ±10% 0,55 Ω (7-9) max. ±10% 0,55 Ω (8-10) max. ±10%
Open Circuit Inductance	450μH ±10% @ 10kHz, 100mVAC on series, (1-4), short (2+3)
Turns Ratio	1:1:1:1 ±1% (1-3):(2-4):(7-9):(8-10)
Leakage Inductance	15,0μH max. 100kHz, 100mVAC, (1-4), short (2+3, 7+10, 8+9)
Logitudinal Balance	-
Interwinding Capacity	80 pF max. @ 10kHz, 100mVAC, (1-10), short (2+3, 8+9)
Reflects 100Ω @ R _L	-
Insertion Loss	-
Total Harmonic Distortion	-

Order Information

Qty.	Order Number
	960 4 612322 9