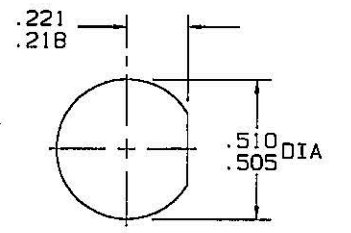
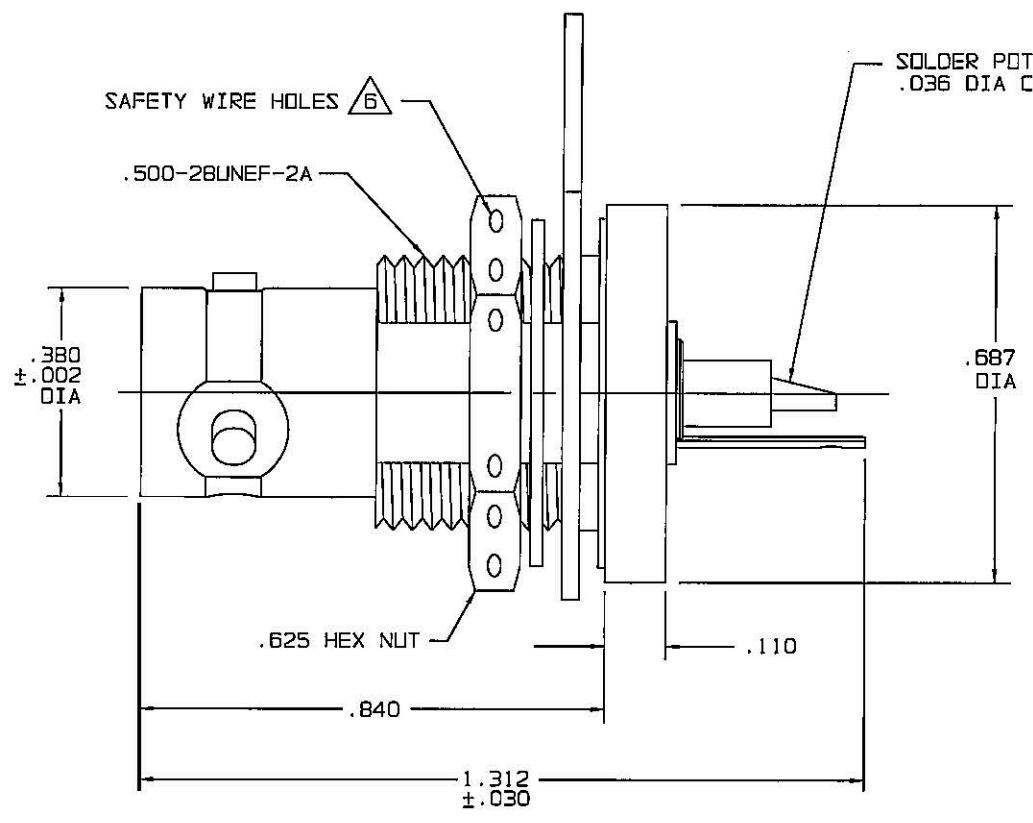
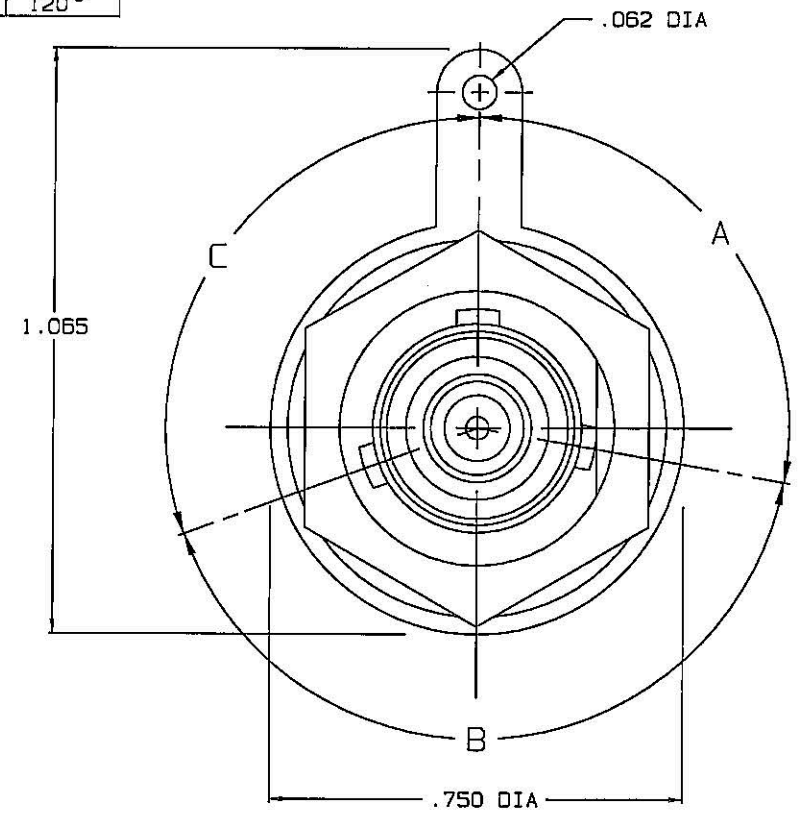


DATA CONTAINED IN THIS DOCUMENT IS PROPRIETARY TO TROMPETER ELECTRONICS INC. AND SHALL NOT BE DISCLOSED, COPIED OR USED FOR PROCUREMENT OR MANUFACTURE WITHOUT EXPRESS WRITTEN PERMISSION OF TROMPETER ELECTRONICS INC.

REVISIONS		3-0128	SH 1
REV	DESCRIPTION	DATE	APPROVED
G	REVISED PER ECO 15465	5-19-04	NM

DASH NO	KEYING LETTER	A DEGREES	B DEGREES	C DEGREES
-1	T	100°	150°	110°
-2	U	120°	130°	110°
-3	V	115°	130°	115°
-4	W	125°	110°	125°
-5	X	130°	100°	130°
-6	Y	110°	140°	110°
-7	Z	100°	160°	100°
-8	S	135°	135°	90°
-9	NONE	120°	120°	120°



RECOMMENDED
PANEL CUTOUT
SCALE: 2/1

△ HEX NUT WITH SAFETY HOLES IS SUPPLIED WHEN SUFFIX "-S" (SAFETY WIRW TYPE) IS REQ'D ONLY

- IF SAFETY WIRE TYPE REQ'D, ADD SUFFIX "-S" TO MODEL NO AND PART NO, (SEE NOTE 7 & 8)
- MAX PANEL THK .240 W/O SOLDER LUG
.208 THK W/ SOLDER LUG
- CONCENTRIC TWINAX/TRIAX TRB
REAR MOUNT SOLDER POT
BULKHEAD RECEPTACLE
- FINISH: NICKEL
- ALL DIM ARE IN INCHES

B. EXAMPLE OF COMPLETE MODEL NO:
 B.76 T-S
 BASIC MODEL NO | SAFETY WIRE TYPE OMIT IF NOT REQ'D | POLARIZATION LETTER (SEE TABLE 1)

INTERPRET DRAWING PER MIL-STD-100 DIMENSIONS ARE IN INCHES AND INCLUDE FINISH THICKNESS UNLESS OTHERWISE SPECIFIED	TOL: UNLESS SPECIFIED .XX ±.01 .XXX ±.005 .XXXX ±.0010 ANGLES ± 0° 30'	
DRAWN: AAH CHECKED: M/Mosh S/14/04 QUALITY: M/Mosh S/14/04 FINISH: M/Mosh S/14/04 APPROVED: M/Mosh S/14/04 CAD FILE NO: 3-0128G	DATE: S-14-04 MATERIAL: TITLE: B.76/T/U/V/W/ X/Y/Z/S/-S	
NEXT ASSY	DO NOT SCALE DWG	SIZE: B CAGE CODE: 14949 DRAWING NO.: 3-0128 DATE: 12/15/87 SHEET: 1C