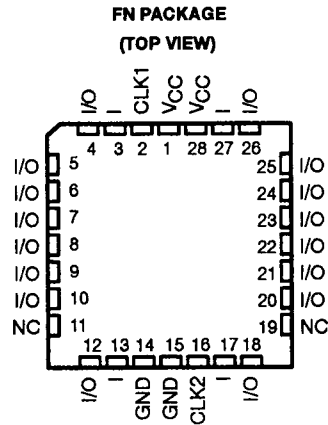
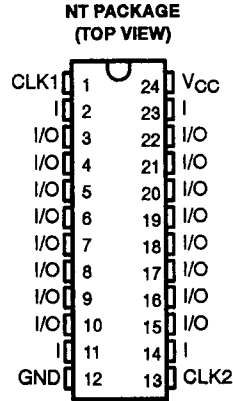


# EP630 SERIES HIGH-PERFORMANCE 16-MACROCELL ONE-TIME PROGRAMMABLE LOGIC DEVICES

SRES001B - D3357, OCTOBER 1989 - REVISED MARCH 1992

- **Programmable Replacement for Conventional TTL and 74HC Devices**
- **Virtually Zero Standby Current**  
Typ 20  $\mu$ A
- **Low Operating Current:**  
I<sub>CC</sub> max (turbo bit on) . . . 90 mA  
I<sub>CC</sub> max (turbo bit off) . . . 10 mA
- **High Performance CMOS Process Allows:**  
Maximum t<sub>pd</sub>: - 15C . . . 15 ns  
                  - 20C . . . 20ns  
                  - 25I . . . 25 ns
- **Asynchronous Clocking of All Registers or Banked Register Operation From 2 Synchronous Clocks**
- **Sixteen Macrocells With Configurable I/O Architecture Allowing for up to 20 Inputs and 16 Outputs**
- **User-Programmable Output Logic Macrocells Provide Flexibility in Output Types with:**  
    **Selectable for Registered or Combinational Operation**  
    **Output Polarity Control**  
    **Independently User Programmable Feedback Path**
- **Programmable Design Security Bit Prevents Copying of Logic Stored in Device**
- **Third-Party Advanced Software Support Featuring Schematic Capture, Interactive Netlist, Boolean Equations, and State Machine Design Entry**



NC—No internal connection

### AVAILABLE OPTIONS

T <sub>A</sub> RANGE	PACKAGE TYPE	
	PLASTIC DUAL-IN-LINE PACKAGE (PDIP)	PLASTIC CHIP CARRIER PACKAGE (PLCC)
0°C to 70°C	EP630-15CNT	EP630-15CFN
-40°C to 85°C	EP630-20CNT	EP630-20CFN
-40°C to 85°C	EP630-25INT	EP630-25IFN

PRODUCTION DATA information is current as of publication date. Products conform to specifications per the terms of Texas Instruments standard warranty. Production processing does not necessarily include testing of all parameters.



POST OFFICE BOX 655303 • DALLAS, TEXAS 75265

Copyright © 1992, Texas Instruments Incorporated

# EP630 SERIES HIGH-PERFORMANCE 16-MACROCELL ONE-TIME PROGRAMMABLE LOGIC DEVICES

SRES001B - D3357, OCTOBER 1989 - REVISED MARCH 1992

---

## description

### general

The Texas Instruments EP630 is capable of implementing over 600 equivalent gates of SSI and MSI logic functions all in plastic and ceramic space-saving 24-pin, 300-mil dual-in-line (DIP) packages and 28-pin chip-carrier packages. It uses the familiar sum-of-products logic, providing a programmable AND with a fixed OR structure. The device accommodates both combinational and sequential (registered) logic functions with up to 20 inputs and 16 outputs. The EP630 has a user programmable output logic macrocell that allows each output to be configured as a combinational or registered output and feedback signals active high or active low.

A unique feature of the EP630 is the ability to program D, T, SR, or JK flip-flop operation individually for each output without sacrificing product terms. In addition, each register can be individually clocked from any of the input or feedback paths available in the AND array. These features allow a variety of logic functions to be simultaneously implemented.

The CMOS EPROM technology reduces the power consumption to less than 55% of equivalent bipolar devices without sacrificing speed performance. Erasable EPROM bits allow for enhanced factory testing.

Programming the EP630 is made easy by the availability of extensive third-party support for design entry, design processing and device programming.

The EP630-15C and EP630-20C devices are characterized for operation from 0°C to 70°C. The EP630-25I is characterized for operation from -40°C to 85°C.

### functional

The EP630 uses a CMOS EPROM technology to implement logic designs in a programmable AND logic array. The device contains a revolutionary programmable I/O architecture that provides advanced functional capability for user programmable logic.

Externally, the EP630 provides 4 dedicated data inputs and 16 I/O pins, which may be configured for input, output, or bidirectional operation. Figure 1 shows the EP630 basic logic array macrocell. The internal architecture is organized with familiar sum-of-products (AND-OR) structure. Inputs to the programmable AND array come from true and complement signals from the 4 dedicated data inputs and the 16 I/O architecture-control blocks. The 40-input AND array encompasses 160 product terms, which are distributed among 16 available macrocells. Each EP630 product term represents a 40-input AND gate.

Each macrocell contains 10 product terms, 8 of which are dedicated for logic implementation. One product term is used for clear control of the macrocell internal register. The remaining product term is used for output enable/asynchronous clock implementation.

There is an EPROM connection at the intersection point of each input signal and each product term. In the erased state, all connections are made. This means both the true and complement forms of all inputs are connected to each product term. Connections are opened during the programming process. Therefore, any product term may be connected to the true or complement form of any array input signal.

When both the true and complement forms of any signal are left intact, a logical false state results on the output of the AND gate. If both the true and complement connections are open, then a logical "don't care" applies for that input. If all inputs for the product term are programmed open, then a logical true state results on the output of the AND gate.

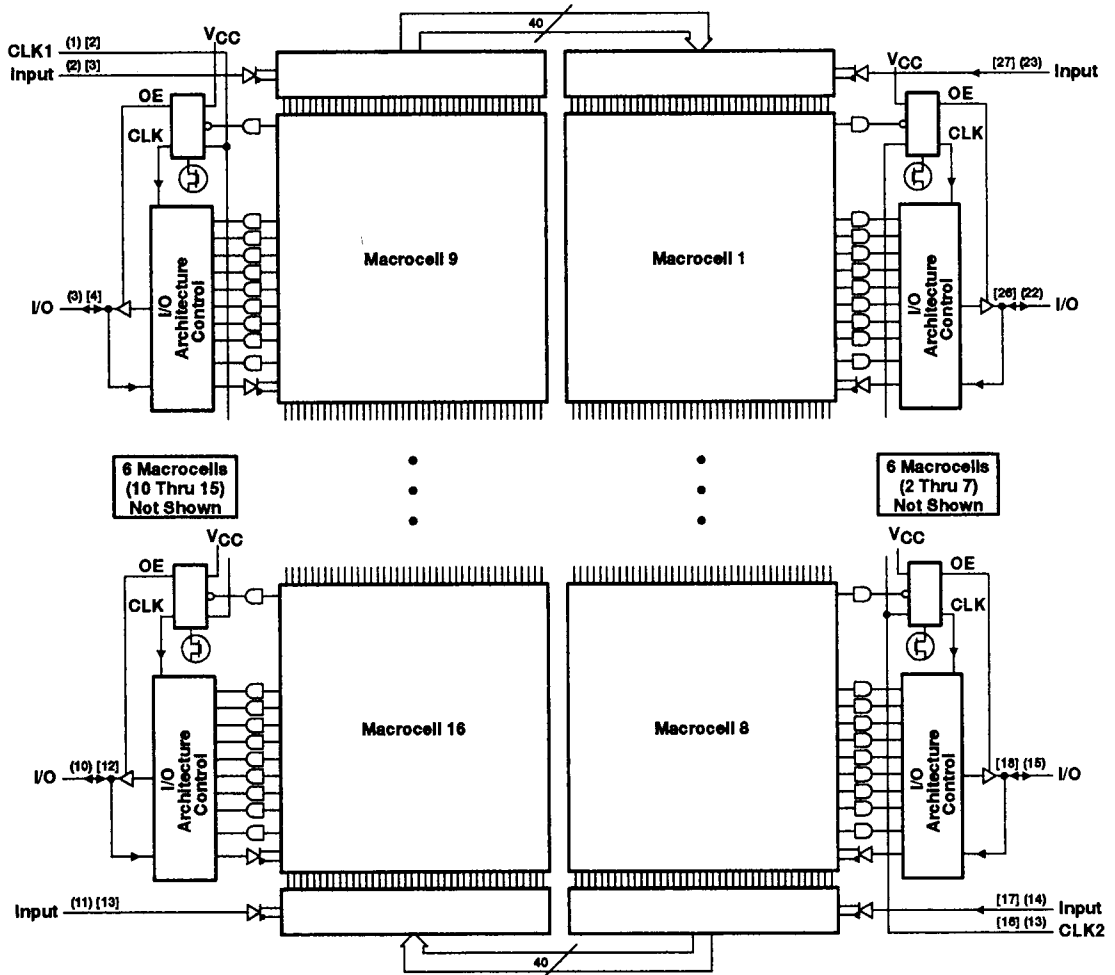
Two dedicated clock inputs provide synchronous clock signals to the EP630 internal registers. Each of the clock signals controls a bank of 8 registers. CLK1 controls registers associated with macrocells 9-16, and CLK2 controls registers associated with macrocells 1-8. The EP630 advanced I/O architecture allows the number of synchronous registers to be user defined, from one to sixteen. Both dedicated clock inputs are positive-edge-triggered.



**EP630 SERIES**  
**HIGH-PERFORMANCE 16-MACROCELL**  
**ONE-TIME PROGRAMMABLE LOGIC DEVICES**

SRES001B - D3357, OCTOBER 1989 - REVISED MARCH 1992

**functional block diagram**



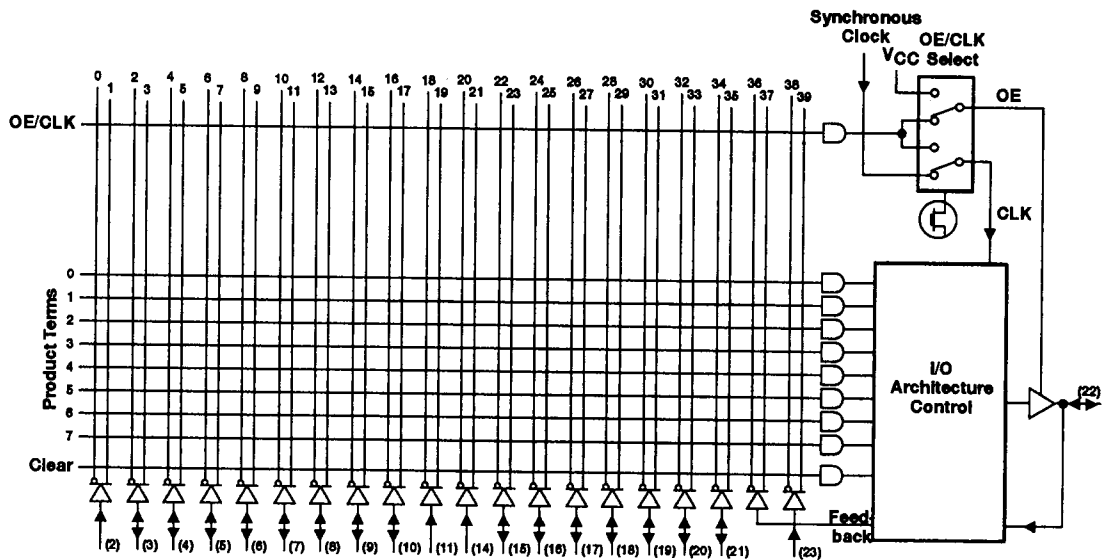
Pin numbers in ( ) are for DIP packages; pin numbers in [ ] are for the chip-carrier package.

**I/O architecture**

The EP630 input/output architecture provides each macrocell with over 50 possible I/O configurations. Each I/O can be configured for combinational or registered output, with programmable output polarity. Four different types of registers (D, T, JK, and SR) can be implemented into every I/O without any additional logic requirements. I/O feedback selection can also be programmed for registered or input (pin) feedback. Another benefit of the EP630 I/O architecture is its ability to individually clock each internal register from asynchronous clock signals.



**EP630 SERIES**  
**HIGH-PERFORMANCE 16-MACROCELL**  
**ONE-TIME PROGRAMMABLE LOGIC DEVICES**  
 SRES001B - D3357, OCTOBER 1989 - REVISED MARCH 1992



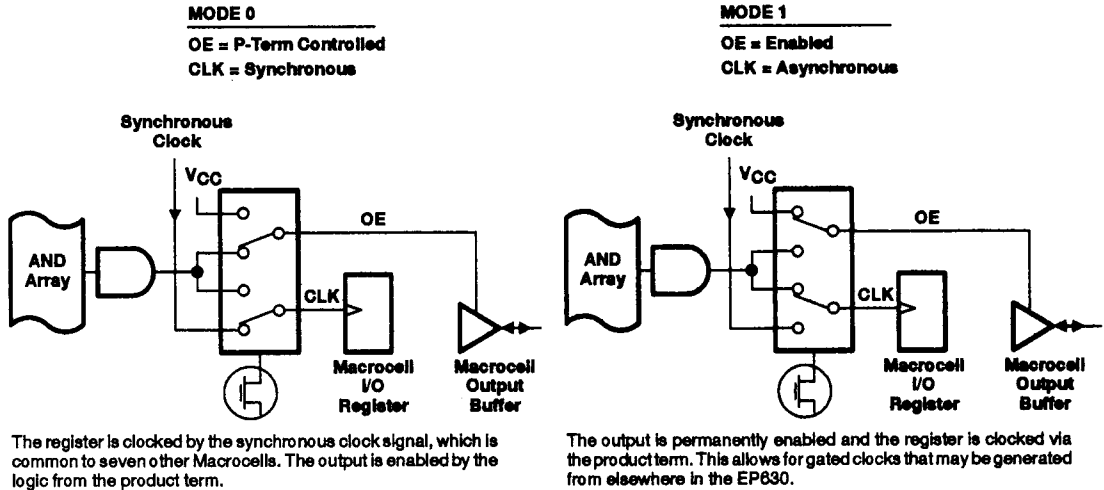
Pin numbers are for the NT package.

**Figure 1. Logic Array Macrocell (Macrocell 1 Illustrated)**

**OE/CLK selection**

Figure 2 shows the two modes of operation that are provided by the OE/CLK select multiplexer. The operation of this multiplexer is controlled by a single EPROM bit and may be individually configured for each EP630 I/O pin. In Mode 0, the 3-state output buffer is controlled by a single product term. If the output of the AND gate is true, the output buffer is enabled. If the output of the AND gate is false, the output buffer is in the high-impedance state. In this mode, the macrocell flip-flop may be clocked by its respective synchronous clock input. After erasure, the OE/CLK select multiplexer is configured in Mode 0.

In Mode 1, the output-enable buffer is always enabled. The macrocell flip-flop may now be triggered from an asynchronous clock signal generated by the OE/CLK multiplexable product term. This mode allows individual clocking of flip-flops from any available signal in the AND array. Because both true and complement signals reside in the AND array, the flip-flop may be configured for positive- or negative-edge-triggered operation. With the clock now controlled by a product term, gated clock structures are also possible.



**Figure 2. OE/CLK Select Multiplexer**

**output/feedback selection**

Figure 3 shows the EP630 basic output configurations. Along with combinational output, four register types are available. Each macrocell I/O may be independently configured. All registers have individual asynchronous clear control from a dedicated product term. When the product term is asserted, the macrocell register will immediately be loaded with a zero independent of the clock. On power-up, The EP630 performs the clear function automatically.

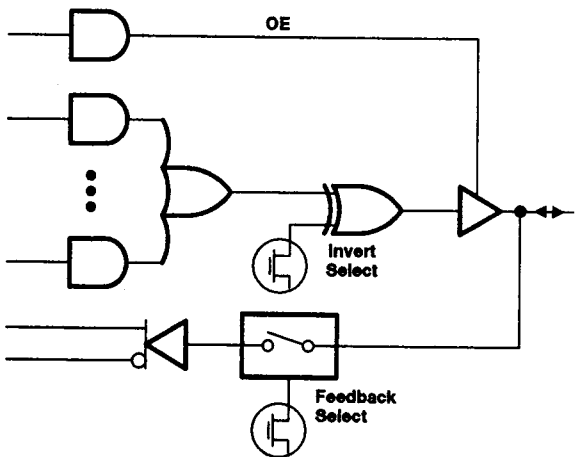
When the D or T register is selected, eight product terms are ORed together and made available to the register input. The invert select EPROM bit determines output polarity. The feedback-select multiplexer enables register, I/O (pin), or no feedback to the AND array.

If the JK or SR registers are selected, the eight product terms are shared between two OR gates. The invert select EPROM bit configures output polarity. The feedback-select multiplexer enables registered or no feedback to the AND array.

Any I/O pin may be configured as a dedicated input by selecting no output and pin feedback. No output is obtained by disabling the macrocell output buffer. In the erased state, each I/O is configured for combinational active-low output with input (pin) feedback.

**EP630 SERIES  
HIGH-PERFORMANCE 16-MACROCELL  
ONE-TIME PROGRAMMABLE LOGIC DEVICES**

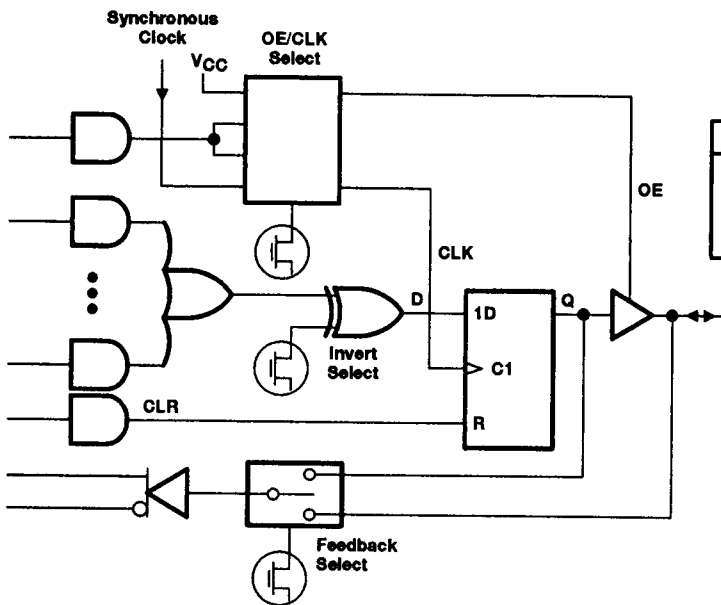
SRES001B - D3357, OCTOBER 1989 - REVISED MARCH 1992



**I/O SELECTION**

OUTPUT/POLARITY	FEEDBACK
Combinational/high	Pin, None
Combinational/low	Pin, None
None	Pin

**(a) COMBINATIONAL**



**I/O SELECTION**

OUTPUT/POLARITY	FEEDBACK
D Register/high	D Register, Pin, None
D Register/low	D Register, Pin, None
None	D Register
None	Pin

**FUNCTION TABLE**

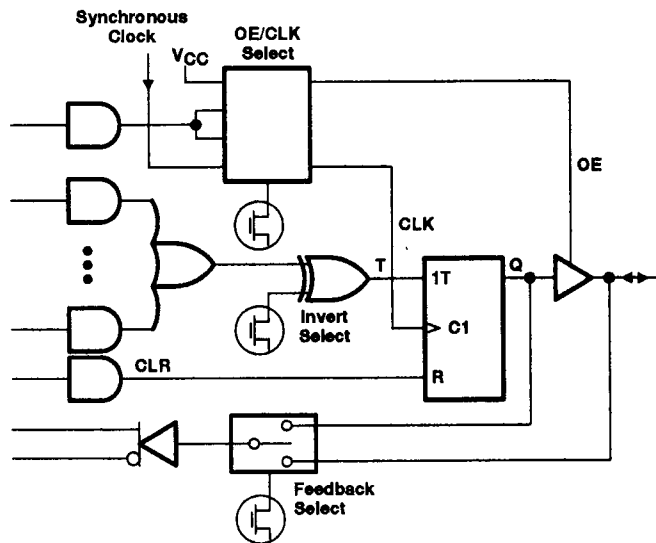
INPUTS			OUTPUT
CLR	CLK	D	Q
L	↑	L	L
L	↑	H	H
L	L	X	Q <sub>0</sub>
H	X	X	L

**(b) D-TYPE FLIP-FLOP**

**Figure 3. I/O Configurations**

**EP630 SERIES**  
**HIGH-PERFORMANCE 16-MACROCELL**  
**ONE-TIME PROGRAMMABLE LOGIC DEVICES**

SRES001B - D3357, OCTOBER 1989 - REVISED MARCH 1992



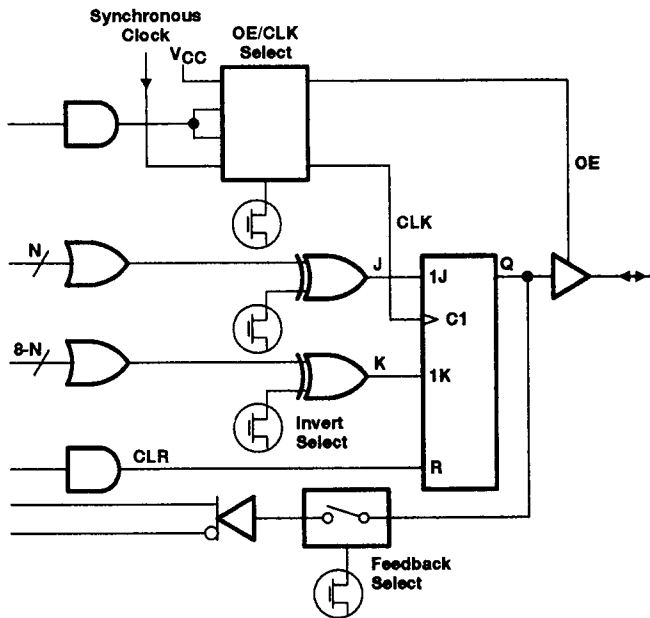
**I/O SELECTION**

OUTPUT/POLARITY	FEEDBACK
T Register/high	T Register, Pin, None
T Register/low	T Register, Pin, None
None	T Register
None	Pin

**FUNCTION TABLE**

INPUTS			OUTPUT
CLR	CLK	T	Q
L	↑	L	Q <sub>0</sub>
L	↑	H	$\bar{Q}_0$
L	L	X	Q <sub>0</sub>
H	X	X	L

(c) TOGGLE FLIP-FLOP



**I/O SELECTION**

OUTPUT/POLARITY	FEEDBACK
JK Register/high	JK Register, None
JK Register/low	JK Register, None
None	JK Register

**FUNCTION TABLE**

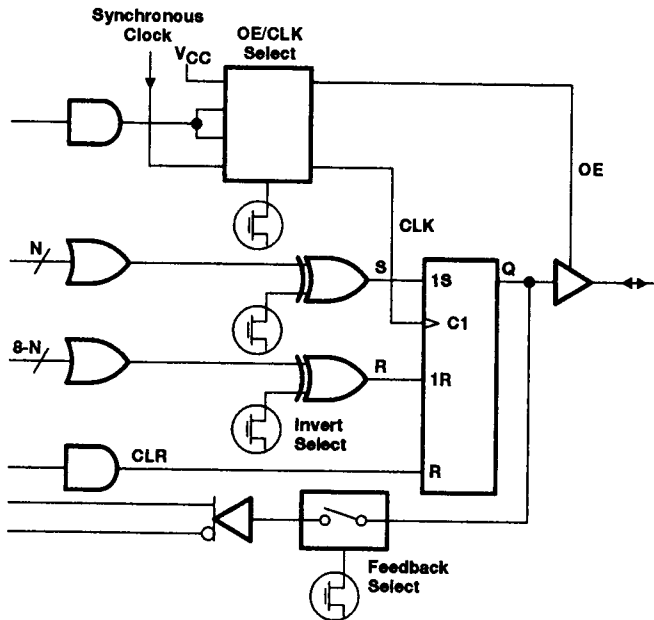
INPUTS				OUTPUT
CLR	CLK	J	K	Q
L	↑	L	L	Q <sub>0</sub>
L	↑	L	H	L
L	↑	H	L	H
L	↑	H	H	$\bar{Q}_0$
L	L	X	X	Q <sub>0</sub>
H	X	X	X	L

(d) J-K FLIP-FLOP

Figure 3. I/O Configurations (Continued)

**EP630 SERIES  
HIGH-PERFORMANCE 16-MACROCELL  
ONE-TIME PROGRAMMABLE LOGIC DEVICES**

SRES001B - D3357, OCTOBER 1989 - REVISED MARCH 1992



**VO SELECTION**

OUTPUT/POLARITY	FEEDBACK
SR Register/high	SR Register, None
SR Register/low	SR Register, None
None	SR Register

**FUNCTION TABLE**

INPUTS				OUTPUT
CLR	CLK	S	R	
L	↑	L	L	Q <sub>O</sub>
L	↑	L	H	L
L	↑	H	L	H
L	↑	H	H	Undefined
L	L	X	X	Q <sub>O</sub>
H	X	X	X	L

(e) S-R FLIP-FLOP

Figure 3. I/O Configurations (Continued)

**absolute maximum ratings over operating free-air temperature range (unless otherwise noted)**

Supply voltage range, V <sub>CC</sub> (see Note 1)	-0.3 V to 7 V
Instantaneous supply voltage range, V <sub>CC</sub> (t ≤ 20 ns)	-2 V to 7 V
Programming supply voltage range, V <sub>pp</sub>	-0.3 V to 14 V
Instantaneous programming supply voltage range, V <sub>pp</sub> (t ≤ 20 ns)	-2 V to 14 V
Input voltage range, V <sub>I</sub>	-0.3 V to 7 V
Instantaneous input voltage range, V <sub>I</sub> (t ≤ 20 ns)	-2 V to 7 V
V <sub>CC</sub> or GND current range	-175 mA to 175 mA
Operating free-air temperature range, T <sub>A</sub>	-65°C to 135°C
Storage temperature range	-65°C to 150°C

NOTE 1: All voltage values are with respect to GND terminal.

**EP630-15C, EP630-20C**  
**HIGH-PERFORMANCE 16-MACROCELL**  
**ONE-TIME PROGRAMMABLE LOGIC DEVICES**

SRES001B - D3357, OCTOBER 1989 - REVISED MARCH 1992

**recommended operating conditions**

		MIN	MAX	UNIT
V <sub>CC</sub>	Supply voltage	4.75	5.25	V
V <sub>I</sub>	Input voltage	0	V <sub>CC</sub>	V
V <sub>IH</sub>	High-level input voltage	2	V <sub>CC</sub> +0.3	V
V <sub>IL</sub>	Low-level input voltage (see Note 2)	-0.3	0.8	V
V <sub>O</sub>	Output voltage	0	V <sub>CC</sub>	V
t <sub>r</sub>	Rise time	CLK input	20	ns
		Other inputs	40	
t <sub>f</sub>	Fall time	CLK input	20	ns
		Other inputs	40	
T <sub>A</sub>	Operating free-air temperature	0	70	°C

NOTE 2: The algebraic convention, in which the more negative value is designated minimum, is used in this data sheet for logic voltage levels only.

**electrical characteristics over recommended operating free-air temperature range (unless otherwise noted)**

PARAMETER		TEST CONDITIONS		MIN	MAX	UNIT
V <sub>OH</sub>	High-level output voltage	TTL	V <sub>CC</sub> = 4.75 V, I <sub>OH</sub> = -4 mA	2.4		V
		CMOS	V <sub>CC</sub> = 4.75 V, I <sub>OH</sub> = -2 mA	3.84		
V <sub>OL</sub>	Low-level output voltage		V <sub>CC</sub> = 4.75 V, I <sub>OL</sub> = 4 mA		0.45	V
I <sub>I</sub>	Input current		V <sub>CC</sub> = 5.25 V, V <sub>I</sub> = V <sub>CC</sub> or GND		±10	μA
I <sub>OZ</sub>	Off-state output current		V <sub>CC</sub> = 5.25 V, V <sub>O</sub> = V <sub>CC</sub> or GND		±10	μA
I <sub>CC</sub>	Supply current	Standby	V <sub>CC</sub> = 5.25 V, See Note 3		150	μA
		Nonturbo	V <sub>I</sub> = V <sub>CC</sub> or GND, See Note 4		10	
		Turbo	No load, See Note 4		90	
C <sub>i</sub>	Input capacitance		V <sub>I</sub> = 0, f = 1 MHz, T <sub>A</sub> = 25°C		10	pF
C <sub>o</sub>	Output capacitance		V <sub>O</sub> = 0, f = 1 MHz, T <sub>A</sub> = 25°C		12	pF
C <sub>clk</sub>	Clock capacitance		V <sub>I</sub> = 0, f = 1 MHz, T <sub>A</sub> = 25°C		20	pF

NOTES: 3. When in nonturbo, the device automatically goes into the standby mode approximately 100 ns after the last transition.

4. These parameters are measured with the device programmed as a 16-bit counter and f = 1 MHz.



**EP630-15C, EP630-20C**  
**HIGH-PERFORMANCE 16-MACROCELL**  
**ONE-TIME PROGRAMMABLE LOGIC DEVICES**

SRES001B – D3357, OCTOBER 1989 – REVISED MARCH 1992

switching characteristics over recommended ranges of supply voltage and operating free air temperature (unless otherwise noted)

combinational mode, turbo bit on

PARAMETER†		TEST CONDITIONS	EP630-15C		EP630-20C		UNIT
			MIN	MAX	MIN	MAX	
t <sub>pd1</sub>	Input to nonregistered output delay	C <sub>L</sub> = 35 pF	15		20		ns
t <sub>pd2</sub>	I/O input to nonregistered output delay		17		22		ns
t <sub>pZX</sub>	Output enable time	C <sub>L</sub> = 35 pF	15		20		ns
t <sub>pXZ</sub>	Output disable time	C <sub>L</sub> = 5 pF	15		20		ns
t <sub>io</sub>	I/O input buffer delay		2		2		ns

combinational mode, turbo bit off

PARAMETER†		TEST CONDITIONS	EP630-15C		EP630-20C		UNIT
			MIN	MAX	MIN	MAX	
t <sub>pd1</sub>	Input to nonregistered output delay	C <sub>L</sub> = 35 pF	35		40		ns
t <sub>pd2</sub>	I/O input to nonregistered output delay		37		42		ns
t <sub>pZX</sub>	Output enable time	C <sub>L</sub> = 35 pF	35		40		ns
t <sub>pXZ</sub>	Output disable time	C <sub>L</sub> = 5 pF	35		40		ns
t <sub>io</sub>	I/O input buffer delay		2		2		ns

synchronous clock mode, mode 0

PARAMETER†		TEST CONDITIONS	EP630-15C		EP630-20C		UNIT
			MIN	MAX	MIN	MAX	
f <sub>max</sub>	Maximum frequency‡	No feedback	83.3		62.5		MHz
		Internal feedback	83.3		62.5		
		External feedback§	50		41.6		
t <sub>co1</sub>	Clock to output delay time		11		13		ns
t <sub>cnt</sub>	Minimum clock period (register feedback to register output)	See Note 6	12		16		ns
t <sub>clr</sub>	Asynchronous output clear time	Turbo bit on	15		20		ns
		Turbo bit off	35		40		

† Letter symbols for switching characteristics and timing requirements in this data sheet have been chosen for compatibility with those used in other documentation previously prepared by another supplier for similar products. Any similarity to symbols used on other TI data sheets or to those shown in glossaries in TI data books is coincidental. The meanings may not be the same.

$$‡ f_{max} \text{ with no feedback} = \frac{1}{t_{ch} + t_{cl}}$$

$$f_{max} \text{ with internal feedback} = \frac{1}{t_{cnt}}$$

$$f_{max} \text{ with external feedback} = \frac{1}{t_{su} + t_{co1}}$$

f<sub>max</sub> with internal feedback is programmed as a 16-bit counter.

§ Use t<sub>su</sub> and t<sub>co1</sub> for a device programmed with the turbo bit on.

NOTES: 5. This is for an output voltage change of 500 mV.

6. These parameters are measured with device programmed as a 16-bit counter.



**EP630-15C, EP630-20C**  
**HIGH-PERFORMANCE 16-MACROCELL**  
**ONE-TIME PROGRAMMABLE LOGIC DEVICES**

SRES001B - D3357, OCTOBER 1989 - REVISED MARCH 1992

**switching characteristics over recommended ranges of supply voltage and operating free air temperature (unless otherwise noted)**

**asynchronous clock mode, mode 1**

PARAMETER†		TEST CONDITIONS	EP630-15C		EP630-20C		UNIT
			MIN	MAX	MIN	MAX	
t <sub>max</sub>	Maximum frequency‡	No feedback	71.4		55.5		MHz
		Internal feedback	71.4		55.5		
		External feedback§	47.6		35.7		
t <sub>aco1</sub>	Clock to output delay time	Turbo bit on		15		20	ns
		Turbo bit off		35		40	
t <sub>acnt</sub>	Minimum clock period (register feedback to register output)			14		18	ns
t <sub>clr</sub>	Asynchronous output clear time	Turbo bit on		15		20	ns
		Turbo bit off		35		40	

**timing requirements over recommended ranges of supply voltage and free-air temperature**

**synchronous clock mode, mode 0**

PARAMETER†			EP630-15C		EP630-20C		UNIT
			MIN	MAX	MIN	MAX	
t <sub>su</sub>	Input setup time	Turbo bit on	9		11		ns
		Turbo bit off	29		31		
t <sub>h</sub>	Input hold time		0		0		ns
t <sub>ch</sub>	Clock high pulse duration		6		8		ns
t <sub>cl</sub>	Clock low pulse duration		6		8		ns

**asynchronous clock mode, mode 1**

PARAMETER†			EP630-15C		EP630-20C		UNIT
			MIN	MAX	MIN	MAX	
t <sub>asu</sub>	Input setup time	Turbo bit on	6		8		ns
		Turbo bit off	26		28		
t <sub>ah</sub>	Input hold time		6		8		ns
t <sub>ach</sub>	Clock high pulse duration		7		9		ns
t <sub>acl</sub>	Clock low pulse duration		7		9		ns

† Letter symbols for switching characteristics and timing requirements in this data sheet have been chosen for compatibility with those used in other documentation previously prepared by another supplier for similar products. Any similarity to symbols used on other TI data sheets or to those shown in glossaries in TI data books is coincidental. The meanings may not be the same.

$$† f_{max} \text{ with no feedback} = \frac{1}{t_{ach} + t_{acl}}$$

$$f_{max} \text{ with internal feedback} = \frac{1}{t_{acnt}}$$

$$f_{max} \text{ with external feedback} = \frac{1}{t_{asu} + t_{aco1}}$$

‡ f<sub>max</sub> with internal feedback is programmed as a 16-bit counter.

§ Use t<sub>su</sub> and t<sub>co1</sub> for a device programmed with the turbo bit on.



**EP630-251**  
**HIGH-PERFORMANCE 16-MACROCELL**  
**ONE-TIME PROGRAMMABLE LOGIC DEVICE**

SRES001B – D3357, OCTOBER 1988 – REVISED MARCH 1992

**recommended operating conditions**

		MIN	MAX	UNIT
V <sub>CC</sub>	Supply voltage	4.5	5.5	V
V <sub>I</sub>	Input voltage	0	V <sub>CC</sub>	V
V <sub>IH</sub>	High-level input voltage	2	V <sub>CC</sub> +0.3	V
V <sub>IL</sub>	Low-level input voltage (see Note 2)	-0.3	0.8	V
V <sub>O</sub>	Output voltage	0	V <sub>CC</sub>	V
t <sub>r</sub>	Rise time	CLK input	20	ns
		Other inputs	40	
t <sub>f</sub>	Fall time	CLK input	20	ns
		Other inputs	40	
T <sub>A</sub>	Operating free-air temperature	-40	85	°C

NOTE 2: The algebraic convention, in which the more negative value is designated minimum, is used in this data sheet for logic voltage levels only.

**electrical characteristics over recommended operating free-air temperature range (unless otherwise noted)**

PARAMETER		TEST CONDITIONS		MIN	MAX	UNIT
V <sub>OH</sub>	High-level output voltage	TTL	V <sub>CC</sub> = 4.5 V, I <sub>OH</sub> = -4 mA	2.4		V
		CMOS	V <sub>CC</sub> = 4.5 V, I <sub>OH</sub> = -2 mA	3.84		
V <sub>OL</sub>	Low-level output voltage		V <sub>CC</sub> = 4.5 V, I <sub>OL</sub> = 4 mA		0.45	V
I <sub>I</sub>	Input current		V <sub>CC</sub> = 5.5 V, V <sub>I</sub> = V <sub>CC</sub> or GND		±10	µA
I <sub>OZ</sub>	Off-state output current		V <sub>CC</sub> = 5.5 V, V <sub>O</sub> = V <sub>CC</sub> or GND		±10	µA
I <sub>CC</sub>	Supply current	Standby	V <sub>CC</sub> = 5.5 V, See Note 3		150	µA
		Nonturbo	V <sub>I</sub> = V <sub>CC</sub> or GND, See Note 4		15	
		Turbo	No load, See Note 4		150	
C <sub>i</sub>	Input capacitance		V <sub>I</sub> = 0, f = 1 MHz, T <sub>A</sub> = 25°C		10	pF
C <sub>o</sub>	Output capacitance		V <sub>O</sub> = 0, f = 1 MHz, T <sub>A</sub> = 25°C		12	pF
C <sub>clk</sub>	Clock capacitance		V <sub>I</sub> = 0, f = 1 MHz, T <sub>A</sub> = 25°C		20	pF

NOTES: 3. When in nonturbo, the device automatically goes into the standby mode approximately 100 ns after the last transition.  
 4. These parameters are measured with the device programmed as a 16-bit counter and f = 1 MHz.



POST OFFICE BOX 655303 • DALLAS, TEXAS 75265

switching characteristics over recommended ranges of supply voltage and operating free air temperature (unless otherwise noted)

**combinational mode, turbo bit on**

PARAMETER †		TEST CONDITIONS	MIN	MAX	UNIT
t <sub>pd1</sub>	Input to nonregistered output delay	C <sub>L</sub> = 35 pF		25	ns
t <sub>pd2</sub>	I/O input to nonregistered output delay			27	ns
t <sub>pZX</sub>	Output enable time	C <sub>L</sub> = 35 pF	See Note 5	25	ns
t <sub>pXZ</sub>	Output disable time	C <sub>L</sub> = 5 pF		25	ns
t <sub>io</sub>	I/O input buffer delay			2	ns

**combinational mode, turbo bit off**

PARAMETER †		TEST CONDITIONS	MIN	MAX	UNIT
t <sub>pd1</sub>	Input to nonregistered output delay	C <sub>L</sub> = 35 pF		45	ns
t <sub>pd2</sub>	I/O input to nonregistered output delay			47	ns
t <sub>pZX</sub>	Output enable time	C <sub>L</sub> = 35 pF	See Note 5	45	ns
t <sub>pXZ</sub>	Output disable time	C <sub>L</sub> = 5 pF		45	ns
t <sub>io</sub>	I/O input buffer delay			2	ns

**synchronous clock mode, mode 0**

PARAMETER †		TEST CONDITIONS	MIN	MAX	UNIT
f <sub>max</sub>	Maximum frequency ‡	No feedback		50	MHz
		Internal feedback		50	
		External feedback §		33.3	
t <sub>co1</sub>	Clock to output delay time			15	ns
t <sub>cnt</sub>	Minimum clock period (register feedback to register output)	See Note 6		25	ns
t <sub>clr</sub>	Asynchronous output clear time	Turbo bit on	C <sub>L</sub> = 35 pF	27	ns
		Turbo bit off		47	

† Letter symbols for switching characteristics and timing requirements in this data sheet have been chosen for compatibility with those used in other documentation previously prepared by another supplier for similar products. Any similarity to symbols used on other TI data sheets or to those shown in glossaries in TI data books is coincidental. The meanings may not be the same.

$$‡ f_{max} \text{ with no feedback} = \frac{1}{t_{ch} + t_{cl}}$$

$$f_{max} \text{ with internal feedback} = \frac{1}{t_{cnt}}$$

$$f_{max} \text{ with external feedback} = \frac{1}{t_{su} + t_{co1}}$$

f<sub>max</sub> with internal feedback is programmed as a 16-bit counter.

§ Use t<sub>su</sub> and t<sub>co1</sub> for a device programmed with the turbo bit on.

NOTES: 5. This is for an output voltage change of 500 mV.

6. These parameters are measured with device programmed as a 16-bit counter.

**EP630-251**  
**HIGH-PERFORMANCE 16-MACROCELL**  
**ONE-TIME PROGRAMMABLE LOGIC DEVICE**

SRES001B – D3357, OCTOBER 1989 – REVISED MARCH 1992

switching characteristics over recommended ranges of supply voltage and operating free air temperature (unless otherwise noted)

**asynchronous clock mode, mode 1**

PARAMETER †		TEST CONDITIONS	MIN	MAX	UNIT
f <sub>max</sub>	Maximum frequency ‡	No feedback	50		MHz
		Internal feedback	50		
		External feedback §	28.6		
t <sub>aco1</sub>	Clock to output delay time	Turbo bit on		27	ns
		Turbo bit off		47	
t <sub>acnt</sub>	Minimum clock period (register feedback to register output)			35	ns
t <sub>clr</sub>	Asynchronous output clear time	Turbo bit on		27	ns
		Turbo bit off		47	

timing requirements over recommended ranges of supply voltage and free-air temperature

**synchronous clock mode, mode 0**

PARAMETER †		MIN	MAX	UNIT
t <sub>su</sub>	Input setup time	Turbo bit on	15	ns
		Turbo bit off	35	
t <sub>h</sub>	Input hold time	0		ns
t <sub>ch</sub>	Clock high pulse duration	10		ns
t <sub>cl</sub>	Clock low pulse duration	10		ns

**asynchronous clock mode, mode 1**

PARAMETER †		MIN	MAX	UNIT
t <sub>asu</sub>	Input setup time	Turbo bit on	8	ns
		Turbo bit off	28	
t <sub>ah</sub>	Input hold time	12		ns
t <sub>ach</sub>	Clock high pulse duration	10		ns
t <sub>acl</sub>	Clock low pulse duration	10		ns

† Letter symbols for switching characteristics and timing requirements in this data sheet have been chosen for compatibility with those used in other documentation previously prepared by another supplier for similar products. Any similarity to symbols used on other TI data sheets or to those shown in glossaries in TI data books is coincidental. The meanings may not be the same.

$$‡ f_{max} \text{ with no feedback} = \frac{1}{t_{ach} + t_{acl}}$$

$$f_{max} \text{ with internal feedback} = \frac{1}{t_{acnt}}$$

$$f_{max} \text{ with external feedback} = \frac{1}{t_{asu} + t_{aco1}}$$

f<sub>max</sub> with internal feedback is programmed as a 16-bit counter.

§ Use t<sub>su</sub> and t<sub>co1</sub> for a device programmed with the turbo bit on.



## functional testing

The EP630 is functionally tested through complete testing of each programmable EPROM bit and all internal logic elements, thus ensuring 100% programming yield. As a result, traditional problems associated with fuse programmed circuits are eliminated.

## design security

The EP630 contains a programmable design security feature that controls the access to the data programmed into the device. If this programmable feature is used, a proprietary design implemented in the device cannot be copied nor retrieved. A very high level of design control is thus achieved since programmed data within EPROM cells is invisible.

## turbo bit

This family of EPLDs contains a programmable option to control the automatic power-down feature that enables the low-standby-power mode of the device. This option is controlled by a turbo bit that can be set by the design software. When the turbo bit is on, the low-standby-power mode is disabled. This renders the circuit less sensitive to  $V_{CC}$  noise transients created by the power-up/power-down cycle when operating in the low-power mode. The typical  $I_{CC}$  versus frequency data for both the turbo-bit-on mode and the turbo-bit-off (low-power) mode is shown in Figure 5. All dynamic parameters are tested with the turbo bit on.

## latch-up

The EP630 input, I/O, and clock pins have been carefully designed to resist latch-up which is inherent in CMOS structures. None of the EP630 pins will latch up for input voltages between  $-1$  V to  $V_{CC} + 1$  V with currents up to 250 mA. During transitions, the inputs may undershoot to  $-2$  V for periods of less than 20 ns.

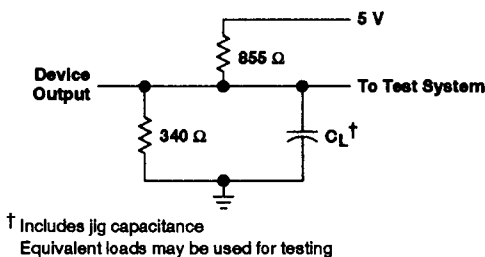
Although the programming pin (pin 11) is designed to resist latch-up to the 14 V device limit during positive current latch-up testing, the verify mode (pin 1) and program mode (pin 11) can be inadvertently entered into thereby causing current flow in the pins. This should not be construed as latch-up.

## device programming

The EP630 can be programmed using certified third-party programming equipment. Please contact Texas Instruments applications department at (214) 997-5666 for current status of third-party programming support.

---

## PARAMETER MEASUREMENT INFORMATION



This figure shows the test circuit and the conditions under which dynamic measurements are made. Because power supply transients can affect dynamic measurements, simultaneous transitions of multiple outputs should be avoided to ensure accurate measurement. The performance of threshold tests under dynamic conditions should not be attempted. Large-amplitude fast ground-current transients normally occur as the device outputs discharge the load capacitances. These transients flowing through the parasitic inductance between the device ground terminal and the test-system ground can create significant reductions in the observable input noise immunity.

**Figure 4. Dynamic Test Circuit**

**TYPICAL CHARACTERISTICS**

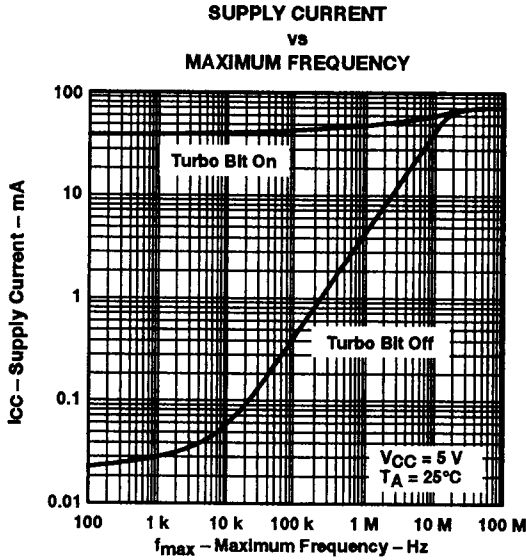


Figure 5

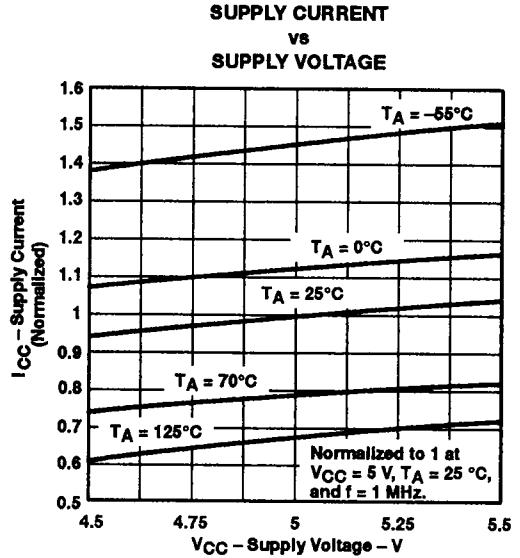


Figure 6

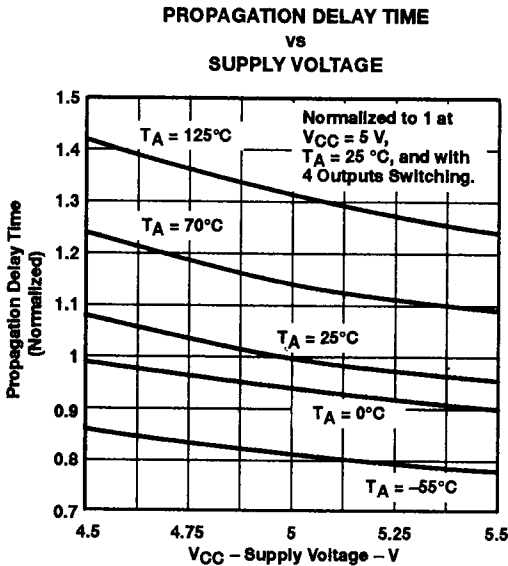


Figure 7

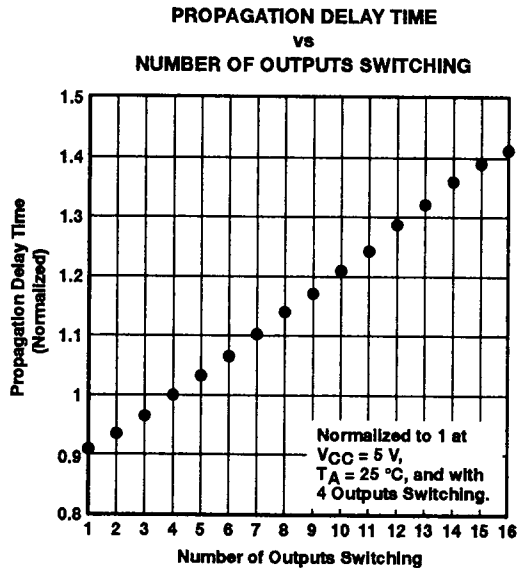
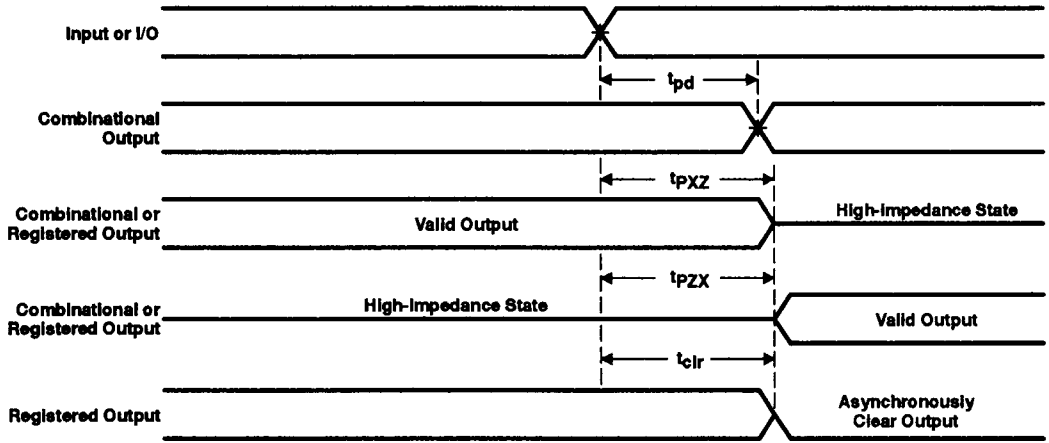


Figure 8

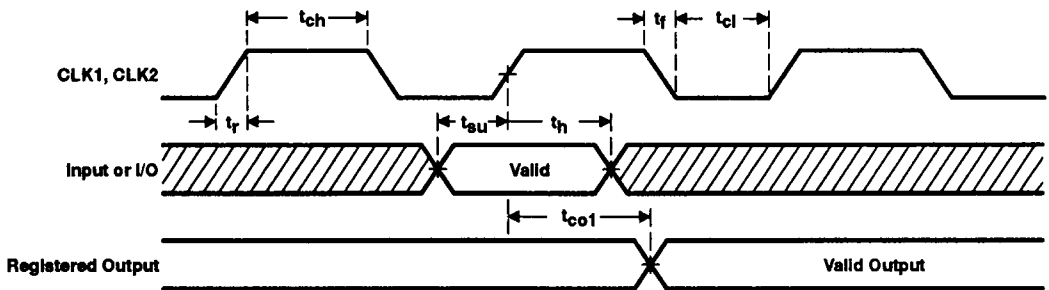
**EP630 SERIES**  
**HIGH-PERFORMANCE 16-MACROCELL**  
**ONE-TIME PROGRAMMABLE LOGIC DEVICES**

SRES001B - D3357, OCTOBER 1989 - REVISED MARCH 1992

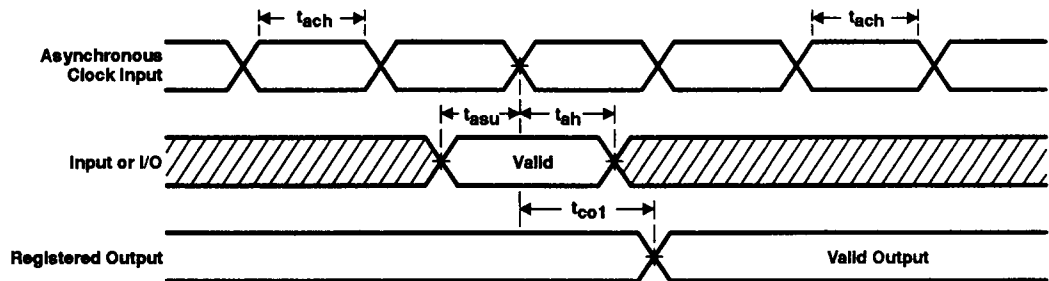
**PARAMETER MEASUREMENT INFORMATION**



(a) COMBINATIONAL MODE



(b) SYNCHRONOUS CLOCK MODE



(c) ASYNCHRONOUS CLOCK MODE

NOTES: A. Input and I/O pulse levels are 0 to 3 V and  $t_r = t_f \leq 2$  ns.

B. All measurements are made at 1.5 V except  $t_{cl}$  and  $t_{ch}$  are measured at 0.3 V and 2.7 V respectively and  $t_{pXZ}$  and  $t_{pXZ}$  are measured for an output voltage change of 500 mV.

**Figure 9. Switching Waveforms**

