

THIS DRAWING IS UNPUBLISHED.

RELEASED FOR PUBLICATION

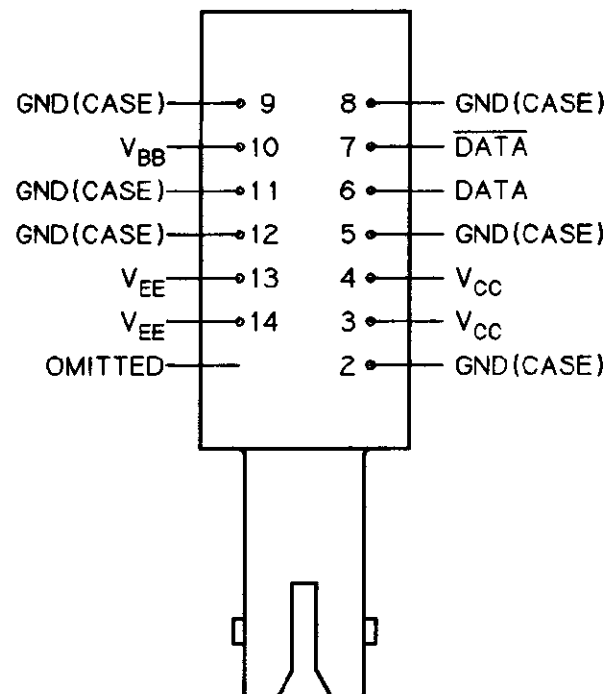
19

© COPYRIGHT 19

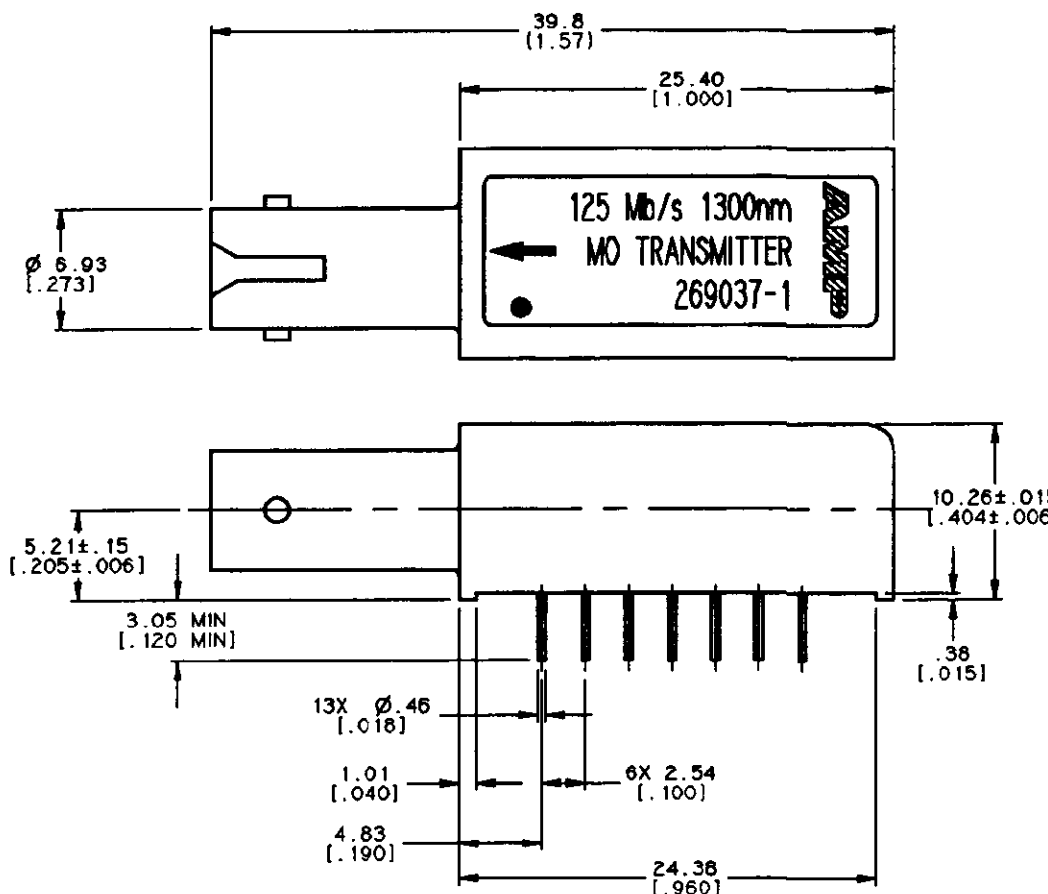
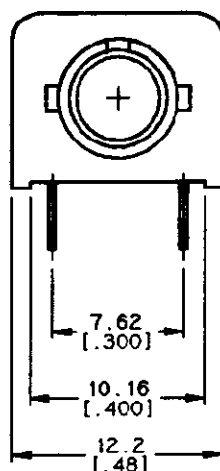
BY AMP INCORPORATED. ALL RIGHTS RESERVED.

LOC DR DIST 01

REVISIONS					
P	LTR	DESCRIPTION	DATE	DWN	APVD
B		EC-0550-3550-94	11OCT94	T.G.	M.M.
C		EC-0A50-0357-96	23JUL96	T.G.	D.M.
D		EC-0A50-0491-96	17Dec96	T.G.	DM



PINOUT WHEN VIEW FROM TOP
 RAISED ECL V_{EE} = GND
 V_{CC} = +5V ±10%



NOTES:

- DIMENSIONS IN [] ARE IN INCHES.
- PIN PLATING: 100 MICROINCHES MINIMUM Sn93Pb7 OVER 50 MICROINCHES MINIMUM NI SOLDER DIPPED IN Sn90Pb10.
- DRIVEN WITH A DIFFERENTIAL SIGNAL.
- LIMITS ON OPTICAL WAVELENGTH, SPECTRAL WIDTH, OUTPUT RISETIME, AND OUTPUT FALLTIME ARE CONTROLLED BY FIGURE 1.
- WHEN V_{BB} IS USED AS THE REFERENCE VOLTAGE.
- VOLTAGE LEVELS LISTED ARE COMPATIBLE WITH 100K SERIES ECL LOGIC LEVELS. THE PARTS ARE 100% COMPATIBLE WITH 10K AND 10KH SERIES LOGIC WHEN DRIVEN WITH DIFFERENTIAL SIGNALS.
- UNIT PROVIDED WITH PROCESS CAP TO PROTECT OPTICAL PORTS DURING SOLDERING AND CLEANING PROCESSES.

269037-1
 PART NO

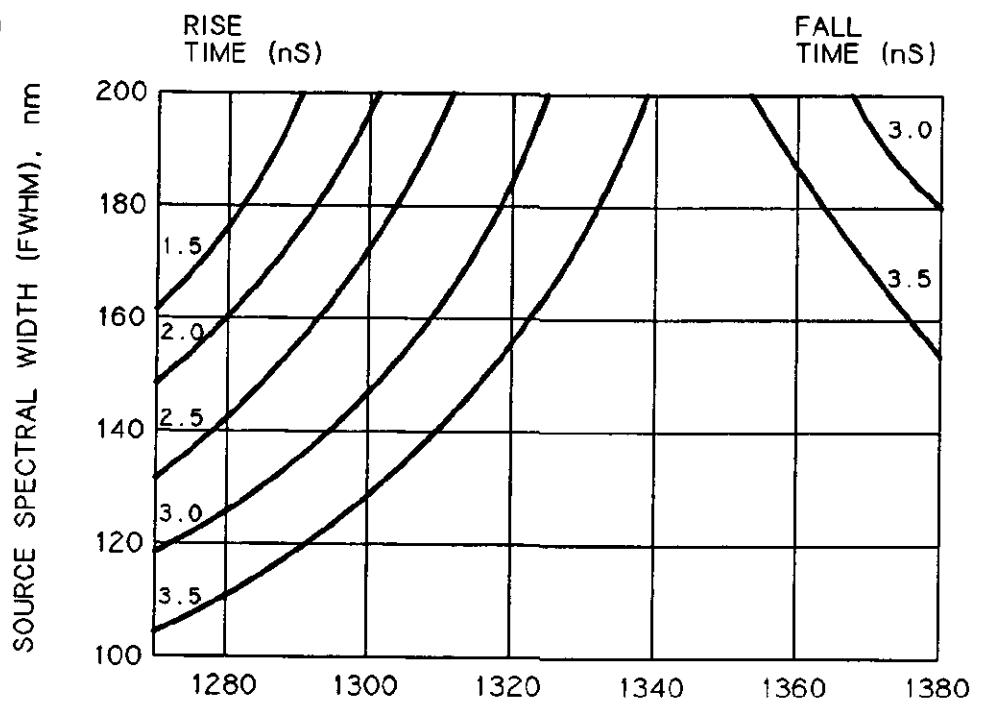
THIS DRAWING IS A CONTROLLED DOCUMENT FOR AMP INCORPORATED. IT IS SUBJECT TO CHANGE AND THE CONTROLLING ENGINEERING ORGANIZATION SHOULD BE CONTACTED FOR THE LATEST REVISION.		DWN: T.GARCIA	AMP AMP Incorporated Harrisburg, PA 17105-3608	
DIMENSIONS: mm [inches]		CHK: D.MILO		
TOLERANCES UNLESS OTHERWISE SPECIFIED: 1 PLC. DEC. ±0.25 [.010] 2 PLC. DEC. ±0.13 [.005] ANGLES ±0.5 DEG.		APVD: <i>S. Garcia 17Dec96</i>	NAME: TRANSMITTER MODULE	
MATERIAL:		PRODUCT SPEC: 108-55003	MOLDED OPTICS, 16 PIN	
FINISH:		APPLICATION SPEC:	2.5mm BAYONET 125 Mb/s 2473DCD	
WEIGHT:		SIZE: A3	CAGE CODE: -	DRAWING NO. ©-269037-1
CUSTOMER DRAWING		RESTRICTED TO		SCALE: NTS
		SHEET 1 OF 2		REV. D

THIS DRAWING IS UNPUBLISHED. RELEASED FOR PUBLICATION .10
 © COPYRIGHT 19 BY AMP INCORPORATED. ALL RIGHTS RESERVED.

LOC	DIST	REVISIONS					
		P	LTR	DESCRIPTION	DATE	DWN	APVD
DR	01		B	EC-0550-3550-94	11OCT94	T.G.	M.M.
			C	EC-0A50-0357-96	23JUN96	T.G.	D.M.
			D	EC-0A50-0491-96	17JUL96	T.G.	DM

PERFORMANCE SPECIFICATIONS (TA = 0-70°C. VCC-VEE = 4.50-5.50V DC)

PARAMETER	SYMBOL	TEST CONDITIONS	MIN	TYPICAL	MAX	UNITS
DATA RATE (NRZ)	B	-	0	-	125	Mb/s
OPTICAL OUTPUT (AVG)	P _{OH}	0.275NA 62.5/125µm FIBER	-19	-	-14	dBm
EXTINCTION RATIO	(P _{OL} /P _{OH}) X 100%	-	-	-	10	%
OPTICAL WAVELENGTH	λ _{OUT}	CENTER	1270	1330	1380	nm
SPECTRAL WIDTH	Δλ	FWHM	-	140	-	nm
DUTY CYCLE	-	B=10-125Mb/s	0	-	100	%
OUTPUT RISE TIME	t _{TLH}	10-90%	.6	1.5	3.5	ns
OUTPUT FALL TIME	t _{THL}	10-90%	.6	1.5	3.5	ns
PULSE WIDTH DISTORTION	-	△ (PEAK-PEAK)	-	-	0.60	ns
DATA DEPENDENT JITTER	t _{DDJ}	△ (PEAK-PEAK)	-	-	0.60	ns
RANDOM JITTER	t _{TRAN}	△ (PEAK-PEAK)	-	-	0.60	ns
DATA INPUTS	V _{IL} V _{IH} I _{IL} I _{IH}	-	V _{CC} -1.81 V _{CC} -1.165 -2 -	-	V _{CC} -1.475 V _{CC} -.88 - 400	V V µA µA
REFERENCE VOLTAGE (OUTPUT)	V _{BB}	-	V _{CC} -1.396	-	V _{CC} -1.24	V
POWER SUPPLY VOLTAGE	V _{CC} - V _{EE}	-	4.50	5.0	5.50	V
SUPPLY CURRENT	I _{CC} OR I _{EE}	-	-	-	140 5.25V 150 5.50V	mA mA
OPERATING TEMPERATURE	T _A	-	0	-	70	°C
ABSOLUTE MAXIMUM RATINGS						
STORAGE TEMPERATURE	-	-	-40	-	100	°C
LEAD SOLDERING LIMITS	-	-	-	-	240/10	°C/s
SUPPLY VOLTAGE	V _{CC} - V _{EE}	-	-0.2	-	7.00	V



SOURCE CENTER WAVELENGTH, nm
 Figure 1
 CENTER WAVELENGTH + SPECTRAL WIDTH
 MUST BE WITHIN GRAPH AND BELOW
 APPROPRIATE RISE AND FALL TIME CURVES

269037-1
 PART NO

THIS DRAWING IS A CONTROLLED DOCUMENT FOR AMP INCORPORATED. IT IS SUBJECT TO CHANGE AND THE CONTROLLING ENGINEERING ORGANIZATION SHOULD BE CONTACTED FOR THE LATEST REVISION.		DWN. T. GARCIA	AMP AMP Incorporated Harrisburg, PA 17105-3608	
DIMENSIONS: mm [Inches]		CHK. D. MILO	NAME TRANSMITTER MODULE MOLDED OPTICS, 16 PIN 2.5mm BAYONET 125 Mb/s 2474DCD	
TOLERANCES UNLESS OTHERWISE SPECIFIED 1 PLC. DEC. ±0.25 [.010] 2 PLC. DEC. ±0.13 [.005] ANGLES ±0.5 DEG.		APVD. S. P. ... (7/20/96)	PRODUCT SPEC. 108-55003	
MATERIAL:		APPLICATION SPEC.	DRAWING NO. A3 - ©-269037-1	
FINISH:		WEIGHT.	RESTRICTED TO	
		CUSTOMER DRAWING	SCALE: NTS SHEET 2 OF 2 REV. D	