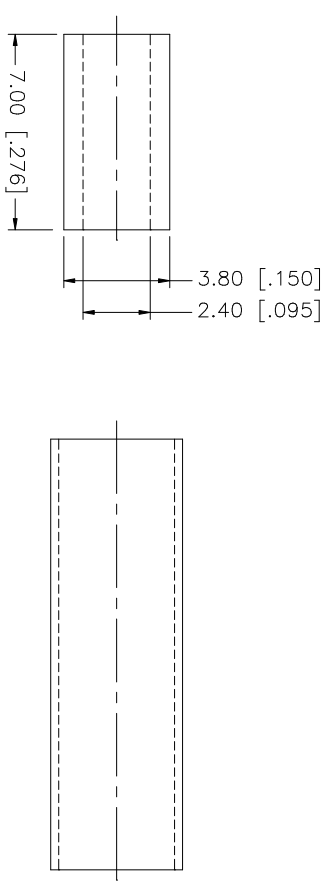
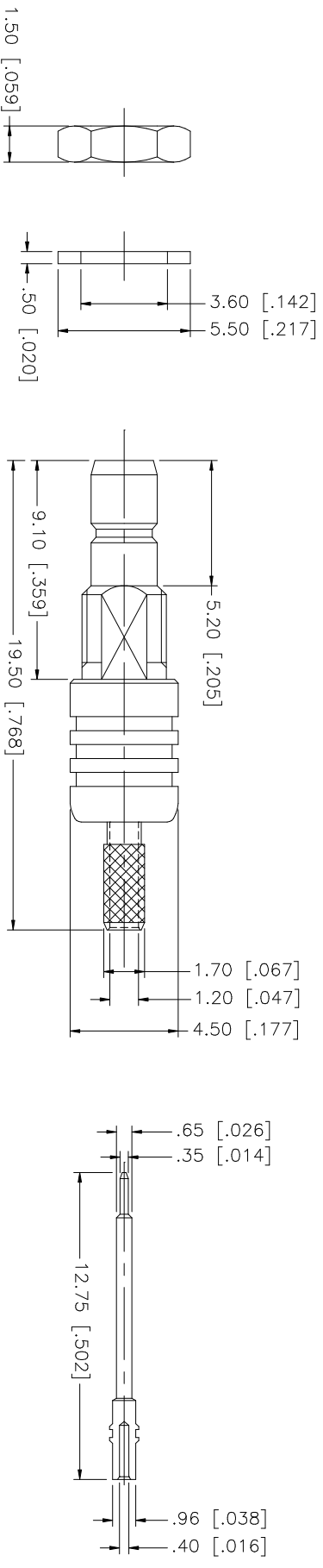
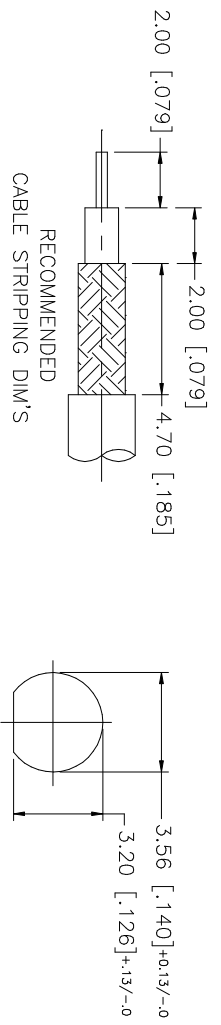


REV.	DATE	DESCRIPTION
NC	07/28/03	INITIAL RELEASE



NOTES:
 1. CRIMPED FERRULE
 HEX CRIMP SIZE .128"

DESCRIPTION	MATERIAL	FINISH	QTY	DO NOT SCALE DRAWING	CAD FILE	APPROVALS	DATE	DWG. NO.	REV.	SIZE	SCALE
HEAT SHRINK TUBE			1	UNLESS OTHERWISE SPECIFIED DIMENSIONS ARE IN MILLIMETERS. DIMENSIONS IN [] ARE IN INCHES AND FOR CUSTOMER REFERENCE ONLY.	C:/143/143107.DWG			143107.DWG	NC	A	NA
HEX NUT	BRASS	GOLD	1	UNLESS OTHERWISE SPECIFIED TOLERANCES FOR MILLIMETERS ARE: 0.5 - 8mm ± 0.20mm 8 - 30mm ± 0.40mm 30 - 120mm ± 0.50mm		G.R.S.	07/28/03				
WASHER	BRASS	GOLD	1	UNLESS OTHERWISE SPECIFIED TOLERANCES FOR MILLIMETERS ARE: 0.5 - 8mm ± 0.20mm 8 - 30mm ± 0.40mm 30 - 120mm ± 0.50mm							
FERRULE	COPPER	GOLD	1	UNLESS OTHERWISE SPECIFIED TOLERANCES FOR INCHES ARE: .020 - .315 = ± 0.007" .315 - 1.180 = ± 0.015" 1.180 - 4.724 = ± 0.020"							
INSULATOR	TEFLON	NATURAL	1								
CONTACT PIN	BRASS	GOLD	1								
BODY	BRASS	GOLD	1								
DESCRIPTION											

Amphenol Connex

SSMB BULKHEAD CRIMP JACK
 (FOR RG-178A/U, 196A/U CABLE)

143107