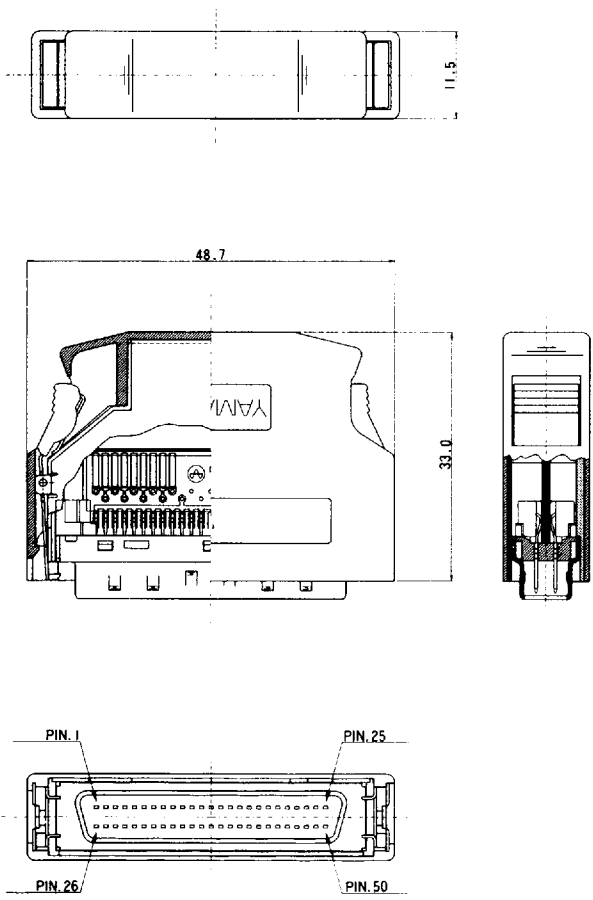


SCSI-II CONNECTORS YAMAICHI NHS/NHPSeries

Half Pitch Interface Connectors

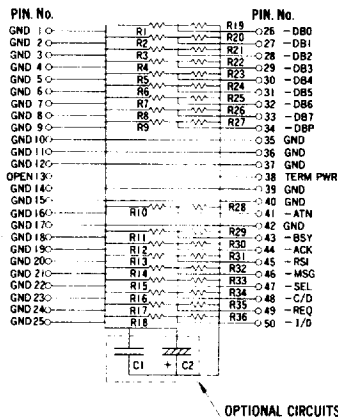
NHA050-TM01- (Alternative -1 Terminator)**

NHA050-TM04- (Alternative -2 Terminator)**



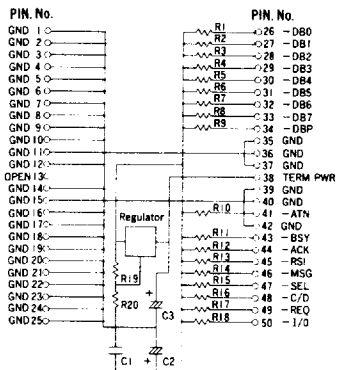
In case of Alternative-1
STANDARD CIRCUITS

R1 - R18 = 330 Ω ± 5%
R19 - R36 = 220 Ω ± 5%
C1 = 0.1 μF / 50V
C1 = 10 μF / 16V



In case of Alternative-2
STANDARD CIRCUITS

R1 - R18 = 330 Ω ± 5%
R19 - R36 = 220 Ω ± 5%
C1 = 0.1 μF / 50V
C1 = 10 μF / 16V



ORDERING CODE

NHA 050 - TM 01 - 0 0

Color of Cover	0: Beige (Standard) 1: Grey 2: Black
Optional Circuit	0: Without Capacitor 1: With Capacitor
Termination	01: Single-Ended, Alternative -1 04: Single-Ended, Alternative -2
Type	TM: Terminator
No. of Leads	50
NHA Series	