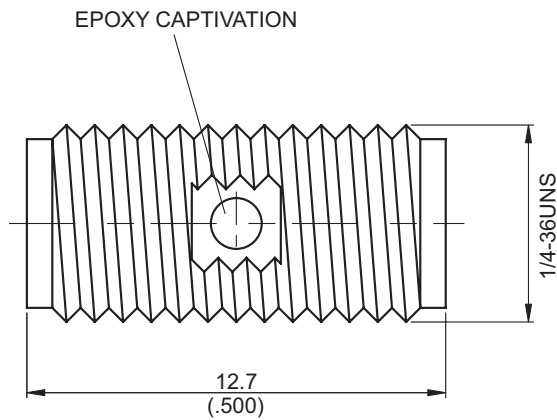


ADS-A8A8

SMA Jack To SMA Jack

50Ω



Typical VSWR

Part Number	1 GHz	2 GHz	3 GHz	4 GHz	5 GHz	6 GHz	7 GHz	8 GHz	9 GHz
ADS-A8A8	1.02	1.02	1.03	1.06	1.06	1.06	1.06	1.11	1.12
	10 GHz	11 GHz	12 GHz	13 GHz	14 GHz	15 GHz	16 GHz	17 GHz	18 GHz
	1.12	1.12	1.12	1.26	1.26	1.26	1.26	1.26	1.26

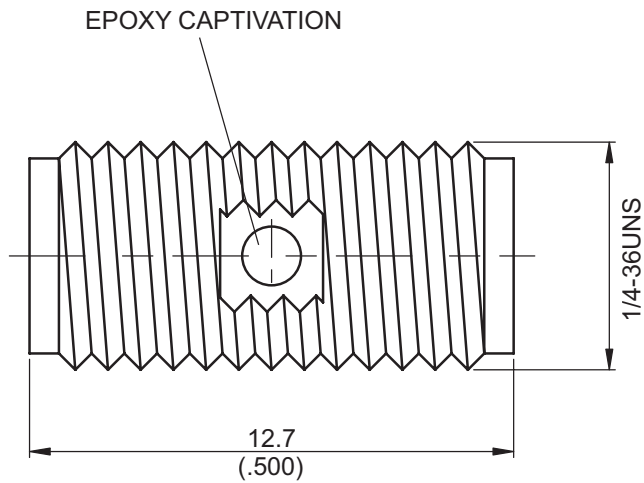
Parts	Material	Plating (Micro-inch)
Contact Pin	Beryllium Copper	Gold 10 Over Nickel 50 Over Copper 50
Insulator	Teflon	
Body	Stainless	Passivated

Weight: 1.32 g

ADSG-A8A8

SMA Jack to SMA Jack

50Ω



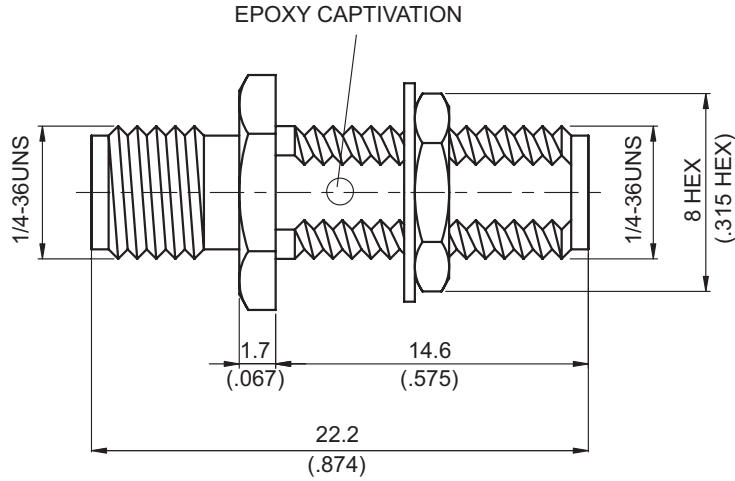
Parts	Material	Plating (Micro-inch)
Contact Pin	Beryllium Copper	Gold 20 Over Nickel 50 Over Copper 50
Insulator	Teflon	
Body	Stainless	Gold 5 Over Nickel 50 Over Copper 50

Weight:

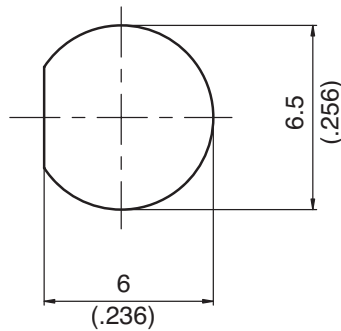
Notice: JYEBAO reserves the right to make modifications deemed appropriate.

ADS-A8A8-BF

SMA Jack To SMA Jack For Bulkhead 50Ω



MOUNTING HOLE:



Typical VSWR

Part Number	1 GHz	2 GHz	3 GHz	4 GHz	5 GHz	6 GHz	7 GHz	8 GHz	9 GHz	10GHz
ADS-A8A8-BF	1.04	1.04	1.05	1.05	1.07	1.17	1.19	1.19	1.2	1.27

Parts	Material	Plating (Micro-inch)
Nut Hex	Brass	Tin-Zinc-Copper-Alloy 100 Over Copper 50
Washer	Brass	Tin-Zinc-Copper-Alloy 100 Over Copper 50
Contact Pin	Beryllium Copper	Gold 10 Over Nickel 50 Over Copper 50
Insulator	Teflon	
Body	Stainless	Passivated

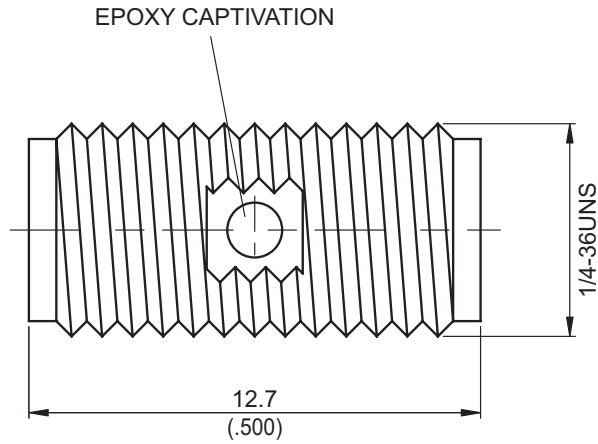
Weight: 3.92 g

Notice: JYEBAO reserves the right to make modifications deemed appropriate.

AD-A8A8

SMA Jack To SMA Jack

50Ω



Typical VSWR

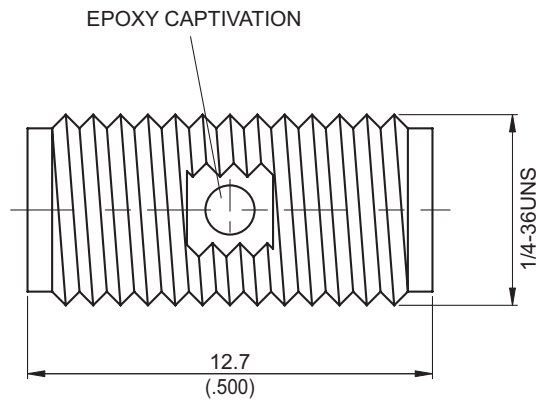
Part Number	1 GHz	2 GHz	3 GHz	4 GHz	5 GHz	6 GHz	7 GHz	8 GHz	9 GHz
AD-A8A8	1.03	1.03	1.06	1.06	1.06	1.06	1.06	1.15	1.17
	10 GHz	11 GHz	12 GHz	13 GHz	14 GHz	15 GHz	16 GHz	17 GHz	18 GHz
	1.28	1.29	1.29	1.29	1.29	1.29	1.29	1.29	1.29

Parts	Material	Plating (Micro-inch)
Contact Pin	Beryllium Copper	Gold 10 Over Nickel 50 Over Copper 50
Insulator	Teflon	
Body	Brass	Gold 5 Over Nickel 50 Over Copper 50

Weight: 3.06 g

AD-A9A8

SMA Reverse Polarity Jack To SMA Jack 50Ω



Typical VSWR

Part Number	1 GHz	2 GHz	3 GHz	4 GHz	5 GHz	6 GHz
AD-A9A8	1.09	1.09	1.09	1.09	1.09	1.14
	7 GHz	8 GHz	9 GHz	10 GHz	11 GHz	12 GHz
	1.17	1.17	1.17	1.17	1.17	1.32

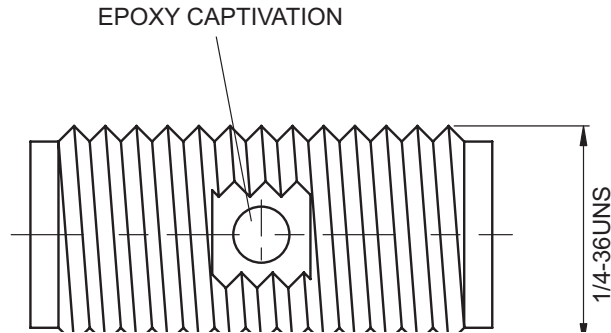
Parts	Material	Plating (Micro-inch)
Contact Pin	Beryllium Copper	Gold 10 Over Nickel 50 Over Copper 50
Insulator	Teflon	
Body	Brass	Gold 5 Over Nickel 50 Over Copper 50

Weight: 1.49 g

Notice: JYEBAO reserves the right to make modifications deemed appropriate.

AD-A9A9

SMA Reverse Polarity Jack To SMA Reverse Polarity Jack
50Ω



Typical VSWR

Part Number	1 GHz	2 GHz	3 GHz	4 GHz	5 GHz	6 GHz	7 GHz	8 GHz	9 GHz	10 GHz	11 GHz
AD-A9A9	1.06	1.06	1.06	1.12	1.12	1.14	1.18	1.18	1.18	1.18	1.18

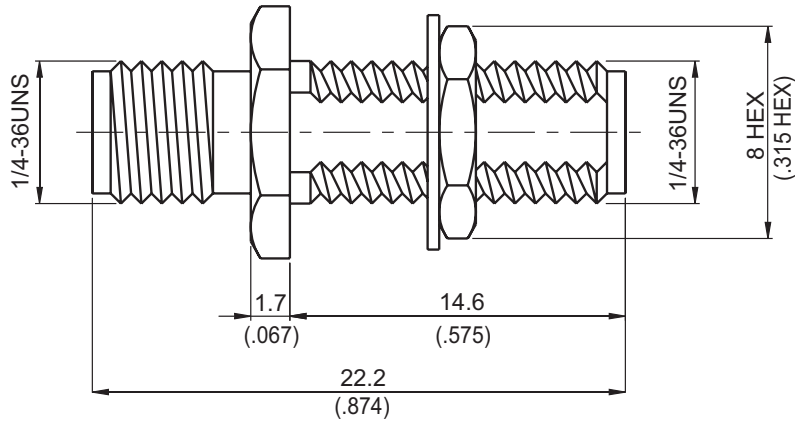
Parts	Material	Plating (Micro-inch)
Contact Pin	Brass	Gold 10 Over Nickel 50 Over Copper 50
Insulator	Teflon	
Body	Brass	Gold 5 Over Nickel 50 Over Copper 50

Weight: 1.48 g

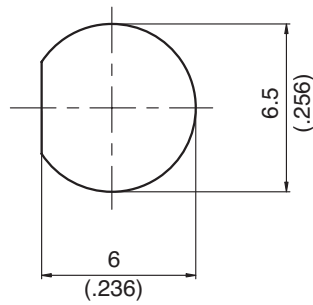
Notice: JYEBAO reserves the right to make modifications deemed appropriate.

AD-A8A8-BF

SMA Jack To SMA Jack For Bulkhead 50Ω



MOUNTING HOLE :



Typical VSWR

Part Number	1 GHz	2 GHz	3 GHz	4 GHz	5 GHz	6 GHz
AD-A8A8-BF	1.02	1.02	1.02	1.03	1.04	1.13
	7 GHz	8 GHz	9 GHz	10 GHz	11 GHz	12 GHz
	1.23	1.23	1.23	1.25	1.25	1.25

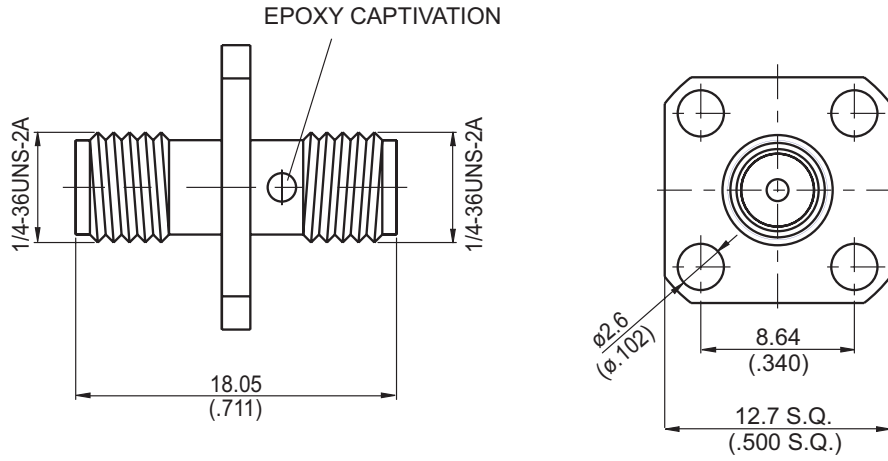
Parts	Material	Plating (Micro-inch)
Nut Hex	Brass	Gold 5 Over Nickel 50 Over Copper 50
Washer	Brass	Gold 5 Over Nickel 50 Over Copper 50
Contact Pin	Beryllium Copper	Gold 10 Over Nickel 50 Over Copper 50
Insulator	Teflon	
Coupling Nut	Brass	Gold 5 Over Nickel 50 Over Copper 50

Weight: 3.92 g

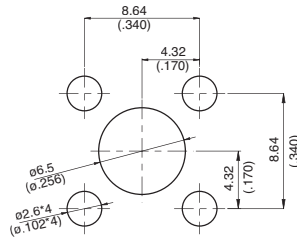
Notice: JYEBAO reserves the right to make modifications deemed appropriate.

AD-A8A8-P4

SMA Jack To SMA Jack For Panel Receptacle 50Ω



MOUNTING HOLE :



Typical VSWR

Part Number	1 GHz	2 GHz	3 GHz	4 GHz	5 GHz	6 GHz	7 GHz	8 GHz	9 GHz
AD-A8A8-P4	1.03	1.03	1.03	1.05	1.06	1.09	1.13	1.19	1.19
	10 GHz	11 GHz	12 GHz	13 GHz	14 GHz	15 GHz	16 GHz	17 GHz	/
	1.19	1.24	1.3	1.3	1.3	1.3	1.3	1.33	/

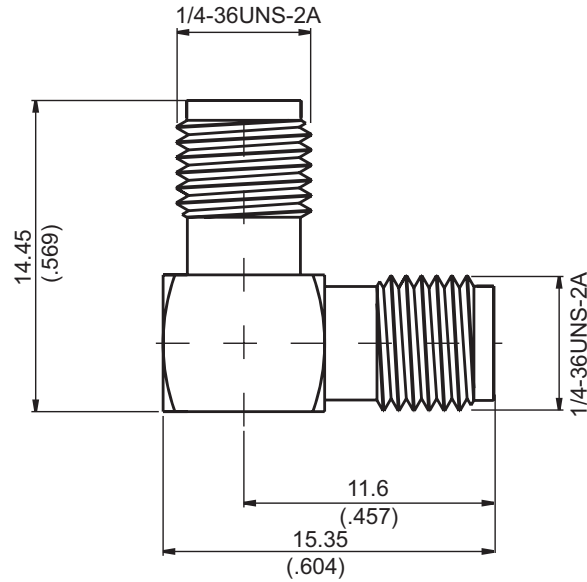
Parts	Material	Plating (Micro-inch)
Contact Pin	Beryllium Copper	Gold 10 Over Nickel 50 Over Copper 50
Insulator	Teflon	
Body	Brass	Gold 5 Over Nickel 50 Over Copper 50

Weight: 3.53 g

Notice: JYEBAO reserves the right to make modifications deemed appropriate.

AL-A8A8

SMA Jack To SMA Jack Right Angle 50Ω



Typical VSWR

Part Number	1Ghz	2Ghz	3Ghz	4Ghz	5Ghz
AL-A8A8	1.04	1.04	1.05	1.05	1.07
	6Ghz	7Ghz	8Ghz	9Ghz	10Ghz
	1.17	1.19	1.19	1.2	1.27

Parts	Material	Plating (Micro-inch)
Cover	Brass	Gold 5 over Nickel 50 Over Copper 50
Contact Pin	Beryllium Copper	Gold 10 Over Nickel 50 Over Copper 50
Body	Brass	Gold 5 over Nickel 50 Over Copper 50
Insulator	Teflon	

Weight: 3.44 g

Notice: JYEBAO reserves the right to make modifications deemed appropriate.