

TABLE 1		
MODEL NO	LTR CODE	TYPE
TNGBJM1	A	3-LUG
TNTBJM1	B	THREADED
TNGBJMFL1	C	4-LUG

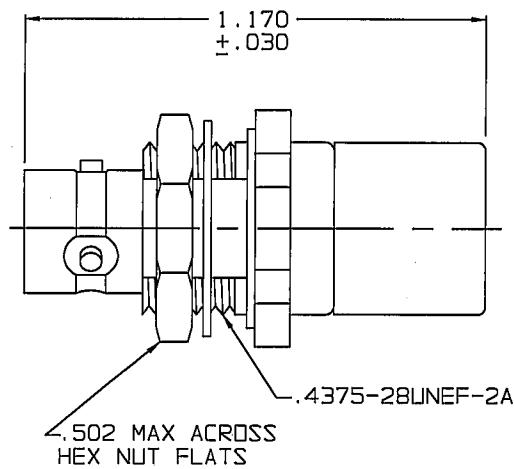
TABLE 2	
DASH NO	DESCRIPTION
-1	TERM (NO CHAIN)
-2	TERM WITH 2.5 BRASS CHAIN
-4	TERM WITH 3.0 BRASS CHAIN
-6	TERM WITH 6.0 BRASS CHAIN
-8	TERM WITH 4.0 BRASS CHAIN
-10	TERM WITH 10.0 BRASS CHAIN

TABLE 3			
DASH NO	"A" DIA	"B" DIA	"C" DIM
-D2	.630	.750	1.066
-D3	.505	.625	.941
-D4	.439	.562	.878
-D5	.380	.500	.816
-D6	.317	.437	.753
-D7	.281	.406	.722
-D8	.610	.750	1.066
-D9	.567	.687	1.003

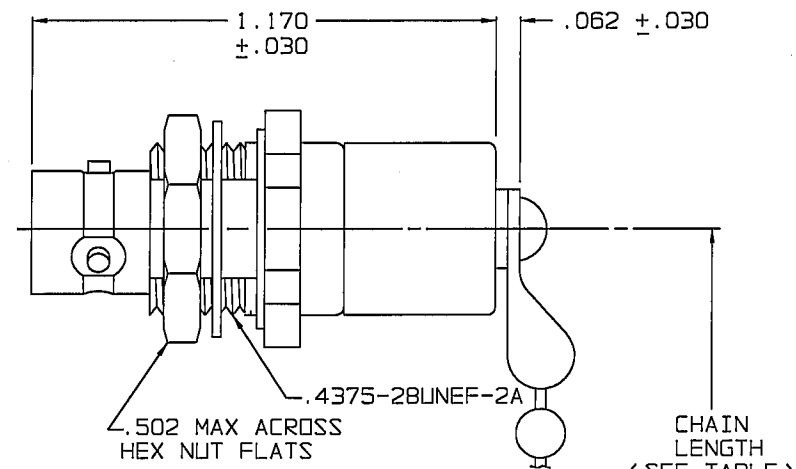
DATA CONTAINED IN THIS DOCUMENT IS PROPRIETARY TO TROMPETER ELECTRONICS INC. AND SHALL NOT BE DISCLOSED, COPIED OR USED FOR PROCUREMENT OR MANUFACTURE WITHOUT EXPRESS WRITTEN PERMISSION OF TROMPETER ELECTRONICS INC.

REVISIONS		305-1496	SH 1
REV	DESCRIPTION	DATE	APPROVED
B	REVISED PER ECO #13959	4/2/01	NAM.

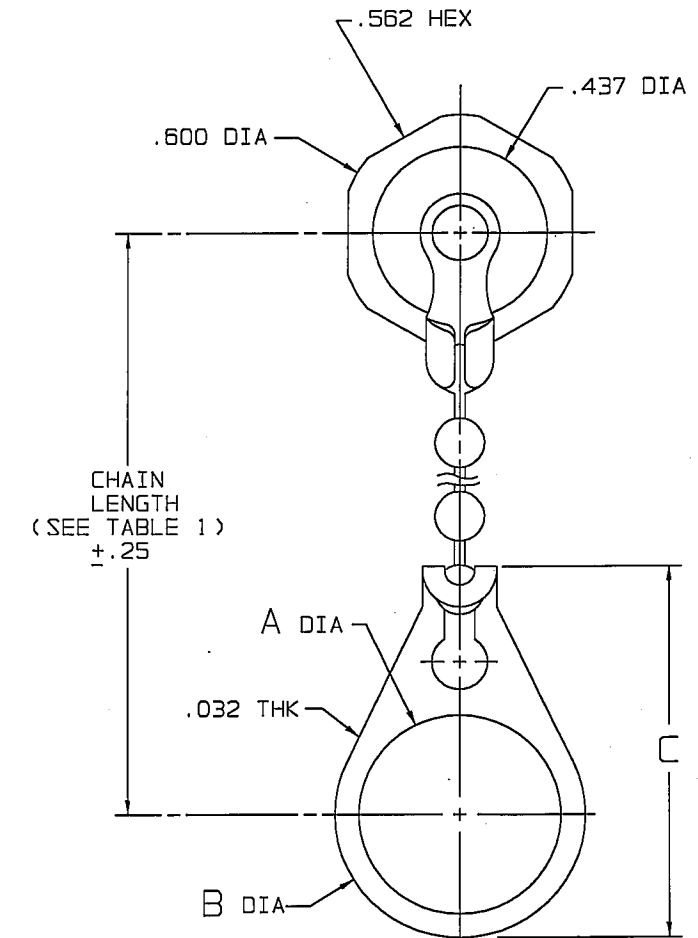
RED INDICATES ORIGINAL



TNGBJM1-1- Δ SHOWN
NO CHAIN OR MOUNTING LUG



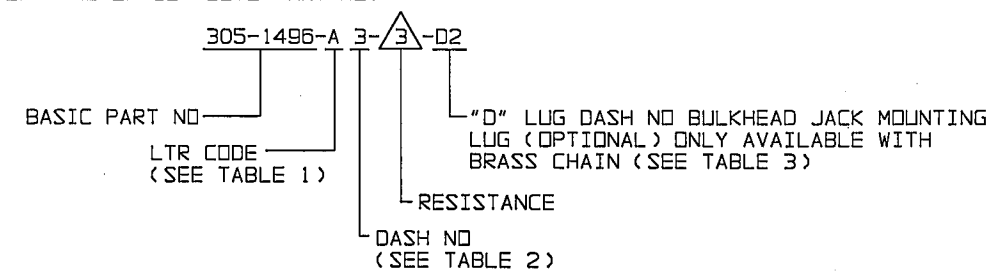
TNGBJM1-2- Δ
THRU -10- Δ SHOWN
STANDARD CHAIN & MOUNTING LUG



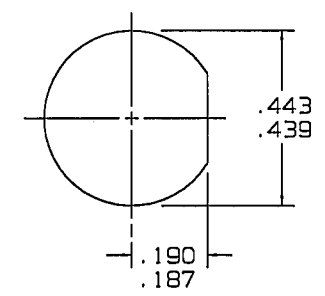
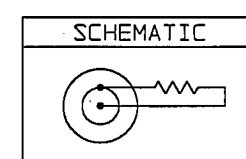
TNGBJM1-2- Δ -D2
THRU -10- Δ -D9 SHOWN
STANDARD CHAIN AND BULKHEAD JACK MOUNTING LUG

- ALL MATERIALS MEET THE OUGASSING REQUIREMENTS OF NASA SPECIFICATION SP-R-0022A
- MAXIMUM PANEL THICKNESS .187
- SOCKET CONTACT TRS SERIES CONCENTRIC TWINAX/ TRIAX 3/4 -LUG/THREADED SUBMINIATURE TERMINATED BULKHEAD JACK

4. EXAMPLE OF COMPLETE PART NO:



- RESISTANCE VALUE IN OHMS 1/8, 1/2
- FINISH: TFS-1A (NICKEL)
- ALL DIM ARE IN INCHES



INTERPRET DRAWING PER MIL-STD-100 DIMENSIONS ARE IN INCHES AND INCLUDE FINISH THICKNESS UNLESS OTHERWISE SPECIFIED		TOL: UNLESS SPECIFIED .XX .XXX .005 .XXXX ANGLS			
DRAWN R L DATE 4/2/01		MATERIAL:			
CHECKED NAM. 4/2/01		FINISH:		TITLE: TNGBJ1/TNTBJM1/ TNGBJMFL1 SPACE RATED	
APPROVED NAM. 4/2/01		DO NOT SCALE DWG		SIZE CAGE CODE B 14949	DRAWING NO. 305-1496
CAD FILE NO. 305-1496B1		SCALE 2/1		DATE: 2/2/01	REV. B
NEXT ASSY		SHEET 1C			