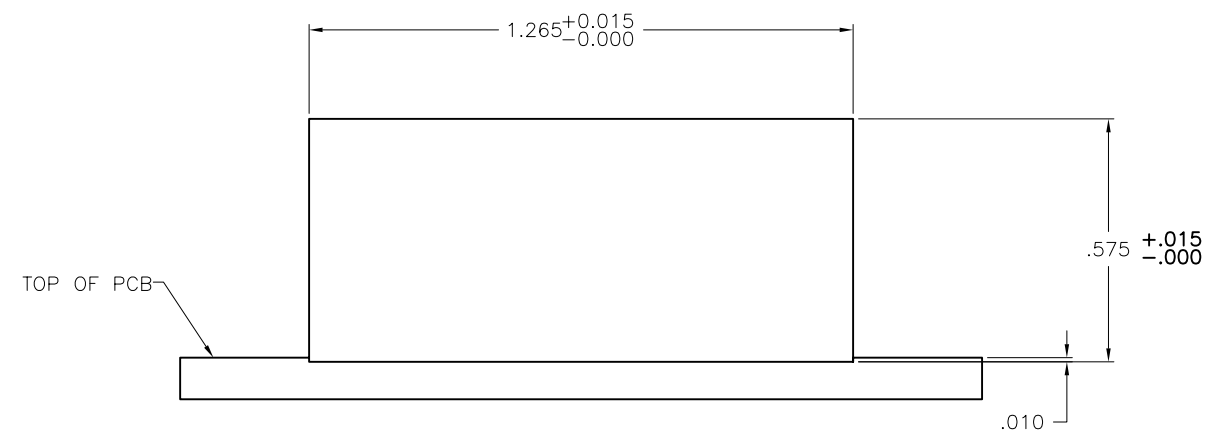
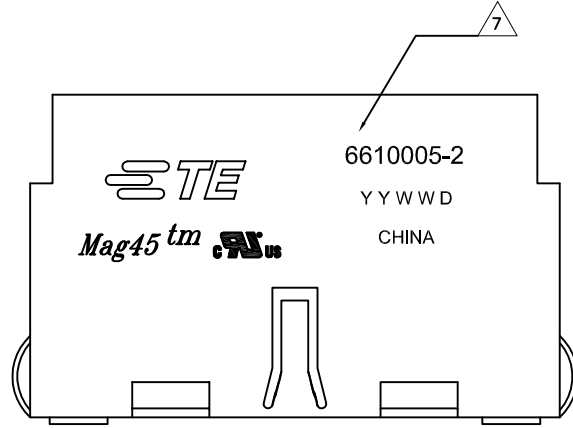


THIS DRAWING IS UNPUBLISHED. RELEASED FOR PUBLICATION. ALL RIGHTS RESERVED.

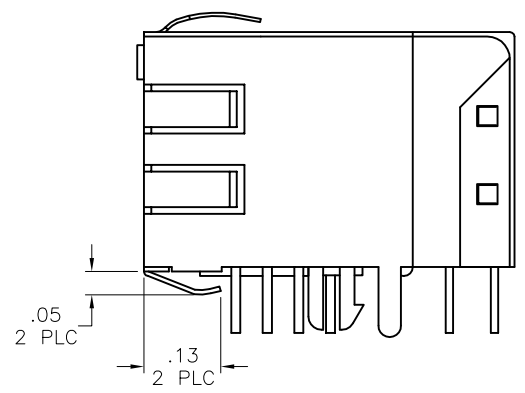
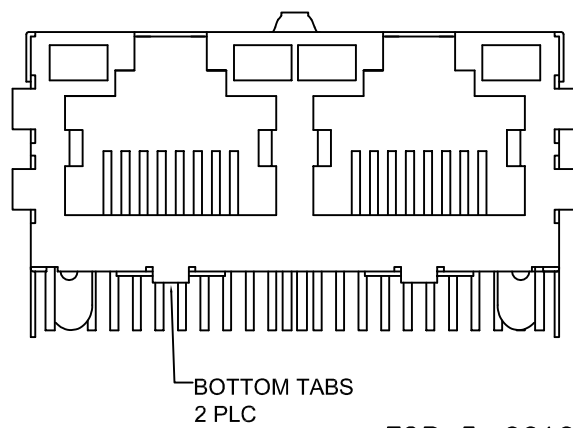
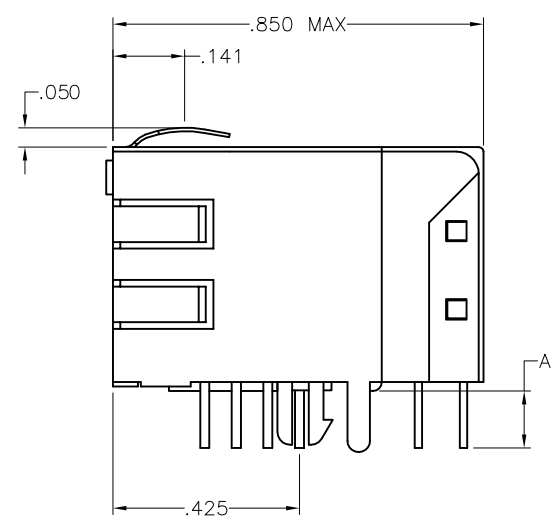
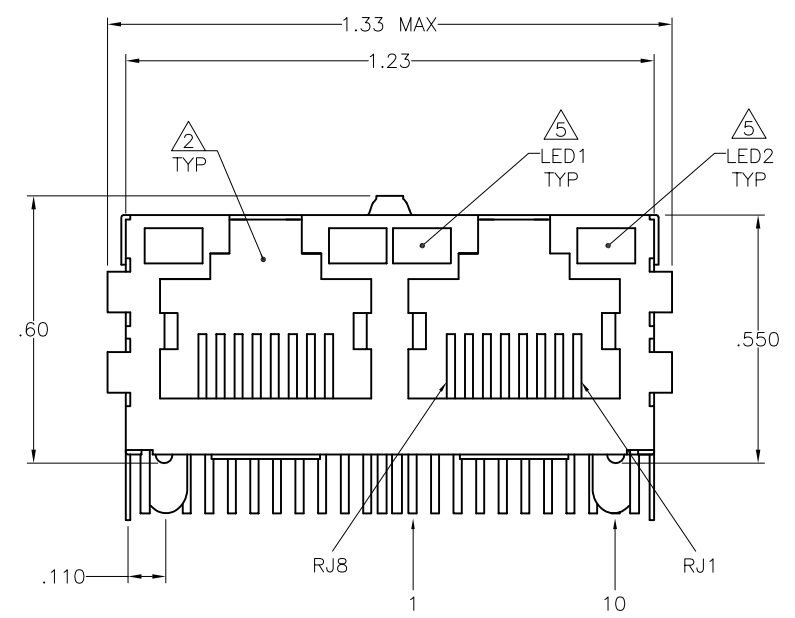
LOC		DIST		REVISIONS			
#	LN	DESCRIPTION	DATE	BY	APP'D		
L		REVISED PER ECO-11-012438	17SEP2011	JQ	KZ		

MECHANICAL:



1X2 SUGGESTED PANEL CUTOUT

- △ MATERIALS:
  - HOUSING - THERMOPLASTIC PET POLYESTER FLAMMABILITY RATING UL 94V-0. ONLY FOR 3-6610005-5: HIGH TEMPERATURE NYLON, BLACK, UL 94V-0.
  - SHIELD - .010" THICK, C26800 BRASS PREPLATED WITH 30m inch MIN SEMI-BRIGHT NICKEL; SOLDER TAB POSTS DIPPED WITH 100m inch MIN SAC SOLDER.
  - MOD JACK CONTACTS - .0157" x .018", PHOSPHOR BRONZE, 50m inch MIN OVERALL NICKEL UNDERPLATE, WITH SELECT 50m inch MIN HARD GOLD FINISH PLATE. SOLDER TAILS WITH 100m inch MIN MATTE TIN AND/OR SAC SOLDER DIP.
  - LIGHT EMITTING DIODE(LED) - DIFFUSED EPOXY LENS, .020" x .020" CARBON STEEL WIREFRAME LEADS PREPLATED WITH 80m inch SILVER OVER 40m inch NICKEL UNDERPLATE OVER 40m inch COPPER UNDERPLATE, POST-PLATED WITH 100m inch MIN MATTE TIN AND/OR SAC SOLDER DIP OR PURE TIN SOLDER DIP.
- △ RJ45 JACK CAVITY CONFORMS TO FCC RULES AND REGULATIONS PART 68, SUB PART F.
- △ MAGNETICS:
  - APPLICATION: 10/100/1000 BASE-T
  - IMPEDANCE: 100 OHMS
  - TURNS RATIO (CHIP-CABLE): 1:1 ALL FOUR PAIRS
  - OPEN CIRCUIT INDUCTANCE (OCL): 350mH MIN @100kHz, 0.1VRMS, 8mADC BIAS FROM 0°C TO 70°C, ALL FOUR PAIRS
  - ALL FOUR PAIRS BI-DIRECTIONAL
  - PERFORMANCE @ 25°C:
    - INSERTION LOSS (IL): 1.1dB MAX FROM 0.5MHz TO 100MHz
    - RETURN LOSS (RL): 18dB MIN FROM 0.5MHz TO 40MHz
    - 12-20LOG(f/80)dB MIN FROM 4.01MHz TO 100MHz
    - CROSSTALK ATTENUATION: 35dB MIN FROM 0.5MHz TO 40MHz
    - 33-20LOG(f/50)dB MIN FROM 4.01MHz TO 100MHz
    - COMMON MODE REJECTION RATIO(CMRR): 30dB MIN FROM 0.5MHz TO 100MHz
  - ISOLATION VOLTAGE: THE CONNECTOR SHALL PROVIDE DC ISOLATION USING 2250VDC (MAX) FOR 60 SECONDS WITH A RISE TIME OF 500 V/SEC AND WITH ALL PORTS CONNECTED.
- △ ALL DIMENSIONS NOMINAL UNLESS OTHERWISE NOTED.
- △ THE 250 OHM RESISTOR IS OPTIONAL, PLEASE SEE CHART FOR PRESENCE OR ABSENCE OF LED RESISTORS. IF LEDS WITHOUT 250 OHM RESISTOR, LEDS ARE DRIVEN WITH CONSTANT CURRENT AT APPROX 20 mA. LED COLOR: DOMINANT WAVELENGTH (λ D): GREEN 568 nm TYP @ IF=20 mA. FORWARD VOLTAGE (VF): GREEN 2.2V TYP @ IF=20 mA. DOMINANT WAVELENGTH (λ D): YELLOW 588 nm TYP @ IF=20 mA. FORWARD VOLTAGE (VF): YELLOW 2.1V TYP @ IF=20 mA. IF LEDS WITH BUILT-IN RESISTOR, LEDS ARE DRIVEN WITH 5V VOLTAGE AND THE MAX OPERATING CURRENT IS 20mA. LED COLOR: DOMINANT WAVELENGTH (λ D): GREEN 568 nm TYP @ VF=5V. FORWARD CURRENT (IF): GREEN 12mA TYP @ VF=5V. DOMINANT WAVELENGTH (λ D): YELLOW 588 nm TYP @ VF=5V. FORWARD CURRENT (IF): YELLOW 13mA TYP @ VF=5V.
- △ INDICATED MAGNETIC CONNECTIONS ARE SYMMETRICAL TO ACCOMODATE CONNECTIONS FOR EITHER NIC OR HUB CONFIGURATION, OR SUPPORT AUTO-MDI/MDIX.
- △ TE CONNECTIVITY LOGO, TE CONNECTIVITY PART NUMBER, DATE CODE, COUNTRY OF ORIGIN AND AGENCY APPROVAL MARKING IN APPROXIMATE LOCATION SHOWN.
- 8. THESE PARTS ARE RECOMMENDED FOR WAVE SOLDERING PROCESS, PREHEAT TEMPERATURE IS 120°C TO 160°C, 120 SECONDS TO 180 SECONDS, PEAK WAVE SOLDERING TEMPERATURE IS 260°C MAX (275°C MAX ONLY FOR 3-6610005-5), 10 SECONDS MAX.
- 9. OPERATING TEMPERATURE: FROM 0°C TO +70°C.



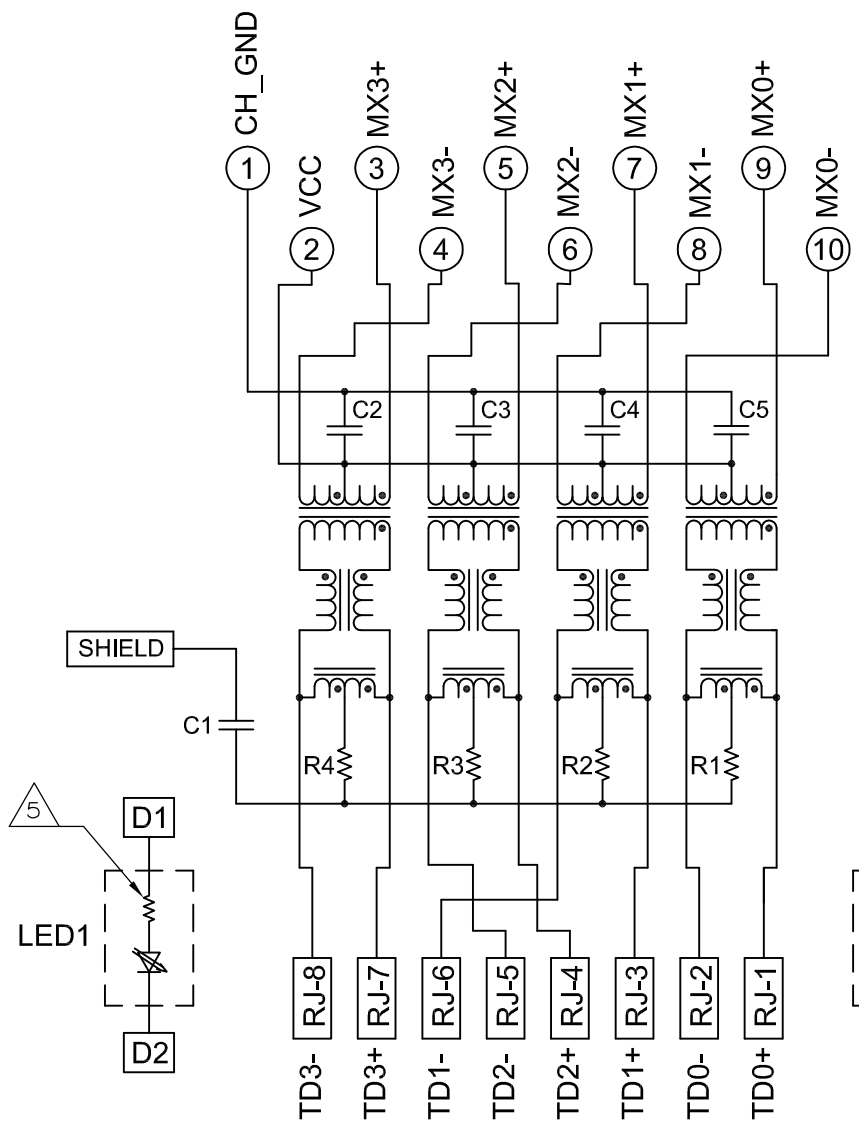
FOR 5-6610005-6 & 2-6610005-2

DIM A	BOTTOM TABS	LED1	LED1 250 OHM RESISTORS	LED2	LED2 250 OHM RESISTORS	PART NUMBER
.081±.010	NO	GREEN/YELLOW	NO	GREEN/YELLOW	NO	6-6610005-6
.145±.010	YES	GREEN/YELLOW	NO	GREEN/YELLOW	NO	5-6610005-6
.100±.010	NO	GREEN/YELLOW	NO	GREEN	NO	3-6610005-5
.125±.010	NO	GREEN/YELLOW	NO	GREEN	NO	2-6610005-5
.125±.010	NO	GREEN/YELLOW	NO	GREEN	YES	2-6610005-4
.145±.010	YES	YELLOW	YES	GREEN	YES	2-6610005-2
.145±.010	NO	GREEN	YES	GREEN/YELLOW	NO	1-6610005-5
.145±.010	NO	GREEN	YES	GREEN	YES	1-6610005-1
.145±.010	NO	GREEN/YELLOW	NO	GREEN/YELLOW	NO	6610005-6
.145±.010	NO	GREEN/YELLOW	NO	GREEN	YES	6610005-4
.145±.010	NO	YELLOW	YES	GREEN	YES	6610005-2

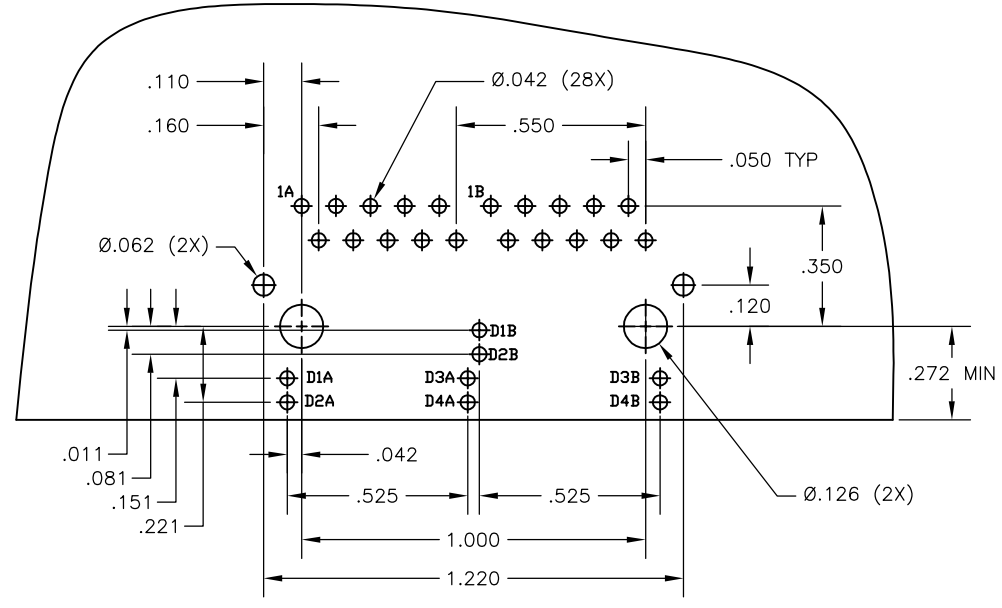
THIS DRAWING IS A CONTROLLED DOCUMENT. DRN: R.GRZYBOWSKI 13JAN05. CHK: D.FAROLE 13JAN05. APD: D.FAROLE 13JAN05. NAME: D.FAROLE. PRODUCT SPEC: 108-2100. APPLICATION SPEC: 108-2100. MATERIAL: FINISH: CUSTOMER DRAWING. SIZE: A1. CASE CODE: 00779. DRAWING NO: C=6610005. RESTRICTED TO: SCALE: 4:1. SHEET: 1 OF 2. REV: L.

LOC	DIST	REVISIONS			
#	LN	DESCRIPTION	DATE	EN	APPD
AA	00	SEE SHEET 1	-	-	-

7G05 GIGABIT SCHEMATIC 3 6

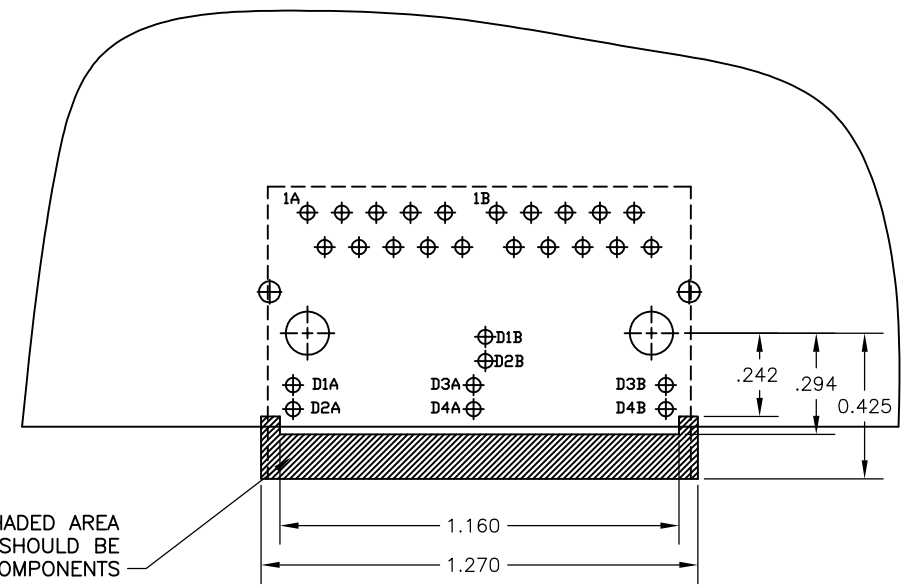


C1 = 1000 pF, 2kV DECOUPLING CAPACITOR  
 R1-R4 = 75 OHMS, 1/16 W, 5% RESISTORS  
 C2-C5 = 0.1uF, 10%, 50V, X7R CAPACITORS

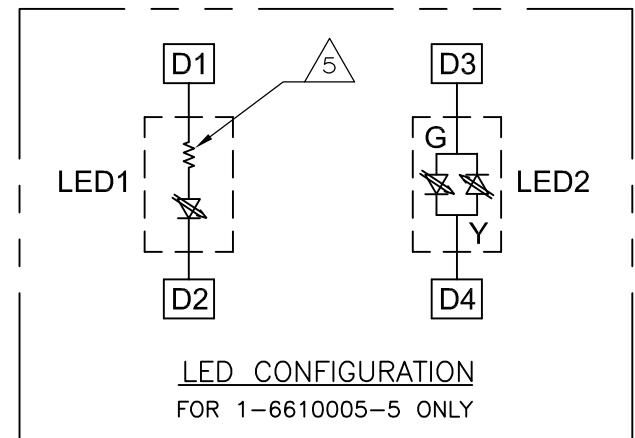
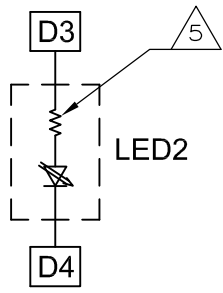


SUGGESTED PCB LAYOUT  
(Component Side)

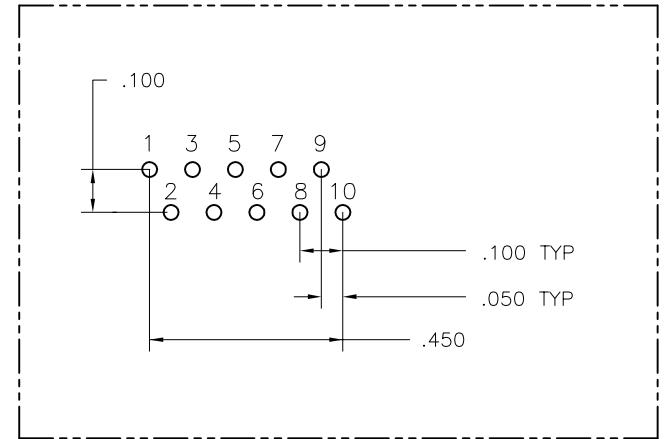
IT IS RECOMMENDED THAT SHADED AREA OF CUSTOMER PC BOARD SHOULD BE CLEAR OF ANY VIA HOLES AND COMPONENTS



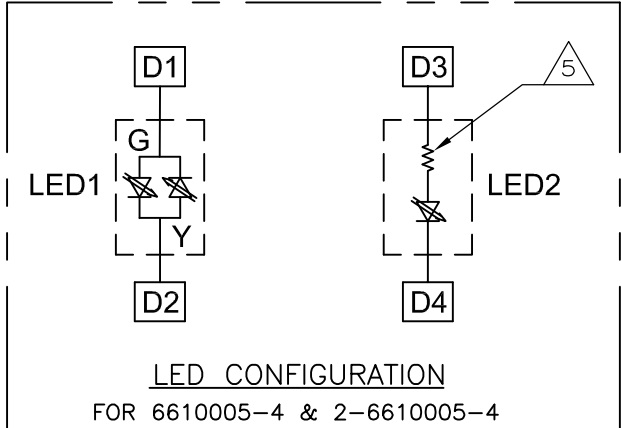
SUGGESTED PCB KEEP OUT AREA  
(Component Side)



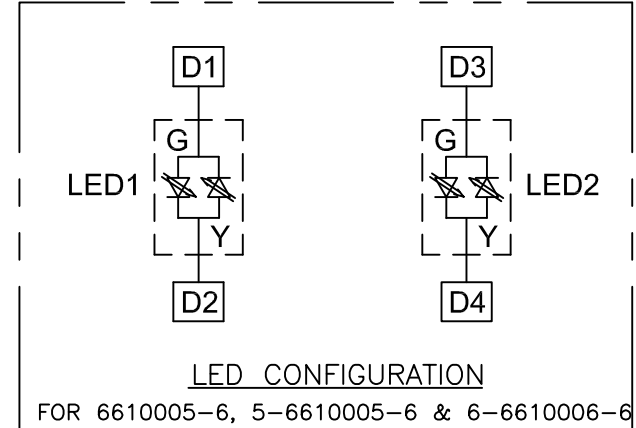
LED CONFIGURATION  
FOR 1-6610005-5 ONLY



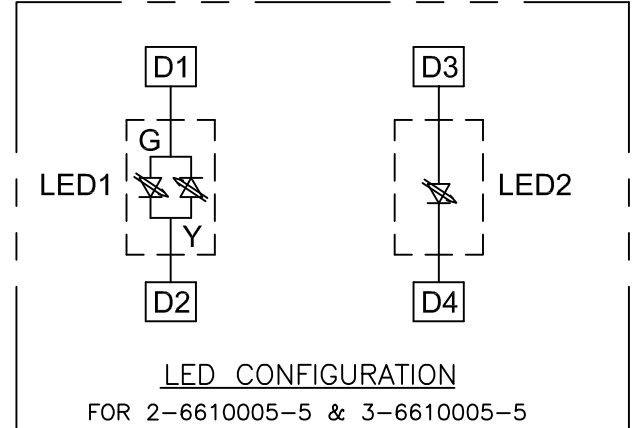
PIN DESIGNATIONS  
(APPLIES TO ALL PORTS)



LED CONFIGURATION  
FOR 6610005-4 & 2-6610005-4



LED CONFIGURATION  
FOR 6610005-6, 5-6610005-6 & 6-6610006-6



LED CONFIGURATION  
FOR 2-6610005-5 & 3-6610005-5

THIS DRAWING IS A CONTROLLED DOCUMENT.		DRN R.GRZYBOWSKI 13JAN05	TE Connectivity																								
DIMENSIONS: INCHES		CHK D.FAROLE 13JAN05																									
<table border="1"> <tr><td>0</td><td>PLC</td><td>±</td><td>-</td></tr> <tr><td>1</td><td>PLC</td><td>±</td><td>-</td></tr> <tr><td>2</td><td>PLC</td><td>±</td><td>.010</td></tr> <tr><td>3</td><td>PLC</td><td>±</td><td>.005</td></tr> <tr><td>4</td><td>PLC</td><td>±</td><td>-</td></tr> <tr><td></td><td>ANGLES</td><td>*</td><td>-</td></tr> </table>		0	PLC	±	-	1	PLC	±	-	2	PLC	±	.010	3	PLC	±	.005	4	PLC	±	-		ANGLES	*	-	NAME D.FAROLE 13JAN05	PRODUCT SPEC 108-2100 APPLICATION SPEC - WEIGHT - MATERIAL - FINISH -
0	PLC	±	-																								
1	PLC	±	-																								
2	PLC	±	.010																								
3	PLC	±	.005																								
4	PLC	±	-																								
	ANGLES	*	-																								
		SIZE A1 CAGE CODE 00779 DRAWING NO C=6610005	RESTRICTED TO - SCALE 4:1 SHEET 2 of 2 REV L																								
		CUSTOMER DRAWING																									