

PLCC Socket

2503 Series

Material and Finish

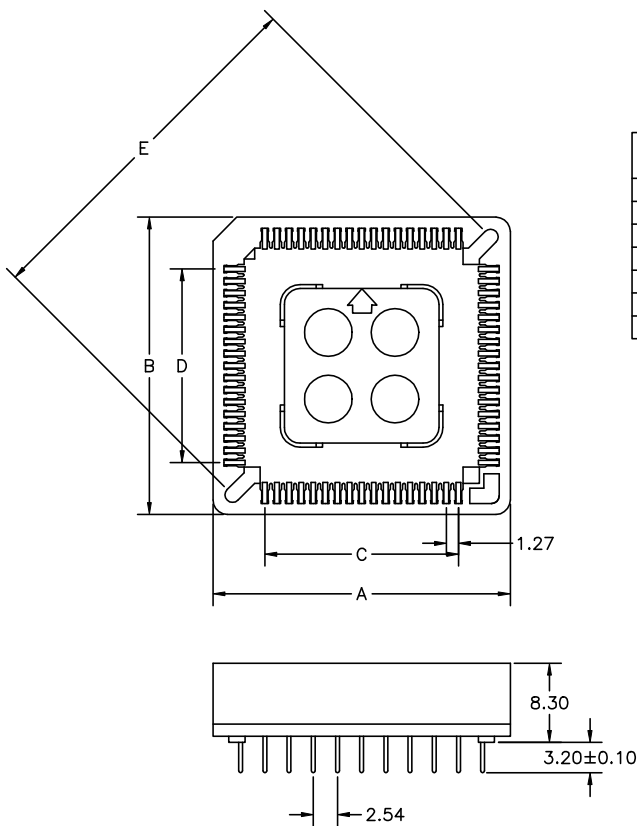
Insulator: PPS/Brown, PBT/Black
 Contact: Phosphor Bronze
 Finishes: Tin or Gold Plated

Feature

Conform to JEDEC 0.08" Spec.

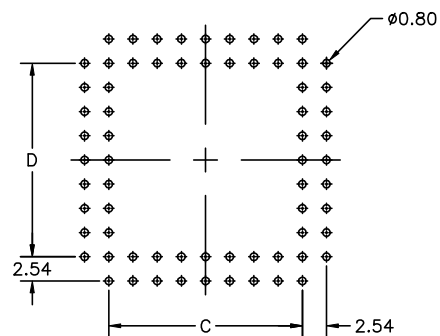
Performance Characteristics

Voltage Rating: AC 100 Vrms/DC 150V
 Current Rating: 1A
 Contact Resistance: 30 m ohm MAX.
 Insulation Resistance: 1000 M ohm Min. At DC 100V
 Withstanding Voltage: AC 600 Vrms for 1 Minute
 Operating Temperature: -55° to +105° (PBT)
 Operating Temperature: -55° to +125° (PPS)



NO OF CONTACT	FIT ON PLASTIC	A±0.2	B±0.2	C±0.2	D±0.2	E±0.2
20	PBT & PPS	15.60	15.60	5.08	5.08	16.76
28	PBT & PPS	18.05	18.05	7.62	7.62	20.34
32	PBT & PPS	18.05	20.60	7.62	10.16	22.34
44	PBT & PPS	23.60	23.60	12.70	12.70	27.50
52	PBT & PPS	26.00	26.00	15.24	15.24	31.50
68	PBT & PPS	31.20	31.20	20.32	20.32	38.36
84	PBT & PPS	36.15	36.15	25.40	25.40	45.60

P.C.B LAYOUT



Order Information 2503 Series

Example: 2503 - 68 - 01 - P - B

Series No.	Number of Contacts	Contact Plating	Contact Material	Color
2503	20,28,32,44,52,68,84	Tin Plated 01 Gold Flash 02	PBT P PPS S	Black B Brown A