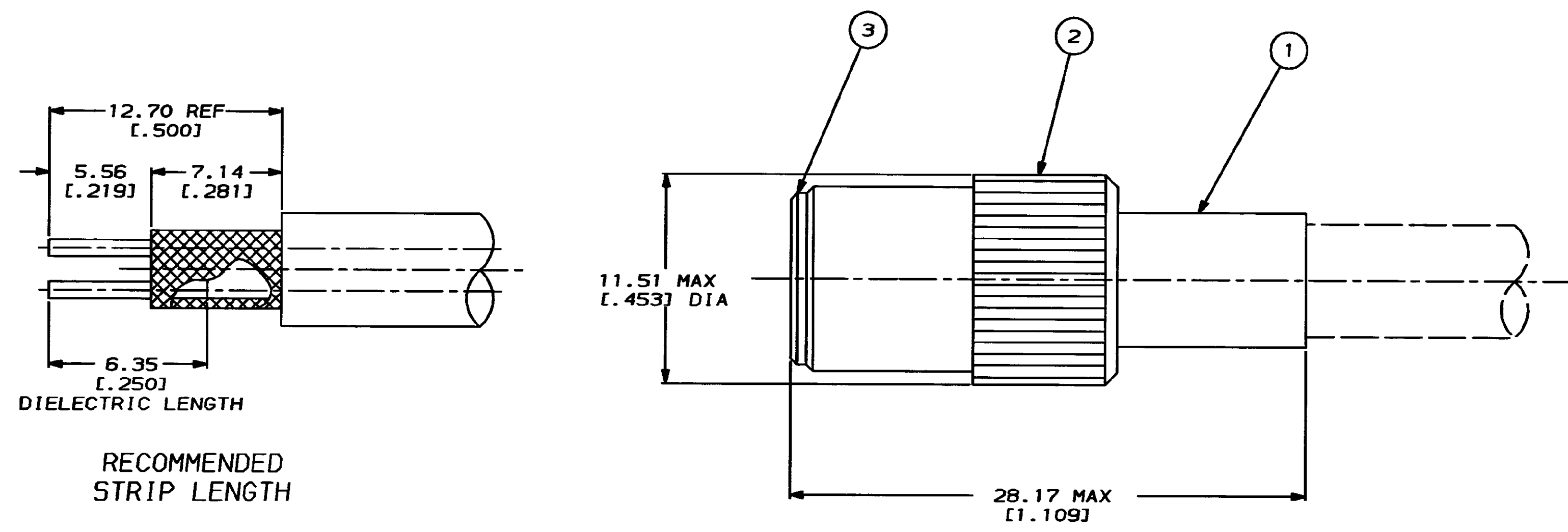


DRAWING MADE IN THIRD ANGLE PROJECTION

THIS DRAWING IS UNPUBLISHED. RELEASED FOR PUBLICATION .19
 © COPYRIGHT 19 BY AMP INCORPORATED. ALL INTERNATIONAL RIGHTS RESERVED.

LOC	DIST	P	F	REVISIONS			DATE	APPD
				ZONE	LTR	DESCRIPTION		
AJ	16				D	REDWN & OBS -3 PER AJ-2076	06-25-91	BAS
					E	SUPERSEDED -4, -5 PER AJ-2432	02/05/93	JPD

1. PARTS PACKAGED UNASSEMBLED
2. CRIMP TOOL: 69311-1
3. SEE I.S. 1833



RECOMMENDED STRIP LENGTH

SUPERSEDED BY 2-329945-3	BELDEN 8762	2-330246-3	1-330247-1	2-329041-5	225687-5
SUPERSEDED BY 2-329944-3	BELDEN 8451, 8641 & 8761	2-330246-3	1-330247-1	329056	225687-4
	RG-108/U, 108A/U AND BELDEN 8759	2-330246-3	1-330247-1	1-329960-1	225687-2
	CABLE SIZE	③ PLUG ASSEMBLY QTY=1	② COLLAR RETAINING QTY=1	① FERRULE QTY=1	PART NUMBER

		PART NO		
DO NOT SCALE PRINT. UNLESS SPECIFIED DIMENSIONS IN mm [INCHES] TOLERANCES ON: 2 PLC DEC ± 0.41 [.016] 3 PLC DEC ± - ANGLES ± - MATERIAL -	DR 06-25-91 B. SCOTT	AMP Incorporated Harrisburg, PA 17105-3608		
	CHK 02/05/93 G. MICHAEL			
	APPD 02/05/93 G. MICHAEL	NAME		
	APPD 02/05/93 J. DAVIS	RECEPTACLE, THREADED, TWIN SERIES		
FINISH -	APPLICATION SPEC -	SIZE ©	CAGE CODE 00779	DRAWING NO 225687
	WEIGHT -	SCALE 5:1		SHEET 1 OF 1

CUSTOMER DRAWING