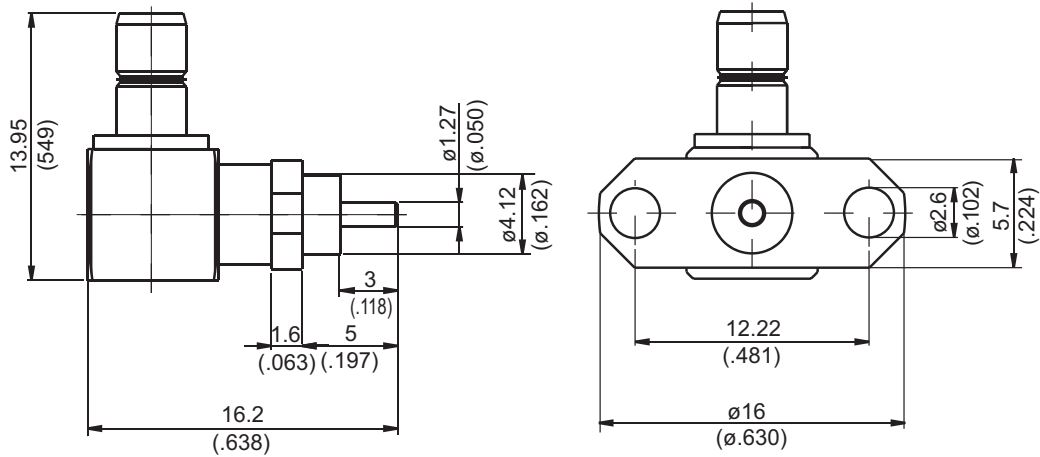
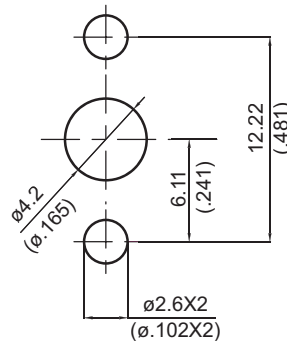


SMB8620-9000

SMB Jack For Panel Receptacle Right Angle



MOUNTING HOLE:



Parts	Material	Plating (Micro-inch)
Cover	Brass	Gold 5 Over Nickel 50 Over Copper 50
Contact Pin	Brass	Gold 20 Over Nickel 50 Over Copper 50
Insulator	Teflon	
Body	Brass	Gold 5 Over Nickel 50 Over Copper 50

Weight: 3.69 g

Notice: JYEBAO reserves the right to make modifications deemed appropriate.