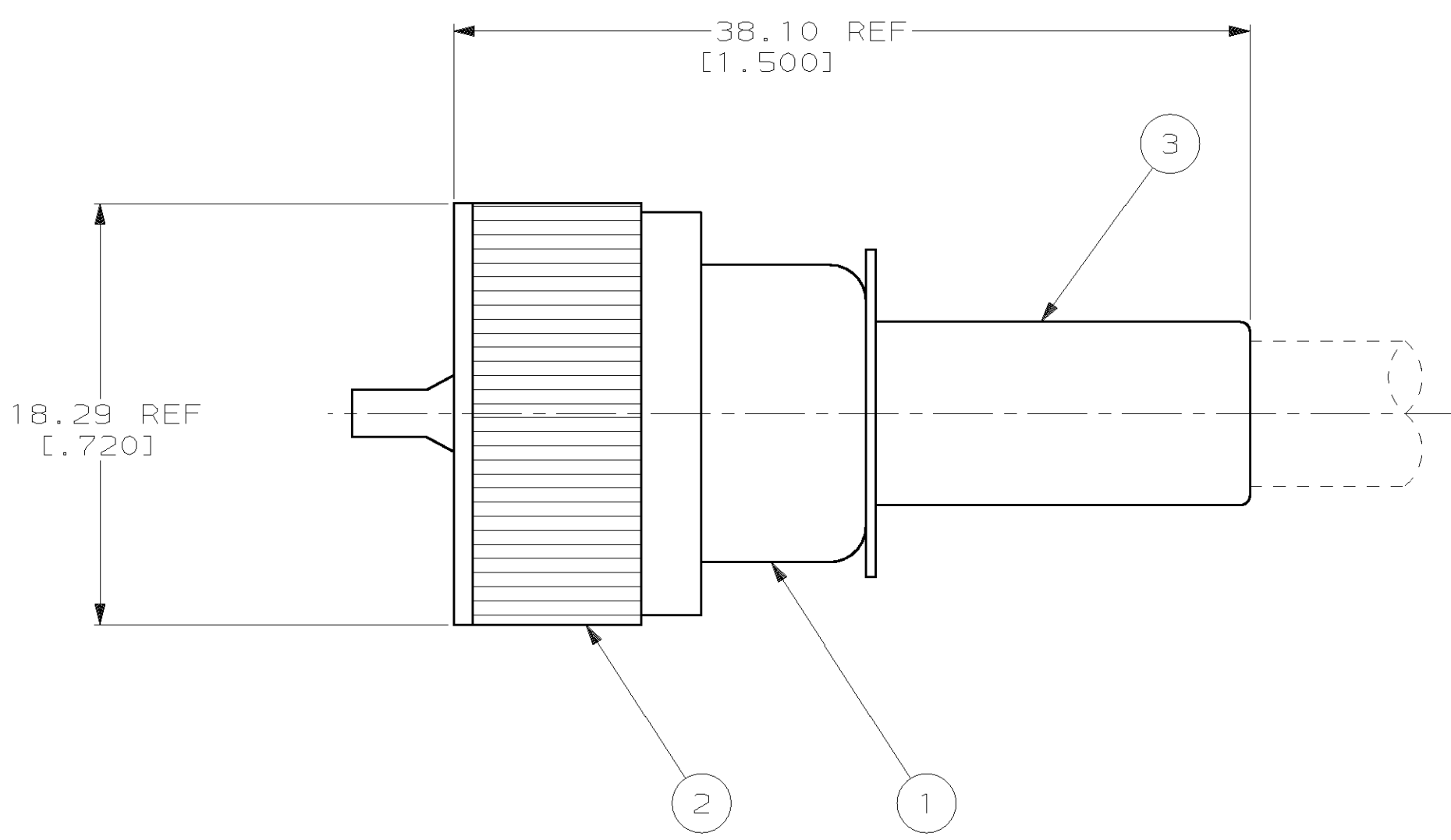
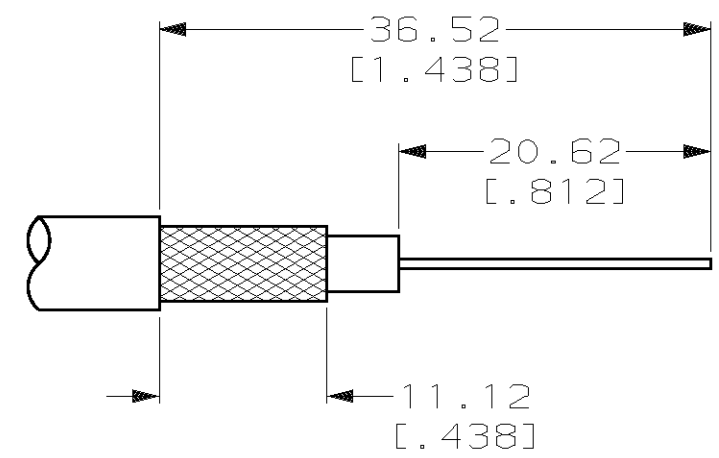


THIS DRAWING IS UNPUBLISHED. RELEASED FOR PUBLICATION
 © COPYRIGHT 19 BY AMP INCORPORATED. ALL INTERNATIONAL RIGHTS RESERVED.

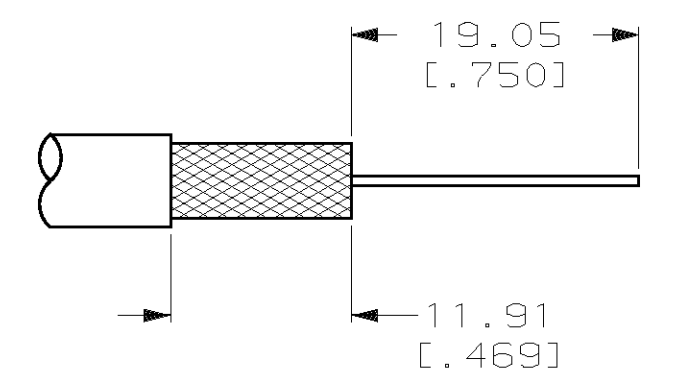
LOC		DIST		P		F		ZONE		LTR		REVISIONS		DATE	APPD
AJ		16								M		SUPSD -3 PER 0U20-0488-00		13MAR01	MO



1. SEE INSTRUCTION SHEET #2491-1.
 2. OBSOLETE PART NUMBER.



DETAIL A
SCALE 2:1



DETAIL B
SCALE 2:1

RECOMMENDED STRIP LENGTH

	OBSOLETE	A	220094-1	RG-58/U	226304-3	222649-2	226219-1	1-226208-9
	OBSOLETE	B	220095-1	RG-8/U, 213/U	226213-6	222649-2	226209-1	1-226208-8
		-	-	-	-	-	-	2-226208-7
		A	220094-1	RG-59/U, 59A/U, 59B/U	226213-2	226309-2	226219-1	1-226208-6
		-	-	-	-	-	-	2-226208-4
		A	220094-1	RG-58/U, 58A/U, 58B/U, 58C/U	226304-3	226309-2	226219-1	1-226208-3
	OBSOLETE	B	220095-1	RG-8/U, 8A/U, 213/U	226213-6	226309-2	226209-1	1-226208-1
	SUPERSEDED BY 226279-3	A	220094-1	RG-59/U, 59A/U, 59B/U	226213-2	226962-2	226219-1	226208-6
		-	-	-	-	-	-	2-226208-4
	SUPERSEDED BY 226279-1	A	220094-1	RG-58/U, 58A/U, 58B/U, 58C/U	226304-3	226962-2	226219-1	226208-3
		-	-	-	-	-	-	2-226208-1
		DETAIL	CRIMP TOOL	CABLE SIZE	3 FERRULE QTY= 1	2 COLLAR QTY= 1	1 PLUG ASSY QTY= 1	PART NUMBER

DO NOT SCALE PRINT. UNLESS SPECIFIED DIMENSIONS IN mm [INCHES] TOLERANCES ON : 2 PLC DEC ± 0.41 [.016] 3 PLC DEC ± - ANGLES ± -		DR 11/11/91 B. MOYER CHK 11-20-91 M. SNEED APPD 11-20-91 R. HENRY APPD 11-20-91 M. SNEED		AMP AMP Incorporated Harrisburg, PA 17105-3608	
MATERIAL -		PRODUCT SPEC 108-12016		NAME PLUG, SERIES UHF	
FINISH -		APPLICATION SPEC -		SIZE C	CAGE CODE 00779
		WEIGHT -		SCALE 4:1	DRAWING NO 226208
				SHEET 1 OF 1	