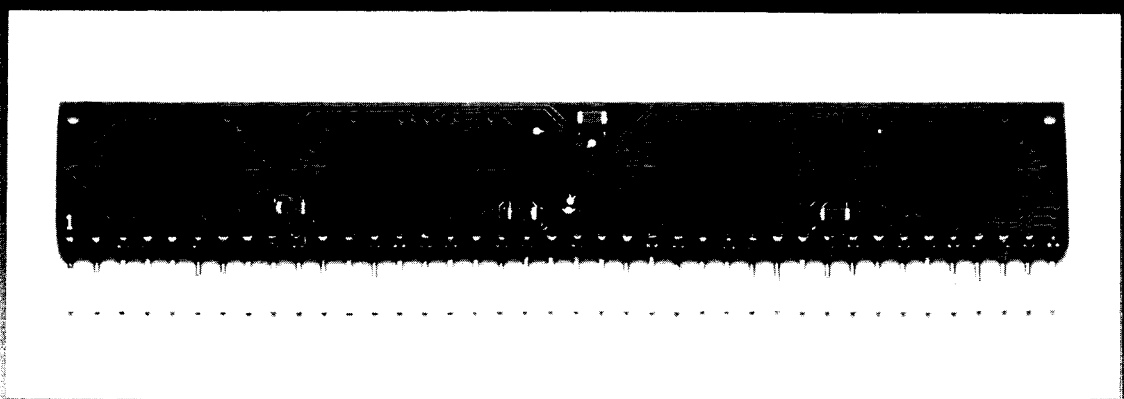


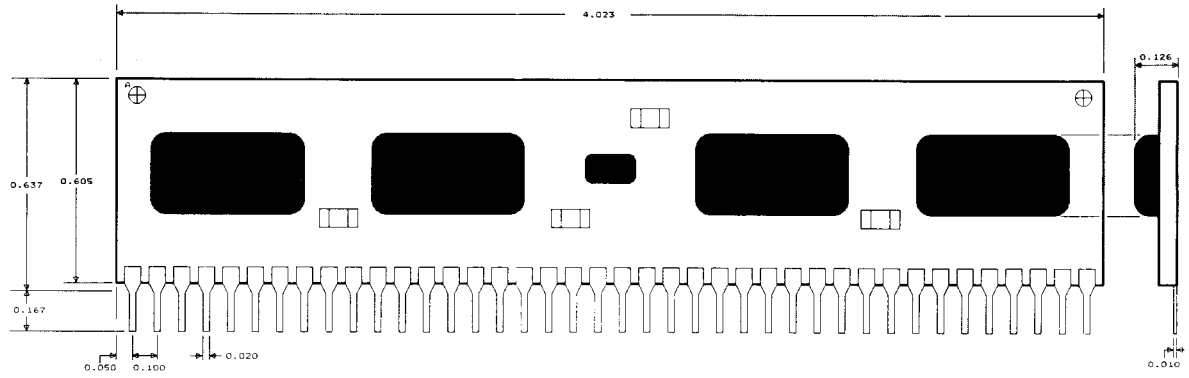
# ALTRONIC TECHNOLOGY, INC.

## High Performance CMOS Static Ram Modules



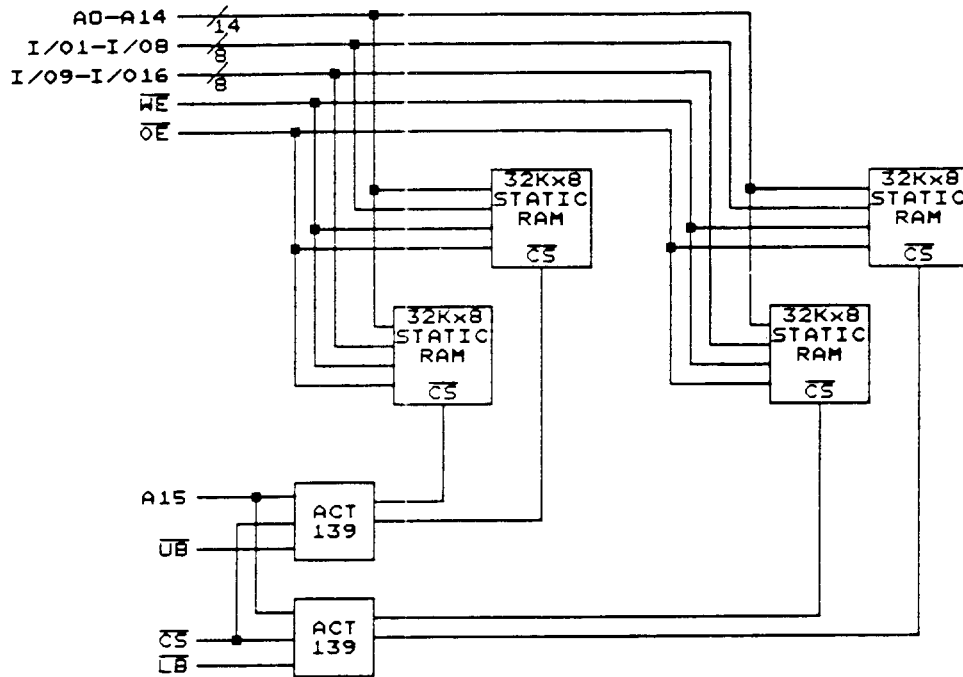
/ALTRONIC P/N	ORGANIZATION	TYPE	ACCESS TIME	COB PACKAGE
M120A	64K x 16	SRAM	100 NS	SIP 40
M120B	128K x 8	SRAM	100 NS	SIP 40

- Advanced Chip-On-Board (COB) Technology
- Fully TTL compatible
- Three state outputs
- High speed CMOS design
- Single 5V ± 10% operation
- 0.1 MFD Decoupling Capacitors on each memory device
- Fully static operation
- Fully tested for operation and speed
- Can be configured for 64K x 16 or 128K x 8



Note: Dimensions in inches  
all values typical

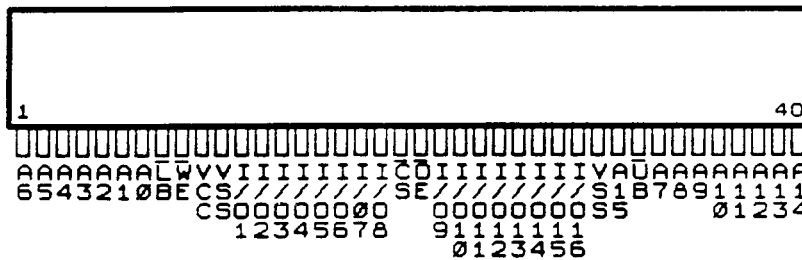
# Functional Block Diagram



## Specifications

- Hybrid chip on board module
- FR4 Substrate: bonding on one side
- 4 die SRAM 32K x 8 bits
- Decoding on board with ACT 139
- Access time: 100, 120, 150 NS
- Retention mode: Typical 10 uA at 25C
- Low power operation and standby modes
- Pin out comp. with 64K x 16 SRAM
- Organization: 64K x 16 bits in 40 SIP
- Or 128K x 8 bits in 40 SIP

## Pin Configuration



- |            |                     |
|------------|---------------------|
| A0-A15     | Address Inputs      |
| I/O1-I/O16 | Data Inputs/Outputs |
| /CS        | Chip Select Input   |
| /OE        | Output Enable Input |
| /WE        | Write Enable Input  |
| /UB        | Upper Byte Select   |
| /LB        | Lower Byte Select   |
| VCC        | Power Supply Pin    |
| VSS        | Ground Pin          |

34900 Chardon Road  
 Willoughby Hills, Ohio 44094  
 Tel: (216) 946-7244  
 Fax: (216) 946-7257