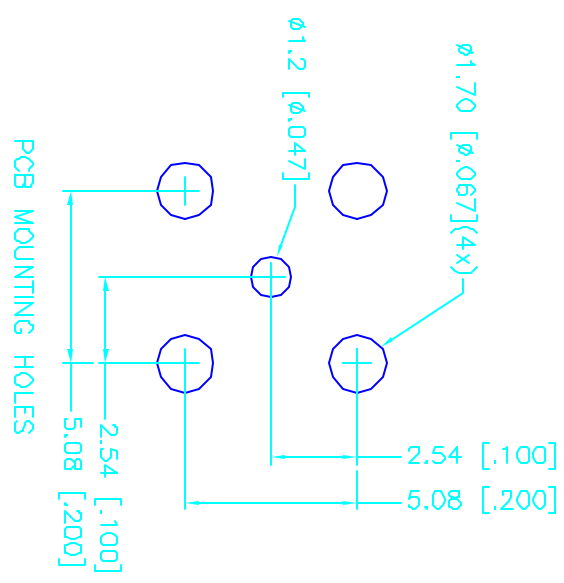
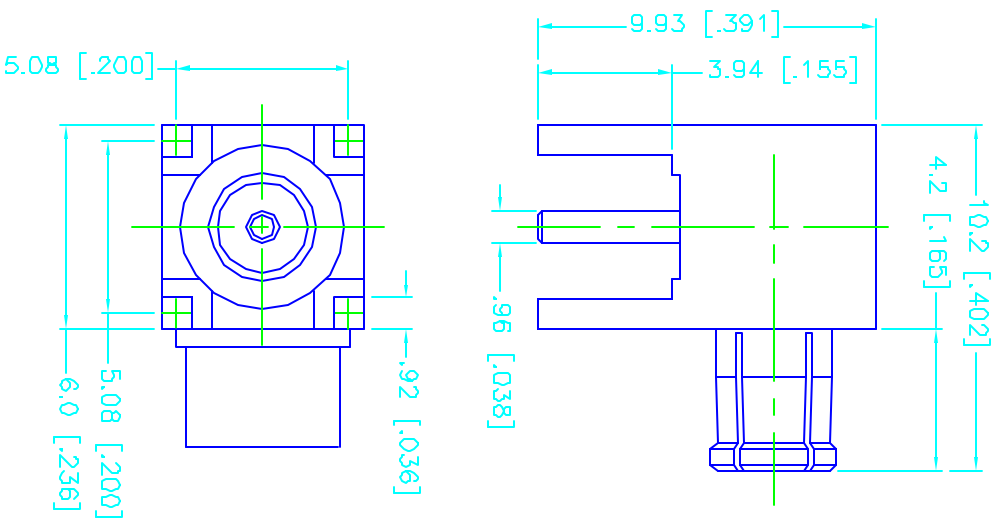


REV.	DATE	DESCRIPTION
NC	12/16/98	INITIAL RELEASE



DESCRIPTION	MATERIAL	FINISH	UNLESS OTHERWISE SPECIFIED DIMENSIONS IN [ ] ARE IN MILLIMETERS FOR CUSTOMER REFERENCE ONLY	APPROVALS	DATE	TITLE	SIZE	FORM NO.	DWG. NO.	REV.
1 HOUSING	BRASS	NICKEL	UNLESS OTHERWISE SPECIFIED DIMENSIONS IN [ ] ARE IN MILLIMETERS FOR CUSTOMER REFERENCE ONLY  UNLESS OTHERWISE SPECIFIED TOLERANCES FOR MILLIMETERS ARE: 0.5-6 = ± 0.2 6-30 = ± 0.4 30-120 = ± 0.6 120-375 = ± 1 375-1000 = ± 1.6 1000-2000 = ± 2.4	DRAWN	12/16/98	MCX R/A P.C.B. RECEPTACLE PLUG  	A	99001	252154	NC
2 INSULATOR	TEFLON	NATURAL		CHECKED						
3 CONTACT PIN	BRASS	GOLD		ISSUED						
4 INSULATOR	TEFLON	NATURAL								
5 CUT CONTACT	BER. COPPER	GOLD								
6										
7										
8				DO NOT SCALE DRAWING						

SCALE NA PART NO. 252154 SHEET 1 OF 1