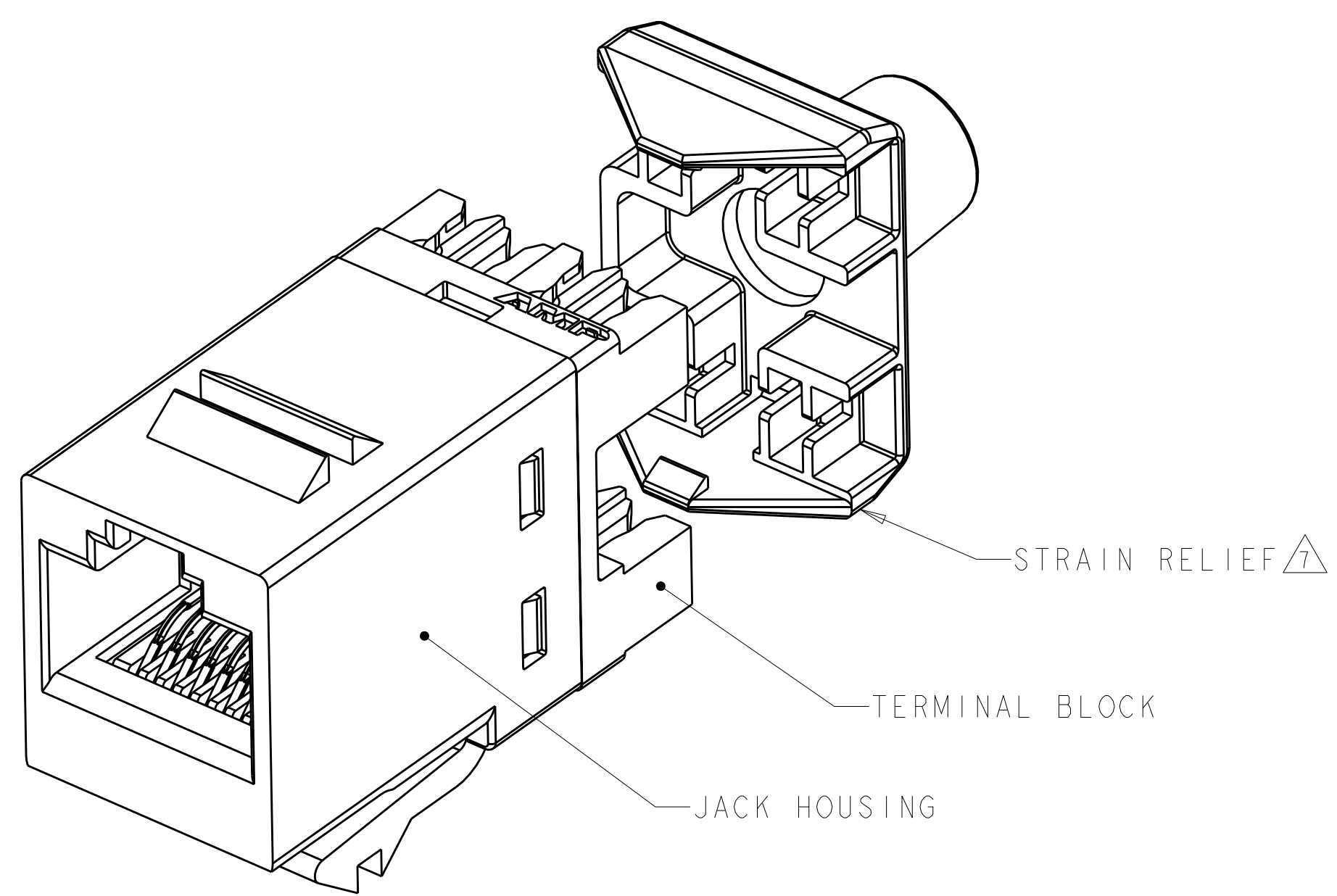
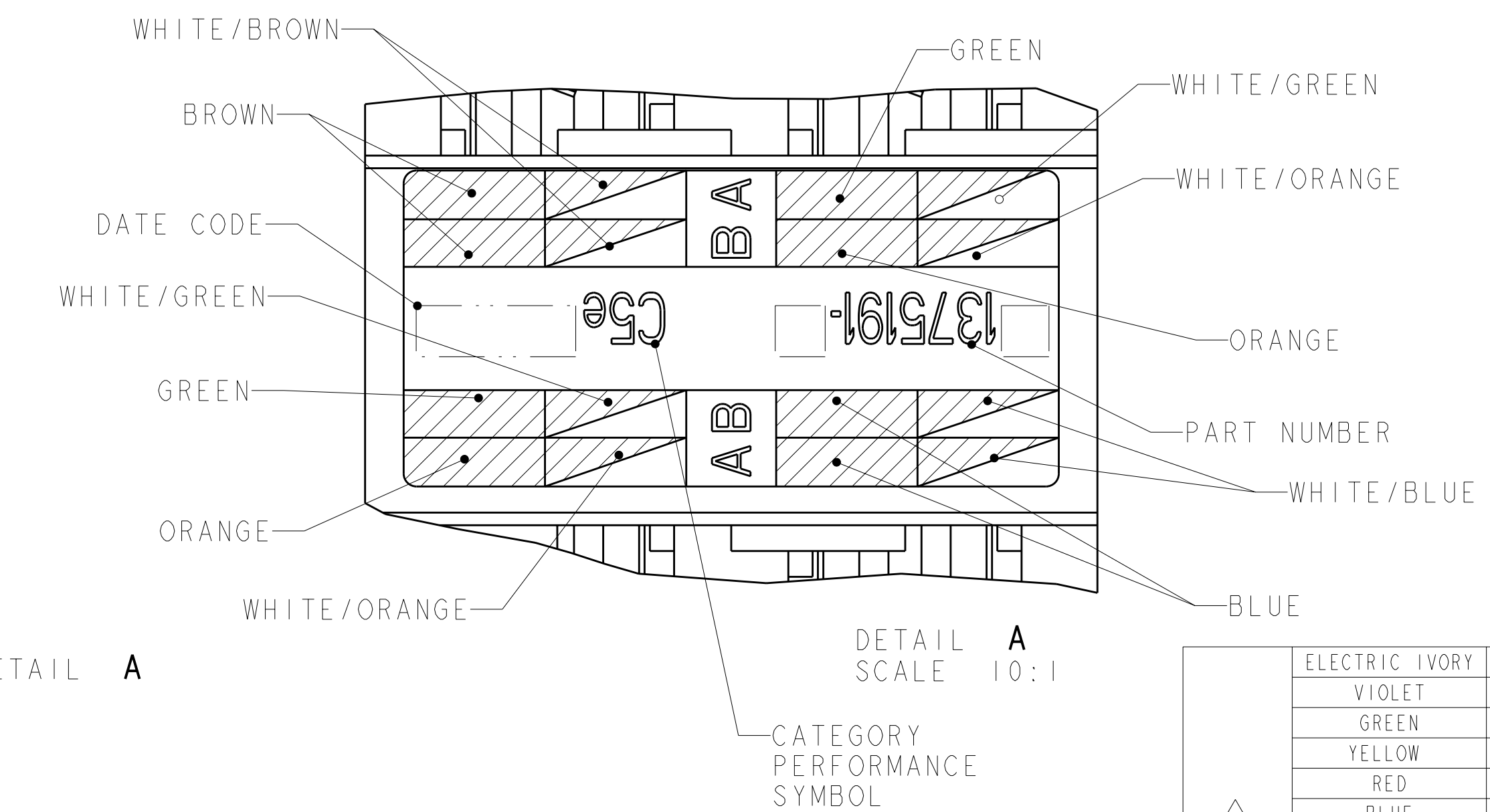
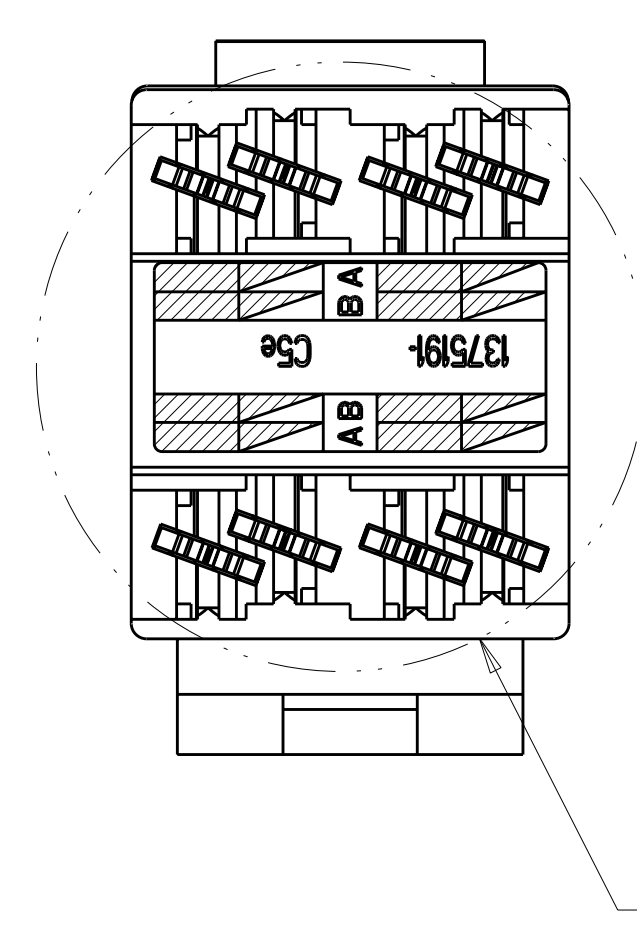
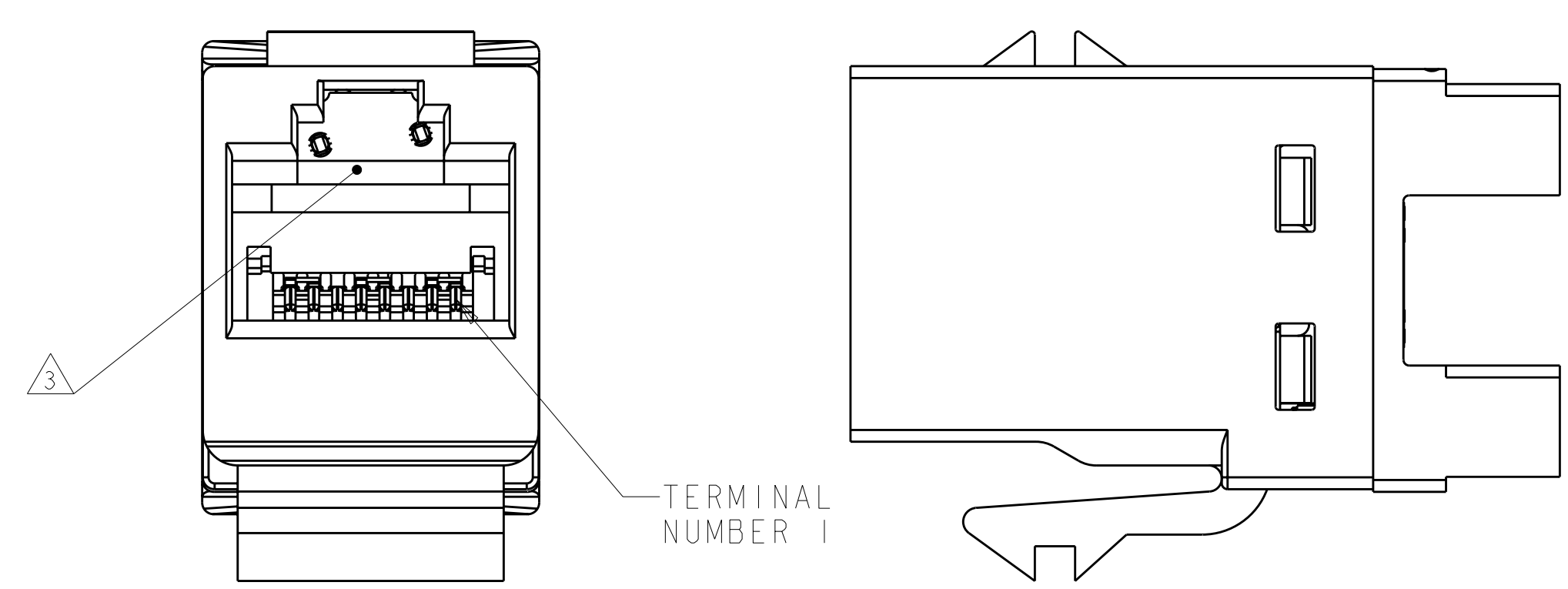


REV. NO.		REVISIONS			
LOC	DIST	REV	DATE	BY	APPV
HM	00	D	ECO-06-011626	30MAY2006	JM BM
		E	REV: ECO-06-025002	27OCT2006	GG BM
		F	REV: ECO-07-015835	13JUL2007	GG SA
		G	REV: ECO-08-029082	24NOV2008	JB SA



- 1. MATERIAL: JACK HOUSING - POLYPHENYLENE OXIDE, 94V-0 RATED. 110 BLOCK AND STRAIN RELIEF- POLYCARBONATE. ARRAY TRAY - PBT POLYESTER. JACK CONTACTS ARRAY - BERYLLIUM COPPER, PLATED WITH 1.27µm [.000050] MINIMUM THICK GOLD IN LOCALIZED AREA AND 3.81µm [.000150] MINIMUM THICK MATTE TIN IN BOARD INTERFACE AREA OVER 1.27µm [.000050] MINIMUM THICK NICKEL UNDERPLATE. IDC TERMINALS - PHOSPHOROUS BRONZE, PLATED WITH 3.81µm [.00015] MINIMUM THICK MATTE TIN OVER 1.27µm [.00005] MINIMUM THICK NICKEL UNDERPLATE.
- 2. SL 110 JACK WILL TERMINATE 22-24 AWG SOLID AND 24-26 AWG STRANDED CONDUCTORS, 1.27[.050] MAXIMUM INSULATION DIAMETER. JACK WILL ACCEPT CONDUCTORS UP TO 1.45 [.057] BUT REQUIRE THE USE OF A STRAIN RELIEF.
- 3. CAVITY CONFORMS TO FCC RULES AND REGULATIONS) PART 68 SUBPART F REQUIREMENTS.
- 4. MOUNTING PANEL THICKNESS 1.47 - 1.60 [.058 - .063].
- 5. THESE TWO SUGGESTED CUTOUT OPENINGS ARE USED IN TANDEM WITH DUAL FRONT AND BACK CUTOUTS.
- 6. ONE MODULAR JACK ASSEMBLY AND ONE STRAIN RELIEF PER POLYBAG.
- 7. USE OF STRAIN RELIEF IS OPTIONAL.
- 8. REFER TO 408-8858 FOR TERMINATION INSTRUCTIONS USING SL SERIES TOOL TERMINATION. REFER TO 408-8417 FOR TERMINATION INSTRUCTIONS USING 110 PUNCH DOWN TOOL.
- 9. TWENTY-FIVE MODULAR JACKS PER POLYBAG.

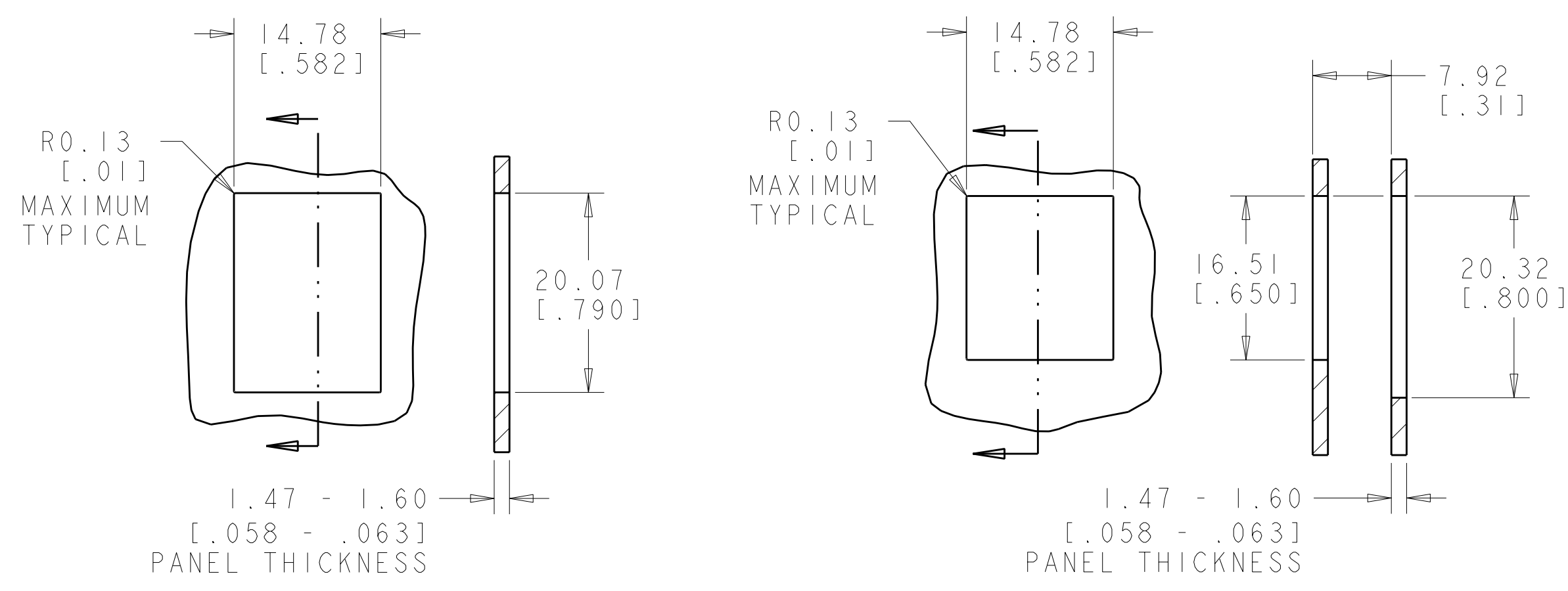


COLOR CODE	IDC TERMINAL	MODULAR JACK	
WHITE/BLUE			5
BLUE			4
WHITE/ORANGE			3
ORANGE			6
WHITE/GREEN			1
GREEN			2
WHITE/BROWN			7
BROWN			8

ELECTRICAL SCHEMATIC T568A

COLOR CODE	IDC TERMINAL	MODULAR JACK	
WHITE/BLUE			5
BLUE			4
WHITE/ORANGE			1
ORANGE			2
WHITE/GREEN			3
GREEN			6
WHITE/BROWN			7
BROWN			8

ELECTRICAL SCHEMATIC T568B



HOUSING COLOR	PART NUMBER
ELECTRIC IVORY	3-1375191-1
VIOLET	3-1375191-0
GREEN	2-1375191-9
YELLOW	2-1375191-8
RED	2-1375191-7
BLUE	2-1375191-6
ORANGE	2-1375191-5
NEMA GRAY	2-1375191-4
WHITE	2-1375191-3
BLACK	2-1375191-2
LIGHT ALMOND	2-1375191-1
ELECTRIC IVORY	1-1375191-1
VIOLET	1-1375191-0
GREEN	1375191-9
YELLOW	1375191-8
RED	1375191-7
BLUE	1375191-6
ORANGE	1375191-5
NEMA GRAY	1375191-4
WHITE	1375191-3
BLACK	1375191-2
LIGHT ALMOND	1375191-1

DIMENSIONS: MM [Inches]		TOLERANCES UNLESS OTHERWISE SPECIFIED:		DWN T. PITTS 05NOV01 CHK L. SMITH 15NOV01 APVD C. DOOLEY 15NOV01		<b>tyco</b> <b>Electronics</b> Tyco Electronics Harrisburg, PA 17105-3608	
MATERIAL:		FINISH:		PRODUCT SPEC 108-1990 APPLICATION SPEC 108-1990-2		NAME ASSEMBLY, SL 110 JACK, CATEGORY 5e	
WEIGHT:		SIZE:		CAGE CODE:		DRAWING NO:	
CUSTOMER DRAWING		SCALE: 4:1		SHEET 1 OF 1		REV G	