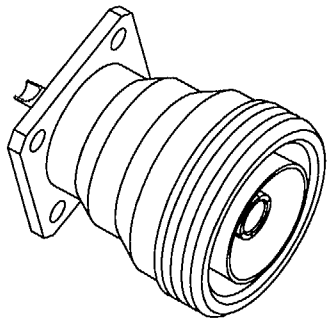


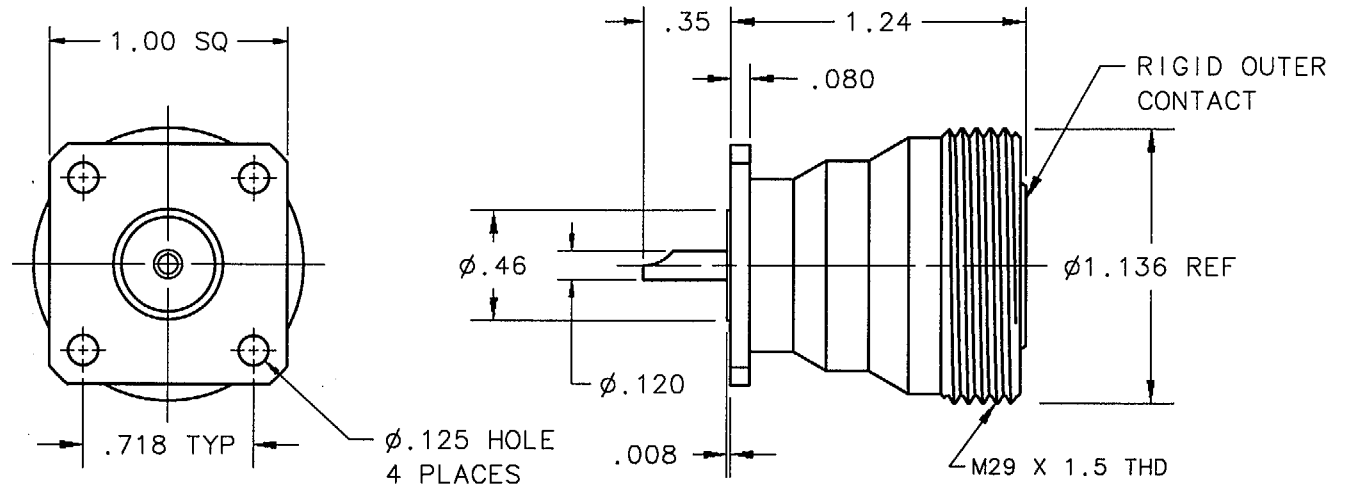
DWG. NO

TRU-7666-SSXR

THIS DOCUMENT AND INFORMATION CONTAINED HEREIN ARE THE PROPERTY OF TRU-CONNECTOR CORP. REPRODUCTION OR USE THEREOF, IN WHOLE OR PART, IS PROHIBITED WITHOUT THE WRITTEN CONSENT OF TRU-CONNECTOR CORPORATION.



(APPROX. FULL SCALE)



ELECTRICAL:

IMPEDANCE: 50 OHMS NOMINAL
 VOLTAGE RATING: 1,000 VRMS
 DIELECTRIC WITHSTANDING VOLTAGE: 2,500 VRMS
 INSULATION RESISTANCE: 10,000 MEGOHMS MIN


INTERMODULATION: > -155 dBc NOMINAL

POWER HANDLING: 100 MHz 5.0 kw
 1 GHz 1.8 kw
 4 GHz 0.9 kw

OPERATING TEMPERATURE: -65°C to +165°C

Mating interface conforms to:
 IEC 169-4, DIN 47223

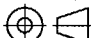
MATERIAL	INSULATOR - TEFLON FEMALE CONTACT - BERYLLIUM COPPER OUTER CONTACT - PHOSPHOR BRONZE OTHER METAL PARTS - BRASS
FINISH	ALL METAL PARTS - SILVER PLATED



CAGE-92180

TRU-CONNECTOR CORPORATION

245 LYNNFIELD STREET
 PEABODY, MASSACHUSETTS 01960
 phone: 978-532-0775
 fax: 978-531-6993
 E-mail: trusales@tru-con.com

DESCRIPTION				
SERIES: 7-16 (f) RECEPTACLE, FRONT MOUNTING with 1" PANEL & RIGID OUTER CONTACT				
CABLE ACCOMMODATION				
ϕ.095 MAX WIRE				
DRAWN BY	DATE	SCALE	CHKD. BY	FILE AS
WWW	9-4-98	1.5X	<i>PAJ</i>	TRU-7666-SSXR
REFERENCE		THIRD ANGLE PROJECTION	DWG. NO.	
			TRU-7666-SSXR	