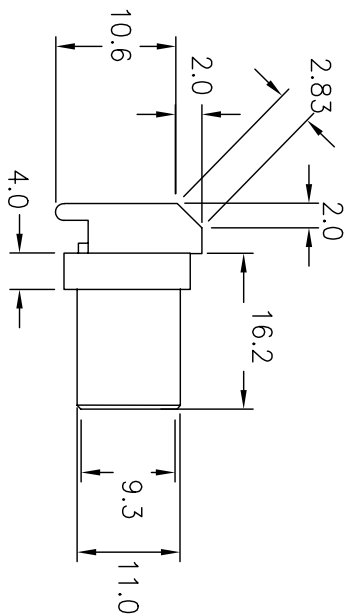
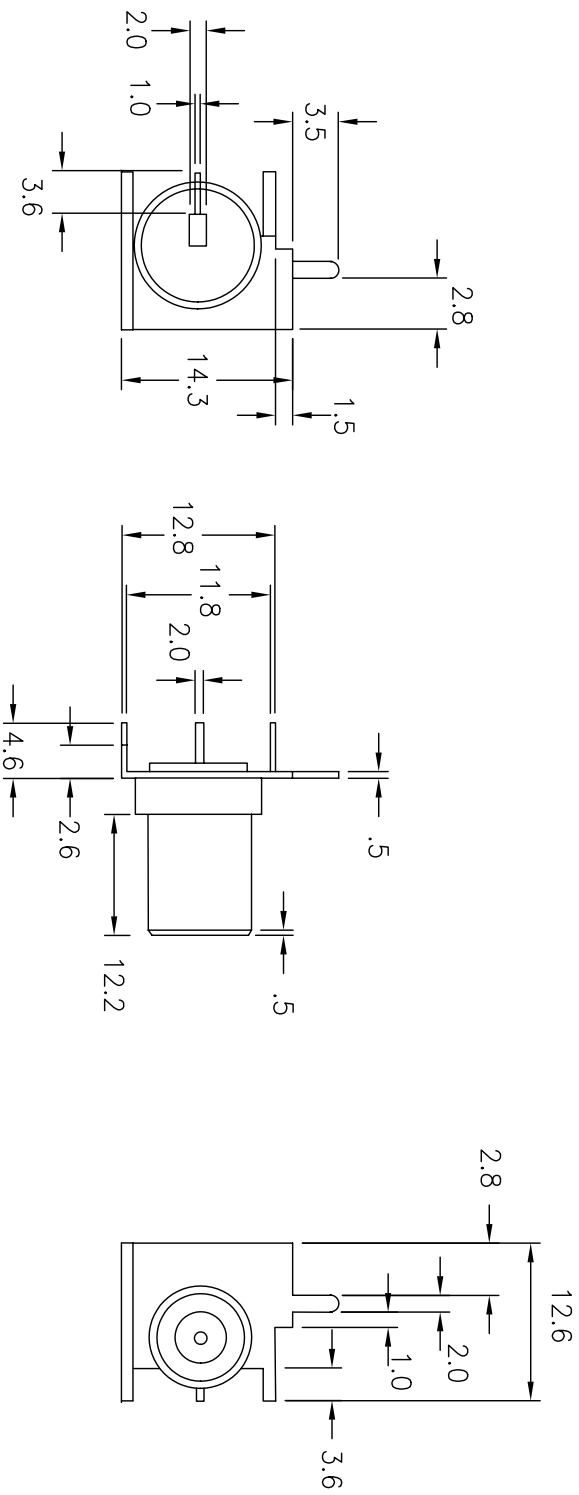


Rev	AWO #	Description	Date	Appr
-	924	RELEASED	08/05/04	BAS

APPROVED: \_\_\_\_\_  
 DATE: \_\_\_\_\_ TITLE: \_\_\_\_\_



**SPECIFICATIONS:**

Material:  
 Insulator: Delron  
 Contact: Beryllium copper  
 Body: Brass.  
 Electrical:  
 Nominal Impedance: 75 ohms  
 Frequency range: 0-3 GHz  
 Maximum peak voltage: 500V  
 Insulation resistance: 5000 Mohm min @ 500 VDC  
 Dielectric withstanding voltage: 1500 VAC rms  
 Temp range: -40°C to +140°C  
 Return loss: 15db at 1GHz

UNLESS OTHERWISE SPECIFIED  
 ALL DIMENSIONS ARE MM [INCHES]  
 TOLERANCES EXCEPT AS NOTED  
 INCHES

.X	± .10	ØXX	± .10
.XX	± .020	ØXXX	± .015
.XXX	± .015	ØXXXX	± .010

**ADAM TECH**

909 Rahway Avenue, Union, NJ 07083  
 Phone: 908-687-5000 Fax: 908-687-5710

TITLE: FEMALE F CONNECTOR PCB MOUNT 75OHM

APPROVALS	DATE
DRAWN BAS	08/05/04
CHECKED	
APPROVED	

SIZE	PART NO.	REV.
X	RF4-19-D-00-75	-

SCALE: NTS SHEET 1 OF 1