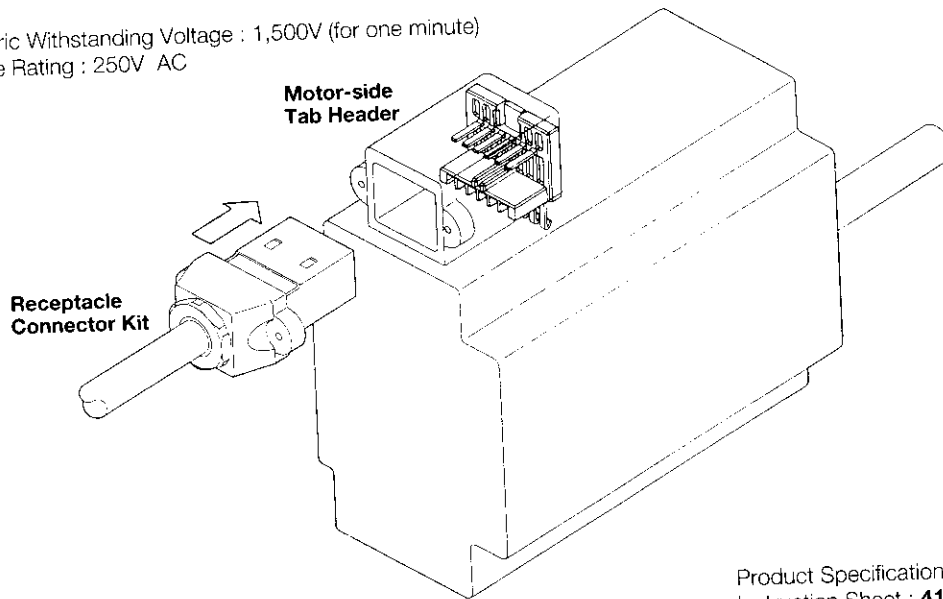


Wire to Board Connectors

Dynamic Series Connectors/D-3000 Series

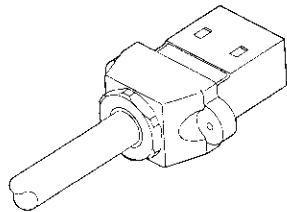
D-3700—Connectors for Exclusive Use with Servo Motor

Appearance Dielectric Withstanding Voltage : 1,500V (for one minute)
Voltage Rating : 250V AC



Product Specification : 108-5324
Instruction Sheet : 411-5747

Receptacle Connector Kit



Part Number Chart

No. of Pos.	W/O Contact	Contact (P/N1-175218-2) including 6 contacts	Remarks
6	176346-7	176346-8	Products with TÜV
	1-176346-7	1-176346-8	

Applications

Typical Application on Servo Motor / Servo Driver

