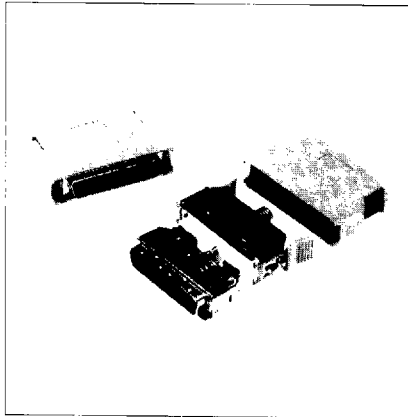


DHA Series



● SCSI Terminators

Unit : mm (inch)



SPECIFICATIONS

Voltage Rating.....5V DC (normal)
5.25V max.
Current Rating.....500mA max. (power)
30mA max. (signal)
Operating14°F to 140°F
Temperature (-10°C to +60°C)
Continuous1.9W max.

MATERIAL/FINISH

InsertLCP resin (UL94V-0)/Black
ContactCopper alloy/Gold plating
Hood.....ABS resin (UL94V-0)/Beige

Ordering Information

DHA-T50-B311

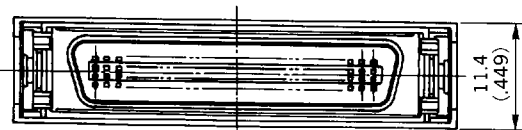
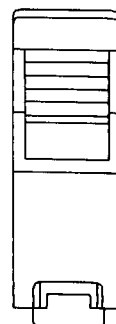
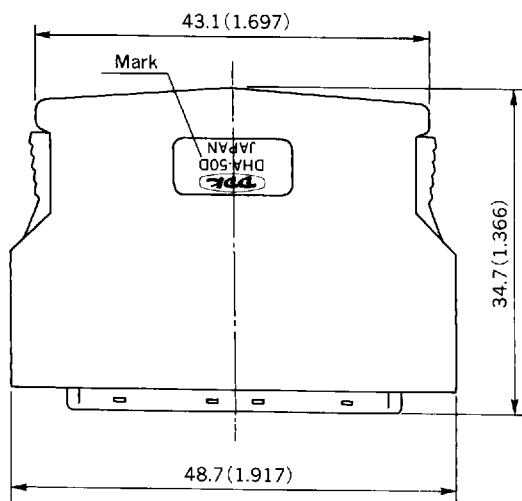
NO. OF CONTACTS : 50

ELECTRIC CIRCUIT

- A: Less capacitor single end passive type
- B: With capacitor single end passive type
- D: Single end active type

CONTACT PLATING

- 1: 0.76 μ m (30" μ) Gold over Nickel
- 2: 0.25 μ m (10" μ) Gold over Nickel
- 3: Gold flash over Nickel
- 4: 0.5 μ m (20" μ) Gold over Nickel



● Mark

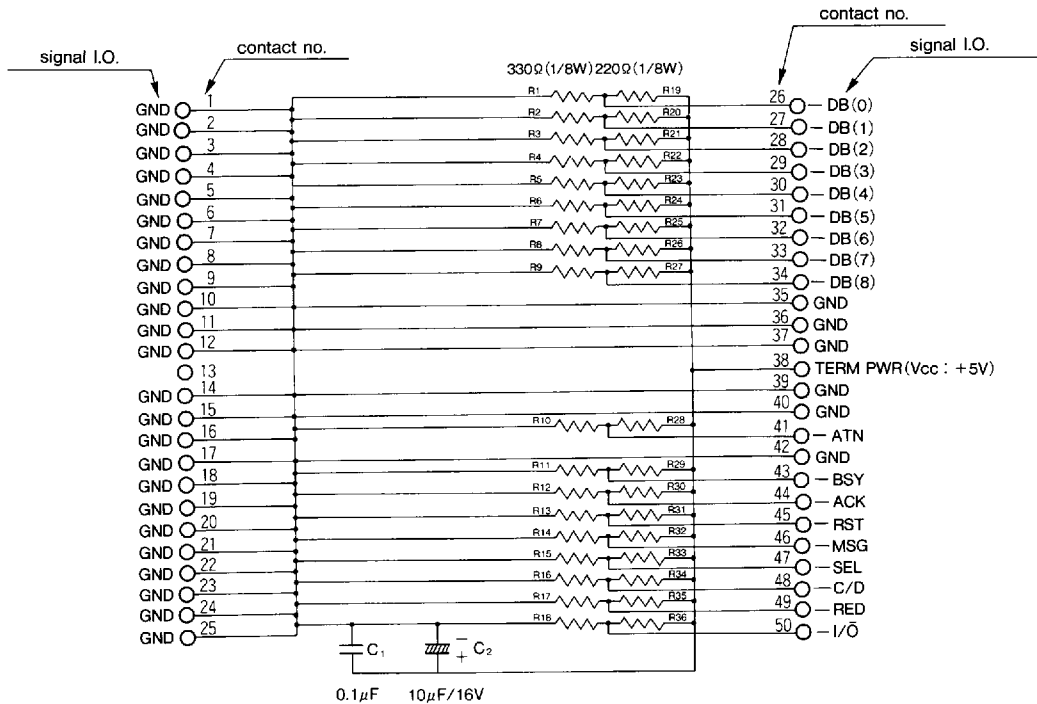
- No designation: Less capacitor passive type
- B : With capacitor passive type
- D : Active type

9008844 0000668 282

DHA Series

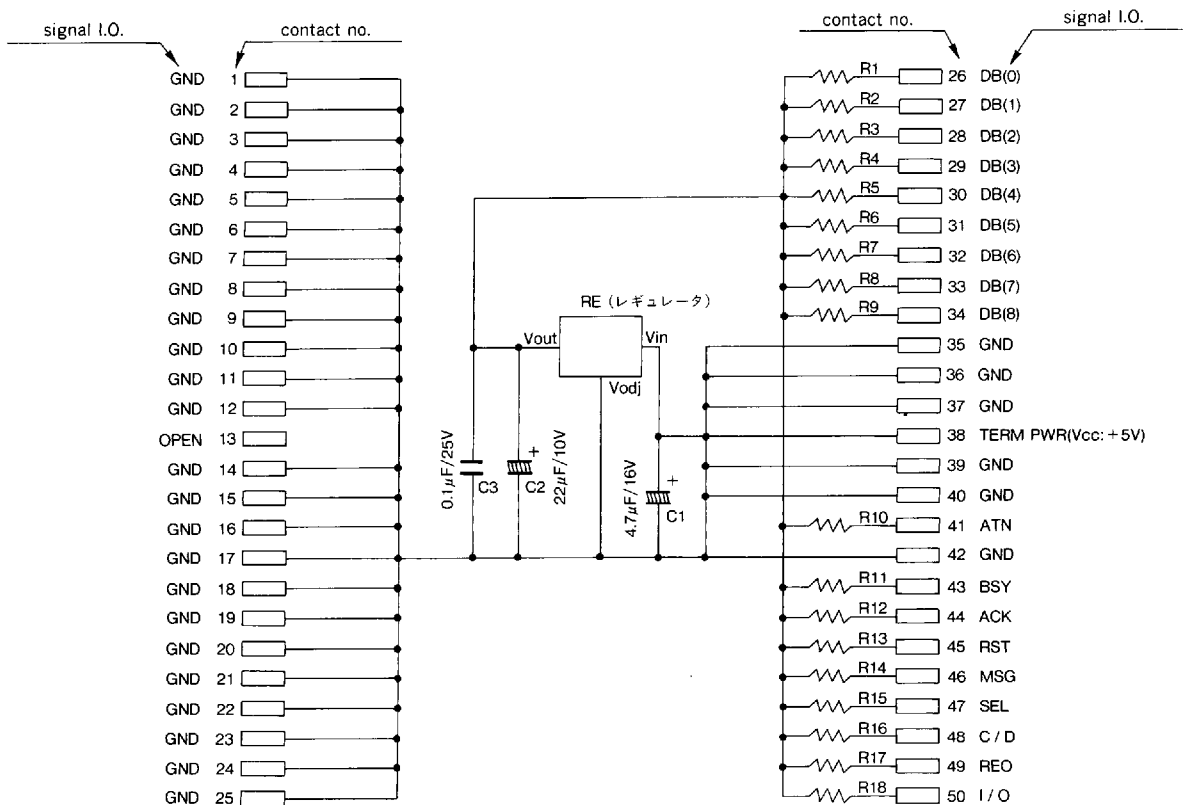


P/N : DHA-T50-Bx11 (with capacitor single end passive type)



P/N : DHA-T50-Ax11 (Less capacitor single end passive type)

P/N : DHA-T50-Dx11 (Single end active type)



9008844 0000669 119