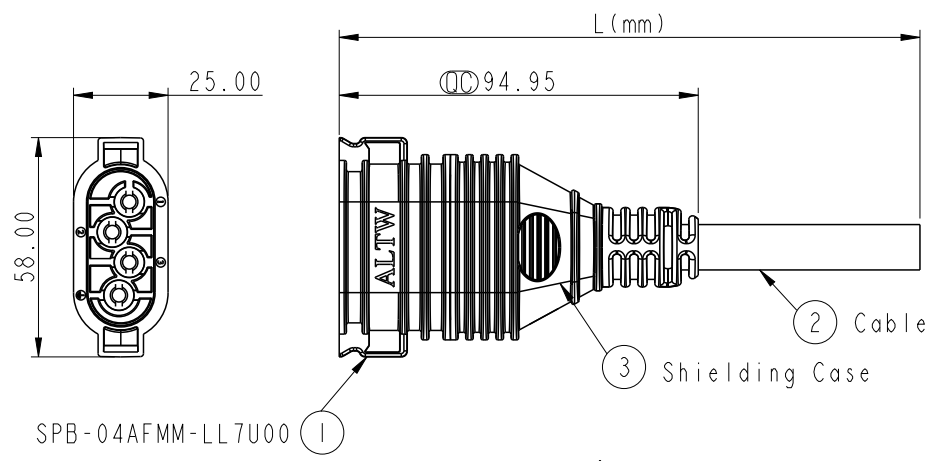
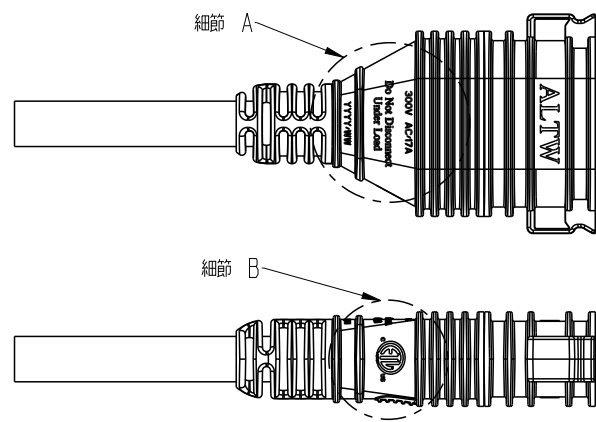


THIS DOCUMENT IS SUBJECT TO CHANGE WITHOUT NOTICE. IT IS CONFIDENTIAL AND A PROPERTY OF AMPHENOL LTW. DISCLOSURE TO THIRD PARTY HAS TO BE AUTHORIZED BY AMPHENOL LTW.

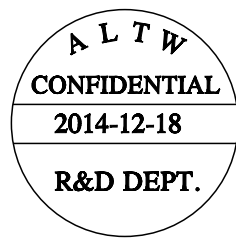
REV.	ECN NO.	DATE	SIGN	DESCRIPTION
B	LEN14C0474-77	2014/12/18	Angus	Delete O ring And Modify Portion Note



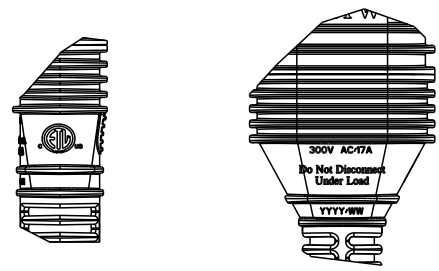
SPB-04AFMM-LL7U00 ①

SPB-04AFMM-LL7RXX

XX:01~99Meter
 01:01Meter
 02:02Meter
 :
 :
 :
 99:99Meter
 Cable Length(L):01~99Meters

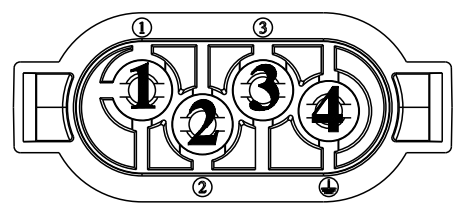


- Note:**
- * Ⓞ Important Dimension.
 - * Vibration : 5 ~ 55 HZ
 - * Pollution Degree : III
 - * Waterproof Rate: IP67
 - * Housing: M-PPE, Black
 - * Male Pin: Copper Alloy, Tin Plated
 - * Cable: TC-ER 12#*4C+Filler, PVC Jacket, UV Resistant, Black, OD=12.0mm
 - * Ambient: -40~85°C
 - * Avoid oil and gasoline.
 - * Connector Operating Temperature: -40~105°C
 - * Working Voltage Rating: MAX 300V AC
 - * Working Current Rating: 17A
 - * Withstanding Voltage: 6kV
 - * Cable Operating Temperature: -40~+90°C (Static Application)
 - * -25~+90°C (Occasionally Moving)
 - * Disassembly-By the unlock tool.
 - * Cable Length Tolerance: 01M:±40mm
 02M~05M:±60mm
 06M~10M:±100mm
 11M~30M:±200mm
 31M~99M:±500mm



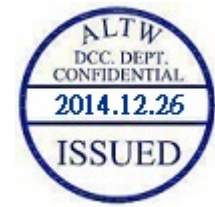
細節 B 細節 A

Ⓞ Laser Mark:
 XX=Customized Cable Length
 YYYY=Year
 WW=Week



Pin Assignments
Front View

Green	Ⓞ 綠	4
Red	紅	3
White	白	2
Black	黑	1
Wire Color	Conn	
Pin Out		



UNIT:mm	
TOLERANCE	
±0.5	

TITLE CABLE LOCK 4PIN F CONN M PIN			
SCALE 1:2	SIZE A4	SHEET 1 OF 1	
REV. B	WC-REV. A.9	Ⓞ: Inspection item	

Amphenol LTW
 安費諾亮泰企業股份有限公司

ITEM NO	DRAWN BY Angus	DATE 2014/12/18
DWG NO SPB-04AFMM-LL7RXX	CHECKED BY George	DATE 2014/12/18
CUSTOMER ALTW	APPROVED BY Denys	DATE 2014/12/18