

M50194P

SINGLE CHIP DIGITAL REVERBERATION

DESCRIPTION

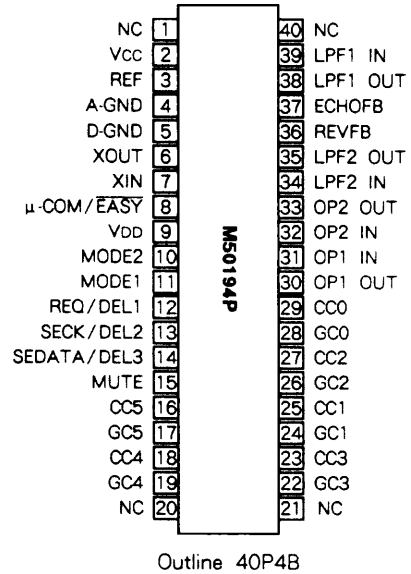
The M50194P is a digital reverberation IC fabricated with silicon-gate CMOS technology.

The M50194P can mix each five delays and these delays can make reverberation of church or bathroom. And so the M50194P is an one chip of needing of reverberation, includes an A-D, D-A converter (ADM) and memory that can be obtained a reverb system.

FEATURES

- Includes an A-D, D-A converter (Adaptive Delta Modulation), two low pass filters and a 20K-bit SRAM, making it possible to form a low cost digital delay system.
- Low noise, Low distortion
 - Surround mode : Noise(-90dBV typ), Distortion(0.3% typ)
 - Echo mode : Noise(-90dBV typ), Distortion(1.8% typ)
- Delay times :
 - ① Surround mode.....4.1~41msec (eight steps)
 - ② Echo mode..... 20.5~163.8msec (eight steps)
 - ③ Reverb mode...Short mode and long mode (five lines)
- Delay time and mode can be controlled by μ -COM or manual setting
- Includes auto mute circuit to protect sound from digital noise caused by delay time mode change or power on
- Two control modes can be selected for delay time and mode setting, easy mode control by 5-bit parallel data and μ -COM mode control by serial data.
- Includes auto reset circuit

PIN CONFIGURATION (TOP VIEW)



NC : NO CONNECTION

APPLICATION

Karaoke, TV, VCR, Surround processor, Electronic instrument

RECOMMENDED OPERATING CONDITIONS

Supply voltage range.....4.5~5.5V
 Rated supply voltage.....5V

BLOCK DIAGRAM

