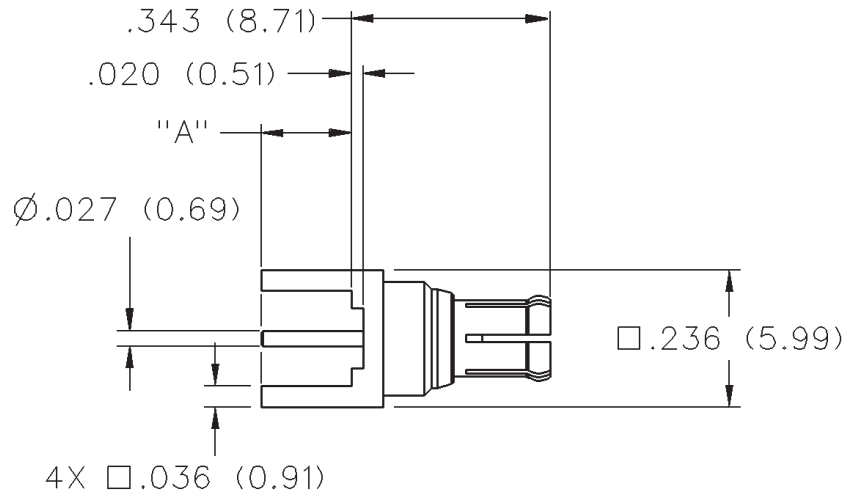
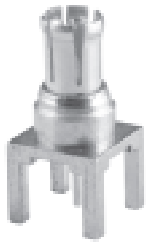


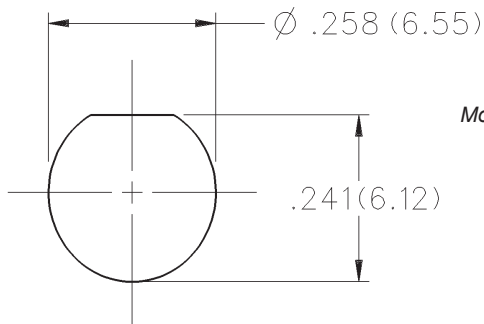
MCX 75 Ohm Straight Plug Receptacle



INCHES (MILLIMETERS)
CUSTOMER DRAWINGS AVAILABLE UPON REQUEST



| GOLD PLATED | "A" | "B" |
|--------------|-------------|-------------|
| 133-8801-211 | .110 (2.70) | .343 (8.71) |



Mounting hole layout

MCX - 75 Ohm Connectors



Specifications

INCHES (MILLIMETERS)
CUSTOMER DRAWINGS AVAILABLE UPON REQUEST

ELECTRICAL RATINGS

Impedance: 75 Ohms

Frequency Range: 0-6 GHz

VSWR: (f = GHz)

| | Straight Cabled Connectors | Right Angle Cabled Connectors |
|------------------------------------|----------------------------|-------------------------------|
| RG-179 cable | 1.13 + .04f | 1.07 + .04f |
| In-series adapters | 1.07 + .03f | |
| Between series adapters, loads ... | 1.05 + .01f | |
| Matching pad | 1.05 + .05f | |
| Uncabled receptacles | N/A | |

Working Voltage: (Vrms maximum)†

| Connectors for Cable Type | Sea Level | 70K Feet |
|--------------------------------------|-----------|----------|
| RG-179 | 335 | 85 |
| Uncabled receptacles, adapters | 335 | 85 |
| Loads, matching pad | N/A | |

Dielectric Withstanding Voltage: (VRMS minimum at sea level)

| | |
|--------------------------------------|------|
| Connectors for RG-179 | 1000 |
| Uncabled receptacles, adapters | 1000 |
| Loads, matching pad | N/A |

Corona Level: (Volts minimum at 70,000 feet)†

| | |
|--------------------------------------|-----|
| Connectors for RG-179 | 250 |
| Uncabled receptacles, adapters | 250 |
| Loads, matching pad | N/A |

Insertion Loss: (dB maximum, tested at 1 GHz)

| | |
|----------------------------------------------------|--------|
| Straight cable connectors | 0.1 dB |
| Right angle cable connectors | 0.2 dB |
| Uncabled receptacles, adapters, matching pad | N/A |

Insulation Resistance: 10,000 megohms minimum

Contact Resistance: (millionths maximum)

| | Initial | After Environmental |
|-------------------------------------------------------------------------|---------|---------------------|
| Center contact (straight cabled connectors, uncabled receptacles) | 5.0 | 8.0 |
| Center contact (right angle cabled connectors) | 5.0 | 15.0 |
| Center contact (loads, matching pads) | N/A | |
| Outer contact | 1.0 | 1.5 |
| Braid to body (gold plated connectors) | 1.0 | N/A |

RF Leakage: (dB typical tested at 2.5 GHz)

| | |
|------------------------------------------------------------|----------------|
| Cable connectors | -55 dB typical |
| Uncabled receptacles, adapters, loads, matching pads | N/A |

RF High Potential Withstanding Voltage: (Vrms minimum, tested at 4 and 7 MHz)†

| | |
|--------------------------------------|-----|
| Connectors for RG-179 | 700 |
| Uncabled receptacles, adapters | 600 |
| Loads, matching pad | N/A |

Power Rating: (Loads and matching pad only) 1.0 watt at +25°C derated linearly to 0.5 watt at +125°C

MECHANICAL RATINGS

Engagement Design: Compatible with CECC 22220, Series MCX 50 Ohm

Engagement Force: 5.6 pounds maximum axial force

Disengagement Force: 8 pounds maximum axial force, 1 pound min.

Contact Retention: 2.3 pounds min. axial force (captivated contacts)

1 inch-ounce min. torque (uncabled receptacles)

Cable Retention:

| | Axial Force* (pounds) | Torque (in-oz) |
|-------------------------------|-----------------------|----------------|
| Connectors for RG-179 | 20 | N/A |
| Connectors for RG179 DS | 25 | N/A |

*or cable breaking strength whichever is less

ENVIRONMENTAL RATINGS (Meets or exceed the applicable paragraph of MIL-C-39012)

Durability: 500 cycles minimum

Temperature Range: All connectors: - 65°C to + 165°C

Loads and matching pads: - 65°C to + 125°C

Thermal Shock: MIL-STD-202, Method 107, Condition F

Temperature Coefficient: Loads and matching pad: +/- 300ppm/°C

Corrosion: MIL-STD-202, Method 101, Condition B

Shock: MIL-STD-202, Method 213, Condition B

Vibration: MIL-STD-202, Method 204, Condition B

Moisture Resistance: MIL-STD-202, Method 106

MATERIAL SPECIFICATIONS

Bodies: Brass per QQ-B-626, gold plated** per MIL-G-45204 .00001" min. Interface spring - beryllium copper per QQ-C-530, gold plated per MIL-G-45204 .00003" min.

Contacts: Male - brass per QQ-B-626 or beryllium copper per QQ-C-530, gold plated per MIL-G-45204 .00003" min.

Female - beryllium copper per QQ-C-530, gold plated per MIL-G-45204 .00003" min.

Insulators: PTFE fluorocarbon per ASTM D 1710 and ASTM D 1457

Expansion Caps: Brass per QQ-B-613, gold plated per MIL-G-45204 .00001" min.

Crimp Sleeves: Copper per WW-T-799, gold plated per MIL-G-45204 .00001" min.

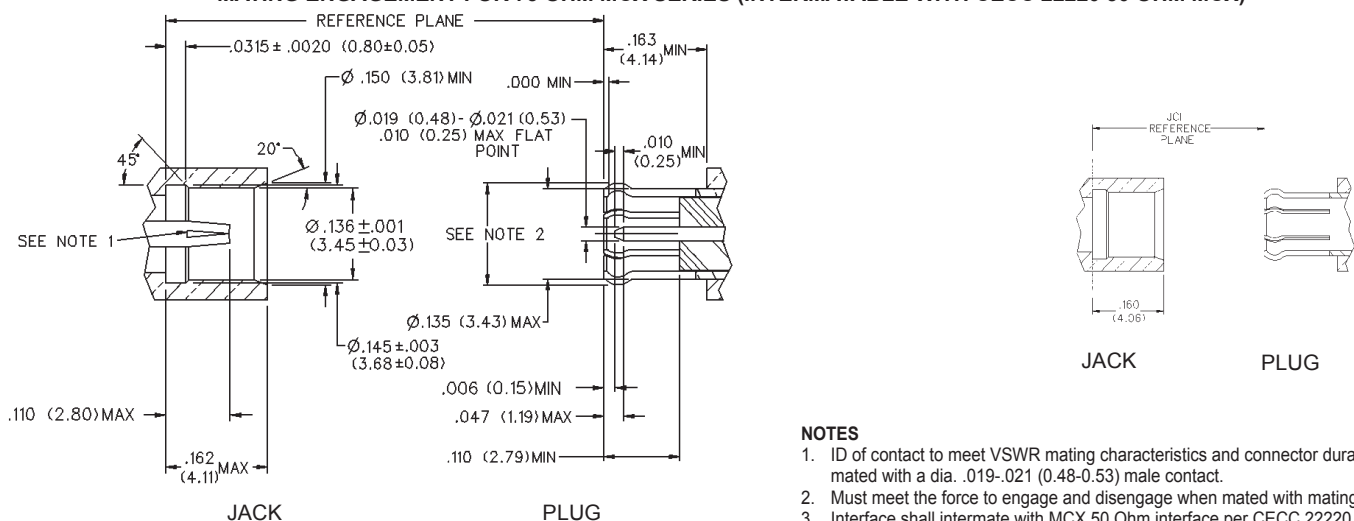
Mounting Hardware: Brass (nuts) per QQ-B-626 or phosphor bronze (lockwashers) QQ-B-750, gold plated per MIL-G-45204 .00001" min.

†Avoid user injury due to misapplication.

See safety advisory definitions inside front cover.

** All gold plated parts include a .00005" min. nickel underplate barrier layer.

MATING ENGAGEMENT FOR 75 OHM MCX SERIES (INTERMATEABLE WITH CECC 22220 50 OHM MCX)



NOTES

1. ID of contact to meet VSWR mating characteristics and connector durability when mated with a dia. .019-.021 (0.48-0.53) male contact.
2. Must meet the force to engage and disengage when mated with mating part.
3. Interface shall intermate with MCX 50 Ohm interface per CECC 22220.