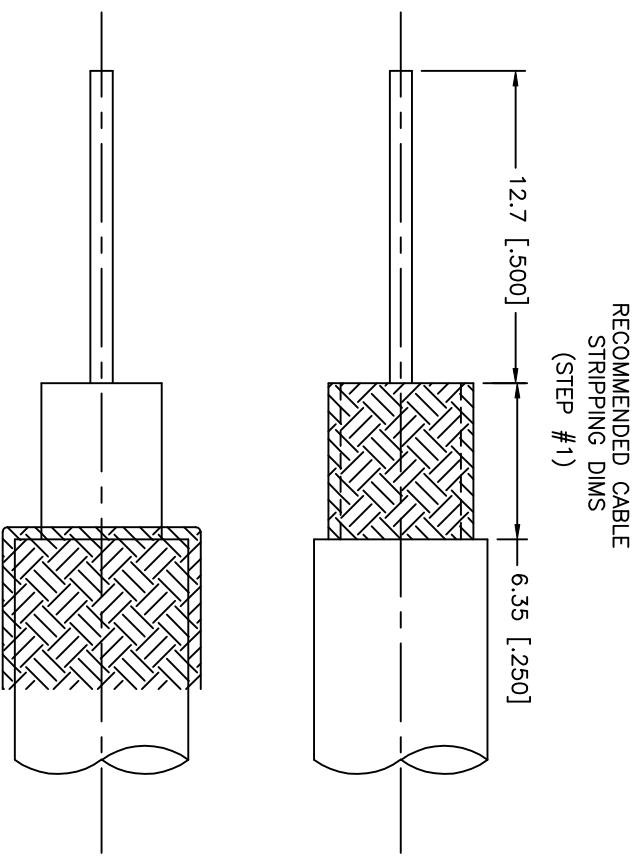
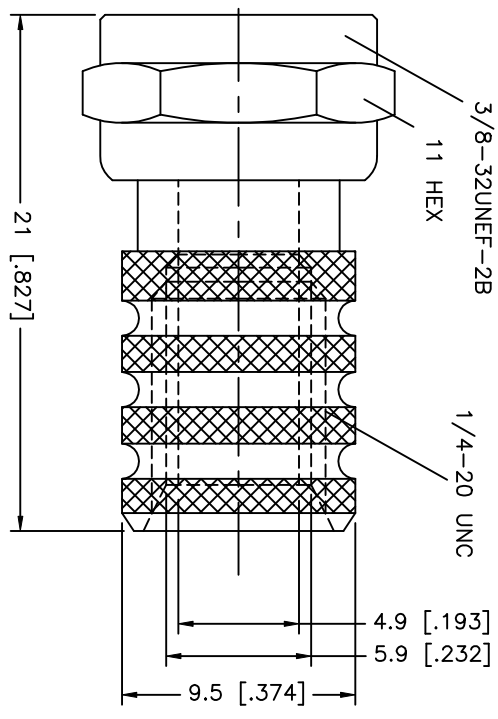


REV.	DATE	DESCRIPTION
A	09/10/02	ADD STRIPPING DIMENSIONS



8																			
7																			
6																			
5																			
4																			
3																			
2	SHELL	BRASS	NICKEL																
1	BODY	BRASS	NICKEL																
	DESCRIPTION	MATERIAL	FINISH																
				UNLESS OTHERWISE SPECIFIED DIMENSIONS ARE IN MILLIMETERS				APPROVALS				DATE							
				DIMENSIONS IN [] ARE IN INCHES FOR CUSTOMER REFERENCE ONLY				DRAWN G.R.S.				09/10/02							
				UNLESS OTHERWISE SPECIFIED TOLERANCES FOR INCHES ARE: .XXX = ± 0.005" .XX = ± 0.010" .X = ± 0.020"				CHECKED				ISSUED							
				DO NOT SCALE DRAWING				TITLE				F TWIST-ON PLUG							
								SIZE A				FSCM NO. 99001							
								SCALE NA				PART NO. 222160							
												DWG. NO. 222160.DWG							
												SHEET 1 OF 1							
												REV. A							
												Amphenol - Connex CONNECTOR CORPORATION							