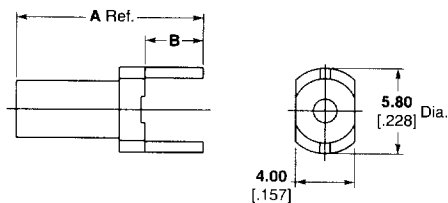
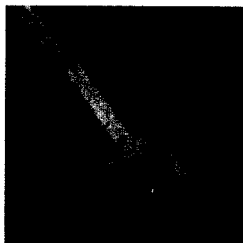


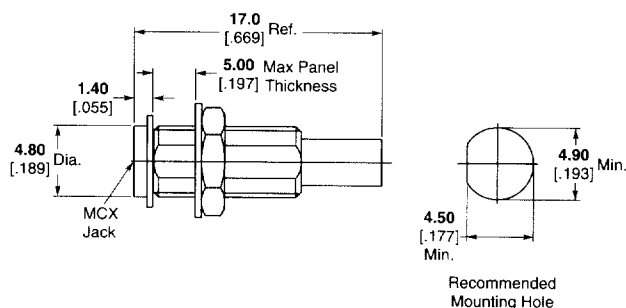
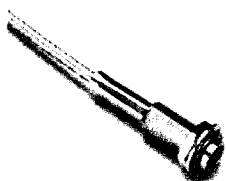
**MCX Connectors** (Continued)

**Straight Cable Terminal,  
PC Board, Without Center  
Contact**



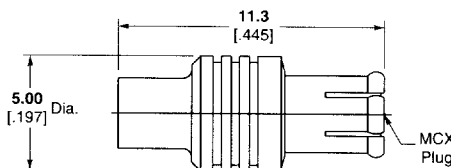
Cable	Dim. A	Dim. B	Plating	M/A-COM Model No.	Part No.
RG-174/U, 188/U, 316/U	11.76	3.94	Nickel	5818-5002-10	1060811-1
	.463	.155	Gold	5818-5002-09	1060811-2
	10.74	2.92	Nickel	5818-5003-10	1060813-1
	.423	.115	Gold	5818-5003-09	1060813-2
RG-178, 196/U	12.01	3.94	Nickel	5818-5004-10	1060815-1
	.473	.155	Gold	5818-5004-09	1060815-2
	11.00	2.92	Nickel	5818-5005-10	1060817-1
	.433	.115	Gold	5818-5005-09	1253777-1

**Bulkhead Cable Jack**



Cable	Plating	M/A-COM Model No.	Part No.
RG-178/U, RG-196/U	Nickel	5834-7396-10	1060884-1
	Gold	5834-7396-09	1060884-2
RG-188/U, RG-316/U	Nickel	5834-7388-10	1060883-1
	Gold	5834-7388-09	1060882-1
RD-316	Nickel	5834-7316-10	1060881-1
	Gold	5834-7316-09	1060881-2

**Straight Cable Plug,  
Direct Solder Attachment  
For Semi-Rigid Cable  
2.16 [.085] Dia.**



Cable	Plating	M/A-COM Model No.	Part No.
RG-405/U [.085]	Gold	5801-7985-09	1060772-1
.047	Gold	5801-7947-09	1060772-2