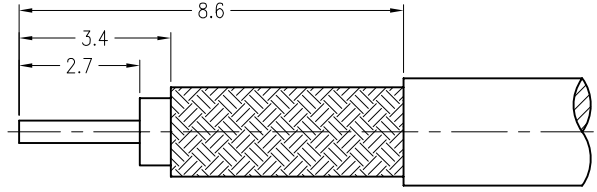
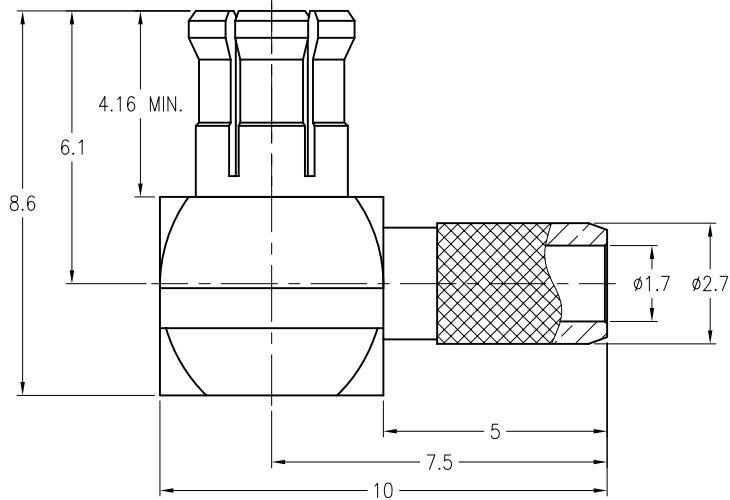
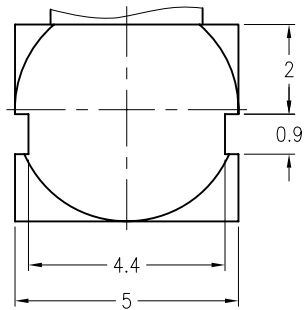


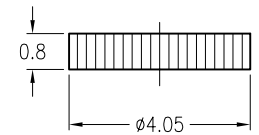
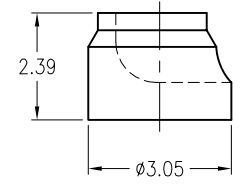
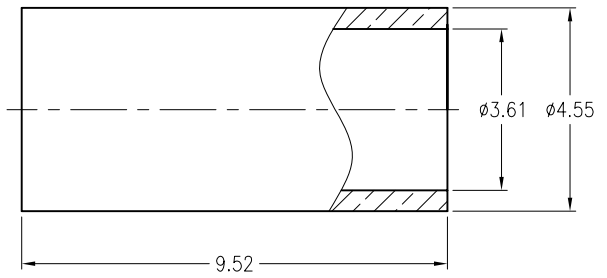
NOTES:

1. MATERIALS AND FINISHES:
 BODY - BERYLLIUM COPPER, GOLD PLATING
 CONTACT - BRASS, GOLD PLATING
 INSULATOR - PTFE & DELRIN
2. ELECTRICAL:
 A. IMPEDANCE: 50 OHM
 B. FREQUENCY RANGE: DC 0-6 GHz
 C. VSWR(RETURN LOSS): 1.5 MAX
 D. DIELECTRIC WITHSTANDING VOLTAGE: 1000 VRMS, MIN.
3. MECHANICAL:
 A. DURABILITY: 500 CYCLES MIN.
 B. TEMPERATURE RANGE: - 60°C to +165°C
4. CRIMPED FERRULE
 HEX CRIMP SIZE .151"
5. CONTACT PIN TO SOLDER

THIRD ANGLE PROJ.		REVISIONS			
REV	DESCRIPTION	DATE	ECO	APPR	
A	RELEASE TO MFG.	20-Dec-06	--	CISSY	
B	SEE SHEET 1.	14-Aug-08	47494	SH	



RECOMMENDED
CABLE STRIPPING DIM'S



CUSTOMER OUTLINE DRAWING
ALL OTHER SHEETS ARE FOR INTERNAL USE ONLY

UNLESS OTHERWISE SPECIFIED, DIMENSIONS ARE IN METRIC AND TOLERANCES ARE: 0.5 - 6mm ±0.1mm 6 - 30mm ±0.2mm 30 - 120mm ± 0.3mm ANGLES ±1°	MATERIAL	DRAWN C.WANG	DATE 20-Dec-06	TITLE MCX R/A CRIMP PLUG (FOR RG-316U/D)			Amphenol RF Danbury CT USA, Tainan Taiwan, Shenzhen China www.amphenolrf.com		
	REFERENCE	ENGINEER G.WANG	DATE 20-Dec-06	APPROVED S.HSIEH			DRAWING NO. MCX1112A1-009-5GPT8GP-50		
		CAD FILE F:\DWG\MCX\1112A1\009\50\5GPT8GP-BSZ	DATE 23-Dec-06	SCALE: 6/1	SHEET 2 OF 2	ITEM NO. 081112AAL35UE5F			
	FINISH		DWG SIZE B	CODE ID 74868	REV B	PART NO. 919-104P-51AJZ			

NOTICE - These drawings, specifications, or other data (1) are, and remain the property of Amphenol Corp. (2) must be returned upon request; and (3) are confidential and not to be disclosed to any person other than those to whom they are given by Amphenol Corp. The furnishing of these drawings, specifications, or other data by Amphenol Corp., or to any other person to anyone for any purpose is not to be regarded by implication or otherwise in any manner licensing, granting rights or permitting such holder or any other person to manufacture, use or sell any product, process or design, patented or otherwise, that may in any way be related to or disclosed by said drawings, specifications, or other data.