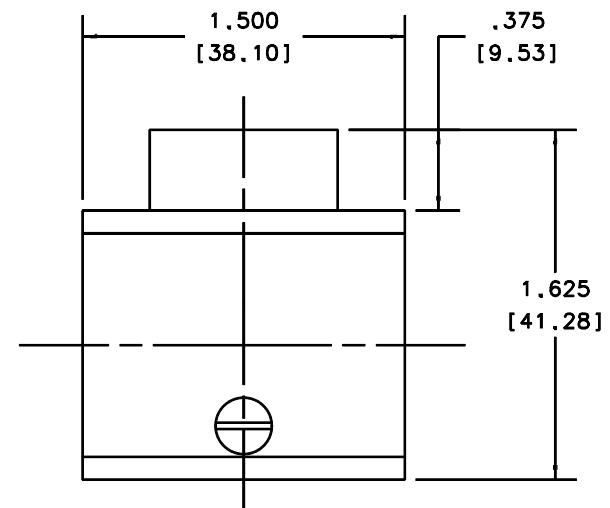
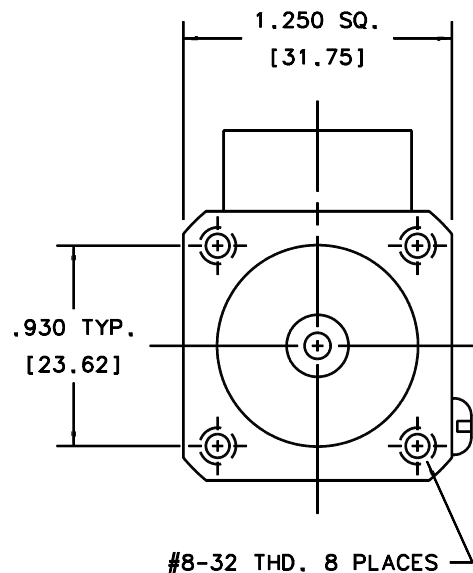
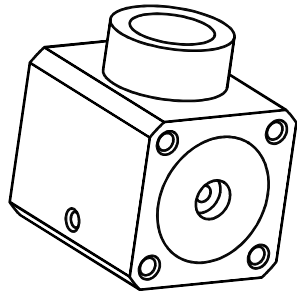


This document, including the design, configuration and mechanical features revealed herein are the sole, confidential and proprietary property of Tru-Connector Corporation. Reproduction or use thereof, in whole or part, is prohibited without the prior written consent of Tru-Connector Corporation.

REV	DESCRIPTION	DATE	APPROVAL
/	ORIGINAL ISSUE	10-30-96	RMK
A	CHANGE PER ECO 1781	12-18-01	DA



NOTES:

1. UNLESS OTHERWISE SPECIFIED; ALL DIMENSIONS ARE REFERENCE ONLY.
2. ACCEPTS TEKTRONIX P6015 1000X HIGH VOLTAGE PROBE.

Material:

BODY - BRASS
 CONTACT - BERYLLIUM COPPER
 INSULATOR - TEFLON

Finish:

BODY - NICKEL PLATED
 CONTACT - SILVER PLATED

UNLESS OTHERWISE SPECIFIED:

DIMENSIONS ARE IN INCHES
 CHAMFER FIRST THREAD 45°
 DIMENSIONS BEFORE PLATING

TOLERANCES:
 FRACTIONS: ±1/64
 .XX ±.01
 .XXX ±.005
 ANGLES: ±1/2°
 MACHINED SURFACES $\sqrt{}$

THIRD ANGLE PROJECTION

DRAWN BY	JDW	DATE	10-30-96
ENG APPROVAL	RMK	DATE	10-30-96
MFG APPROVAL		DATE	
OTHER APPROVAL		DATE	

REFERENCE

AMAT
 0720-03242



TRU-CONNECTOR CORPORATION
 245 LYNNFIELD STREET
 PEABODY, MASSACHUSETTS

TITLE

QC(f-f) ADAPTER
 /W PROBE SOCKET

SIZE	CAGE CODE	DWG NO.	REV
A	92180	TRU-6965	A

CAD FILE: SCALE 1.2X SHEET 1 of 1