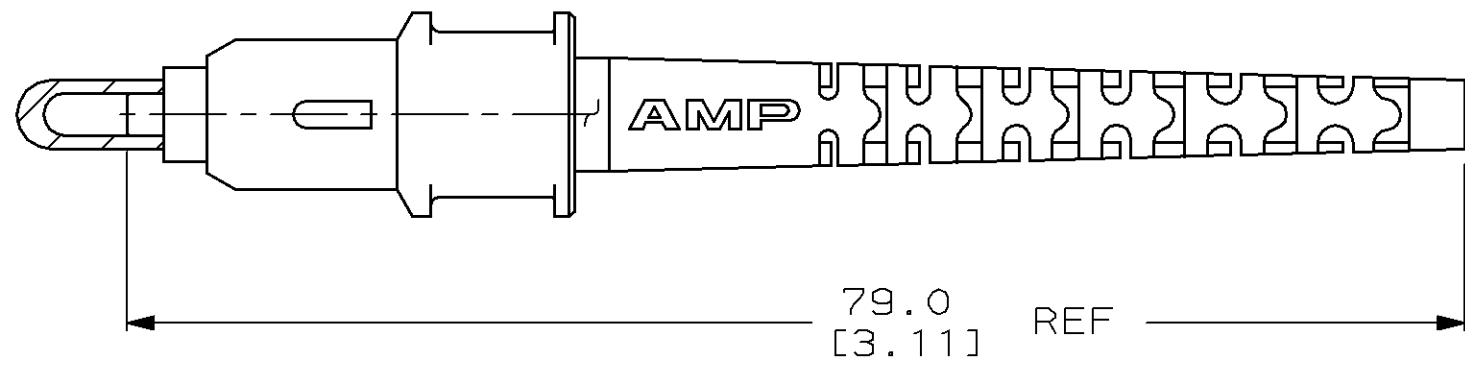
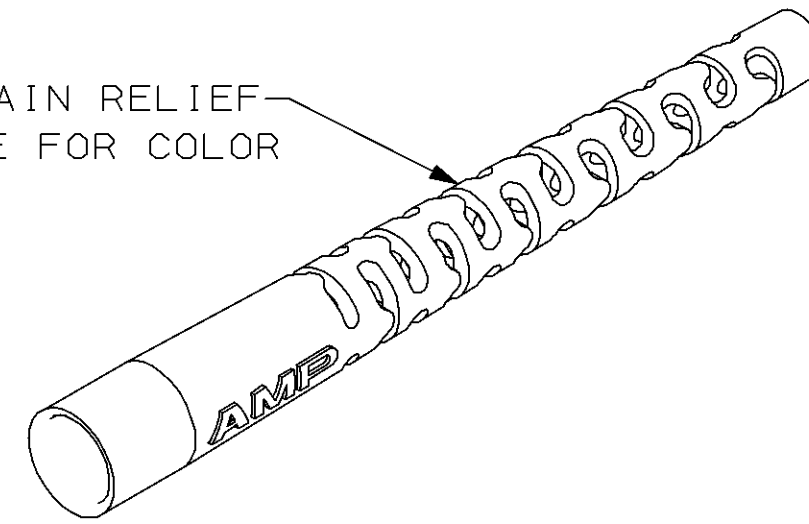


THIS DRAWING IS UNPUBLISHED. RELEASED FOR PUBLICATION ,19 .
 © COPYRIGHT 19 BY AMP INCORPORATED. ALL INTERNATIONAL RIGHTS RESERVED.

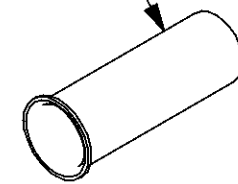
LOC	DIST	P	F	ZONE	LTR	REVISIONS	DATE	APPD
CE	16					DESCRIPTION		
					D	REVISE PER 0A00-0295-96	6-14-96	BB/BP



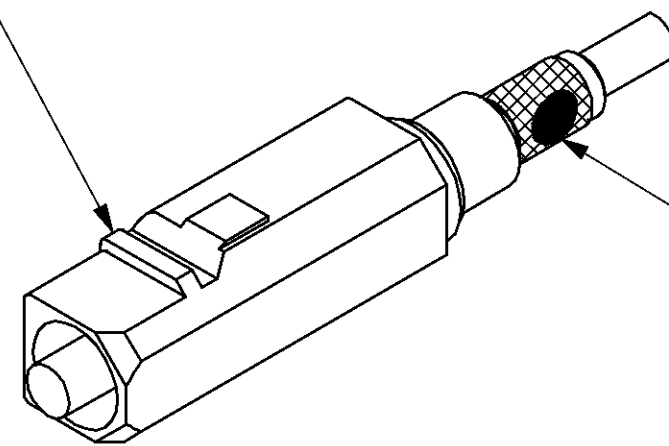
STRAIN RELIEF
SEE TABLE FOR COLOR



CRIMP EYELET

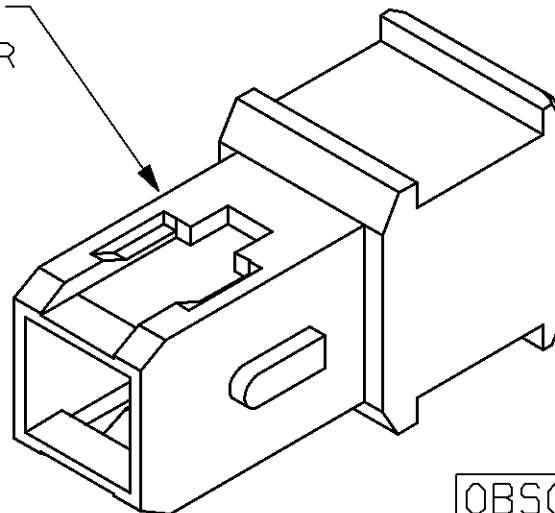


PLUG ASSY
SEE TABLE FOR COLOR

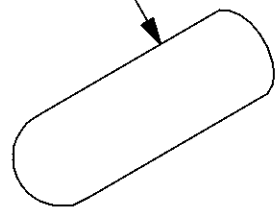


COLOR DOT
SEE TABLE FOR COLOR

CONNECTOR HOUSING
SEE TABLE FOR COLOR



DUST COVER



OBSOLETE	BEIGE	BEIGE	BEIGE	BLUE	127µm	502628-9
SUPERCEDE BY 504646-2	BEIGE	BEIGE	BEIGE	RED	126µm	502628-8
SUPERCEDE BY 504646-1	BEIGE	BEIGE	BEIGE	YELLOW	125µm	502628-7
OBSOLETE	BLUE	BEIGE	BLUE	BLUE	127µm	502628-6
SUPERCEDE BY 504646-2	BLUE	BEIGE	BLUE	RED	126µm	502628-5
SUPERCEDE BY 504646-1	BLUE	BEIGE	BLUE	YELLOW	125µm	502628-4
OBSOLETE	YELLOW	BLACK	BLACK	BLUE	127µm	502628-3
SUPERCEDE BY 504646-2	YELLOW	BLACK	BLACK	RED	126µm	502628-2
SUPERCEDE BY 504646-1	YELLOW	BLACK	BLACK	YELLOW	125µm	502628-1

1 MATERIAL:

BODY: THERMOPLASTIC
 INTERNAL BODY: ZINC
 CRIMP EYELET: COPPER
 STRAIN RELIEF: POLYPROPYLENE
 CAPILLARY: ZrO₂

2 FINISH:

INTERNAL BODY: ELECTROLESS NICKEL
 CRIMP EYELET: TIN

3. DIMENSIONS IN [] ARE IN INCHES.

STRAIN RELIEF COLOR	PLUG ASSY COLOR	CONN. HOUSING COLOR	COLOR DOT	FERRULE HOLE SIZE	PART NUMBER
---------------------	-----------------	---------------------	-----------	-------------------	-------------

DO NOT SCALE PRINT.
 UNLESS SPECIFIED
 DIMENSIONS IN mm
 TOLERANCES ON:
 2 PLC DEC ± -
 3 PLC DEC ± -
 ANGLES ± -

DR 9-20-90
 D C KNOWLDEN

CHK 10-5-90
 N MILLER

APPD 10-5-90
 D MULHOLLAND

APPD 10-5-90
 J EBERLE

PRODUCT SPEC

APPLICATION SPEC

WEIGHT -

AMP | AMP INCORPORATED
 Harrisburg, Pa. 17105

NAME
 SM CONNECTOR KIT, ZIRCONIA, AMP SC,
 OPTIMATE®

SIZE	FSCM NO	DRAWING NO
C	00779	502628
SCALE	NTS	SHEET
		1 OF 1

METRIC

502628

B

A