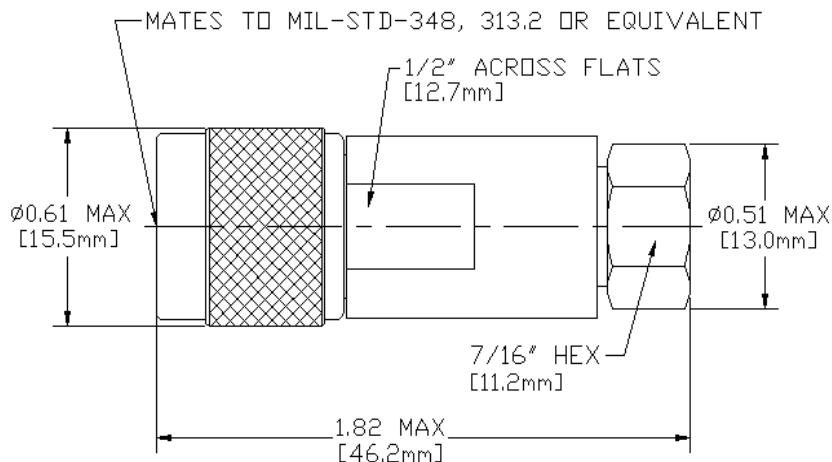


Connector

PRODUCT SPECIFICATION

F1PTM-C

TNC for FSJ1-50A, Superflexible Foam Dielectric Cable



CHARACTERISTICS

Components

Body	Brass Silver Plate
Inner Contact	Beryllium Copper Silver Plate
Insulator	PTFE
Gasket, Interface	Silicone Rubber
Coupling Nut	Brass Trimetal Plate
Snap Ring	Phosphor Bronze
Attachment Nut	Phosphor Bronze Silver Plate
Press Ring	Brass Silver Plate

Electrical

Recommended Maximum Operating Frequency, GHz	2.2
--	-----

Customer Support Center:

From North America: 1-800-255-1479
International: +1-708-873-2307

www.andrew.com

This Specification Sheet is for reference only and is subject to change without notice.

Copyright © 2002 by Andrew Corporation, Printed in U.S.A.
December 19, 200

Connector

PRODUCT SPECIFICATION

F1PTM-C

TNC for FSJ1-50A, Superflexible Foam Dielectric Cable

Electrical

Peak Power, max, kW	5.6	Connector Limited
Average Power, max, kW @ 900 MHz	0.30	Connector Limited
dc Test Maximum Voltage	1,500	Connector Limited
RF Operating Voltage, max, VRMS	530	Connector Limited
RF High Potential, max, VRMS	742	Connector Limited
Inner Contact Resistance	2.00	MilliOhms
Outer Contact Resistance	0.30	MilliOhms
3rd Order IM, Product Typical @ 910 MHz, -dBm	-110	
3rd Order IM Test Method	Two +43 dBm Carriers	
Insulation Resistance, min, MOhms	5,000	
Nominal Impedence, Ohms	50	
Cable Impedence, Ohms	50	
Insertion Loss, max, dB	0.05 $\sqrt{\text{frequency(GHz)}}$	
Connector Return Loss, dB		
0 - 1 GHz	35	
1 - 2.2 GHz	32	

Mechanical

Inner Attachment Method	Captivated
Outer Attachment Method	Self flare
Connector Weight, kg (lb)	0.040 (0.088)
Pressurizable	No
Coupling Nut Retention Force, N (lb)	444.8 (100.0)
Method	MIL-C-39012C-3.25, 4.6.22
Minimum Coupling Nut Torque, N-m (lb-in)	0.2 (1.8)
Minimum Connector Retention Tensile Force, N (lb)	45.4 (10.2)
Minimum Connector Retention Torque, N-m (lb-in)	1.4 (12.4)
Attachment Durability (Number of cycles)	500

Environmental

Operating Temperature Range, °C	-40 to 85
Storage Temperature Range, °C	-40 to 85

Customer Support Center:

From North America: 1-800-255-1479
International: +1-708-873-2307

www.andrew.com

This Specification Sheet is for reference only and is subject to change without notice.

Copyright © 2002 by Andrew Corporation, Printed in U.S.A.
December 19, 200