

## RF/Coaxial contacts for male connector housings\*

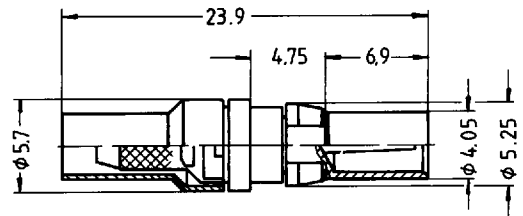
### Straight coaxial contact for cable connection †



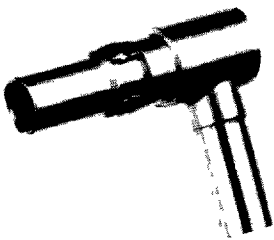
Ordering information

Quality class	
1	2
<b>594 207</b>	<b>594 208</b>

for cable types:  
RG 188 A/U, RG 174 A/U, RG 316 U,  
RG 179 B/U, RG 187 A/U



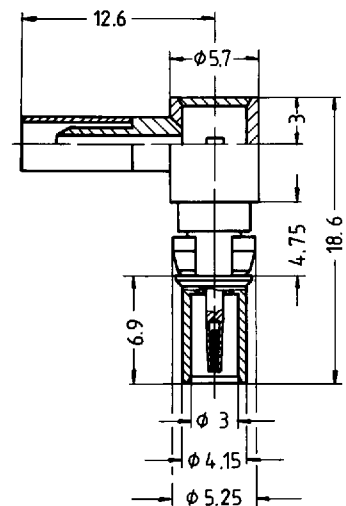
### Right-angled coaxial contact for cable connection †



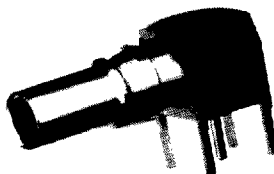
Ordering information

Quality class	
1	2
<b>594 209</b>	<b>594 210</b>

for cable types:  
RG 188 A/U, RG 174 A/U, RG 316 U,  
RG 179 B/U, RG 187 A/U



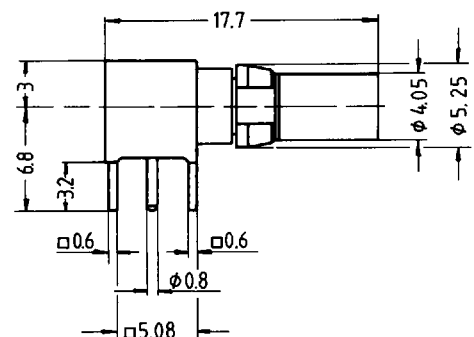
### Right-angled coaxial contact for PCB solder



Ordering information

Quality class	
1	2
<b>594 211</b>	<b>594 212</b>

5 solder connections  
For mounting holes  
see Fig. 3 on Page 14



\* Other styles available – please consult factory  
† Soldered inner conductor, crimped outer ferrule – see page 10

## Special contacts

### Electrical and mechanical characteristics

#### RF/Coaxial contacts

Outer conductor	Cu Zn 39 Pb 2
Sprung contact part	Cu Be hardened
Insulation part	PTFE
Crimp sleeve	Cu
Retaining clip	Cu Be hardened
Wave impedance	50 $\Omega$ *
Test voltage 50 Hz	750 V <sub>eff</sub>
Insulation resistance	$\geq 10^{12}$ $\Omega$
Volume resistance	$\leq 6$ m $\Omega$
Inner conductor resistance	$\leq 3$ m $\Omega$
Outer conductor resistance	
Working frequency	max. 30 GHz.
Reflection factor	max. 0.05 to 1 GHz. max. 0.07 to 4 GHz. max. 0.10 to 10 GHz.
Temperature range	-65° ... + 165° C

\* 75 $\Omega$  contacts available – please consult factory

#### High-current contacts

Male contact	Cu Zn 39 Pb 2
Female contact	Cu Be hardened
Retaining clip	Cu Be hardened
Current-carrying capacity	30 A at 70° C
Test voltage 50 Hz	2500 V <sub>eff</sub>
Volume resistance	$\leq 1$ m $\Omega$
Temperature range	-55° ... + 125° C

## Quality classes

#### Coaxial contacts

- 1 Meets the requirements of MIL-STD 202 and BS 9525 F 0011. Internal conductor and external conductor gold plated. 500 mating cycles.
- 2 As quality class 1 but 400 mating cycles.

#### High-current contacts

- 1 Meets the requirements of MIL-STD 202 and BS 9525 F 0011. Contacts are gold-plated. 500 mating cycles.
- 2 As quality class 1 but 400 mating cycles.